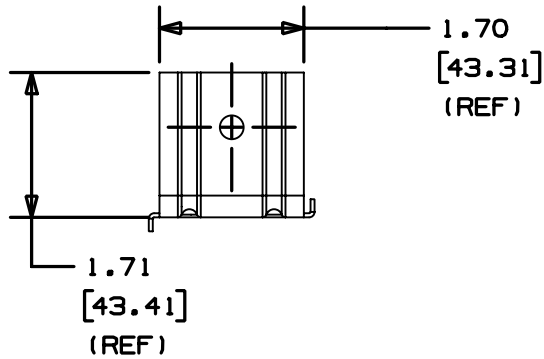


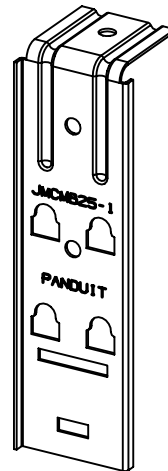
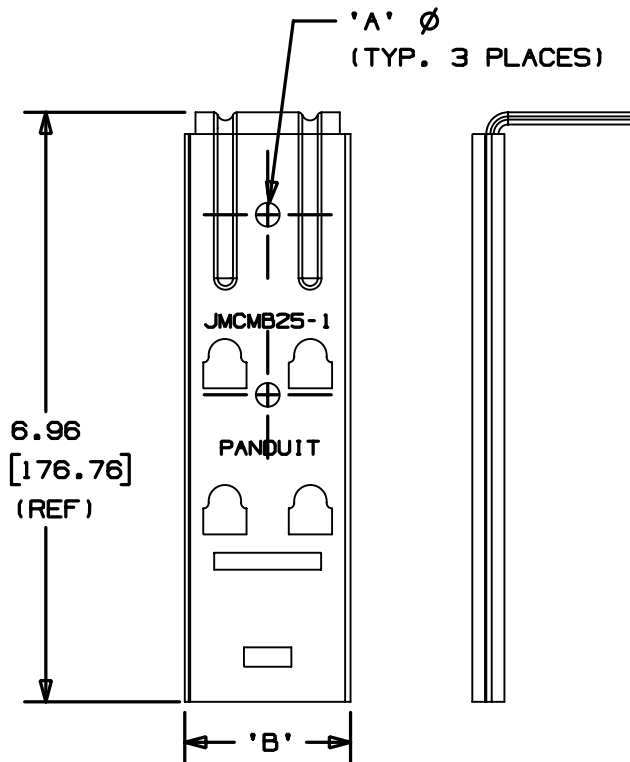
THIS COPY IS PROVIDED ON A RESTRICTED BASIS AND IS NOT TO BE USED IN ANY WAY DETRIMENTAL TO THE INTERESTS OF PANDUIT CORP.



PANDUIT PART NO.	DIMENSIONS		WEIGHT lbs / 10 (g) / pcs
	'A'	'B'	
JMCMB25-1--	0.28 (7.14)	1.96 (49.73)	2.28 (1034)

NOTES:

1. SEE CURRENT PRICE SHEET FOR PART NUMBER SUFFIX DESIGNATION FOR PACKAGE SIZE.
2. MATERIAL TO BE 18 Ga. (0.048") PRE-GALVANIZED STEEL.
3. RATED STATIC LOAD: 180 lbs. (81.65kg)
4. JMCMB25-1 IS DESIGNED TO RECEIVE THE JMCB CHAINING BRACKET FOR CABLE MANAGEMENT LEVEL EXTENSIONS. MAXIMUM RECOMMENDED LEVEL EXTENSIONS: 2.
5. TWO JMZH2 JHOOK PRODUCTS WILL MOUNT IN A BACK-TO-BACK CONFIGURATION TO THE JMCMB25-1.



DIMENSIONS IN BRACKETS ARE METRIC [mm]	
CAD FILENAME/LAYERS G02672DH_PB_JMCMB251_00	
PANDUIT CORP. TINLEY PARK, ILLINOIS	
JMOD SINGLE LEVEL BRACKET (JMCMB25-1--)	
UNLESS OTHERWISE SPECIFIED, DIMENSIONAL TOLERANCES ARE: (.X) ±0.05 (1.3) (.XXX) ±0.010 (0.25) (.XX) ±0.02 (0.5) ANGLES ± 5°	UNLESS OTHERWISE SPECIFIED, ALL DIMENSIONS ARE GIVEN IN INCHES, THIRD ANGLE PROJECTION.
DRAWN BY JAD	MAT'L: NONE
DATE 3/7/03	SEE NOTE 2
CHK'D	DWG NO. GB2672DH
	SIZE A

REV	DATE	BY	CHK	DESCRIPTION	ECN	R	CUST	SUP
R	3/7/03	JAD		INITIAL RELEASE	GB2672DH	R		