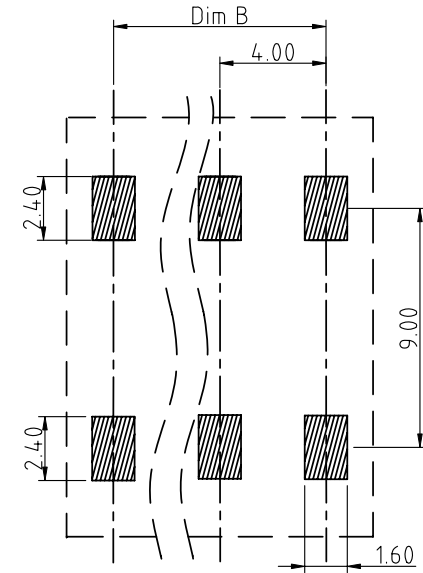
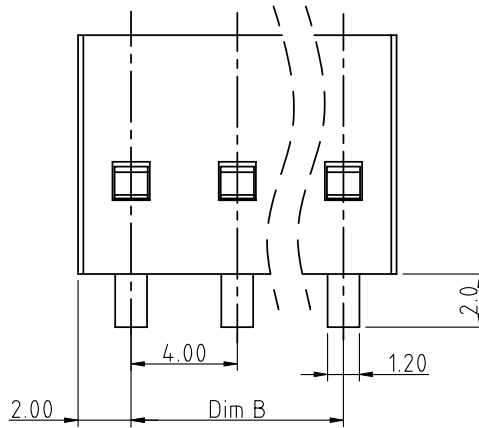
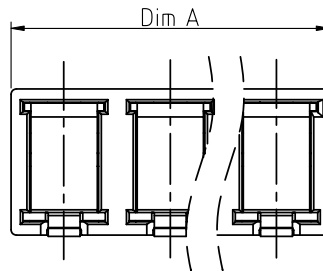
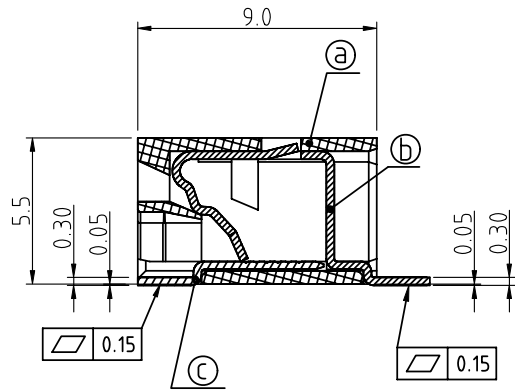


PRODUCT NUMBER	PITCH
NQxx21x000J0G	4.00 mm



RECOMMENDED P.C.B LAYOUT



Material:

- Item ① Terminal housing: LCP (UL94V-0)
- Item ② Long solder pin: Copper alloy, Matte Tin plated
- Item ③ Short solder pin: Copper alloy, Matte Tin plated

Electrical

- | | |
|--|-----------------|
| UL (UL 1977) | cULus (UL 1977) |
| ● Voltage rating: 300VAC | 300VAC |
| ● Current rating: 9A | 5A |
| ● Wire range: | |
| ● Solid wire (AWG): 18-24 | |
| ● Tin Dipped Stranded wire(AWG): 18-24 | |
| ● Wire strip length: 6-7mm | |
| ● Withstanding Voltage: 1.6KV | |
| ● Operating temperature: -45°C to +130°C | |
| ● Reflow soldering temperature: 260°C/10 Sec Max | |
| ● Safety Approval: | |

N=Number of poles

Dim A	N×4.0
Dim B	(N-1) × 4.0

POLES	Tolerance
2P - 3P	±0.20

PART NO.: NQ xx 2 1 x 0 00J0 G

- No. of poles: 02 2 poles, 03 3 poles
- Solid block
- color: 0: Black(RAL9005), 1 Natural color, 8: Grey (RAL7044)
- RoHS compliant (lead<4%) In copper Alloy

mat'l. code		surface ASME Y14.5 ✓	tolerance ASME Y14.5	projection	product family	
ltr	ecn no	dr	date		TERMINAL BLOCK	
B	T-21474	HF	072015		title	
tolerances unless otherwise specified					TERMINAL BLOCK	
angles					SPRING CLAMP, SMT TYPE	
X°±1°				scale	size	
dr HANKE FENG 071614					sheet 1 of 1	
enr HANKE FENG 071614					NQxx21x000J0G	
chr HANKE FENG 071614					A4	
appd SHI JUN 071614					CUSTOMER Drawing	
sheet index	revision	B	1			