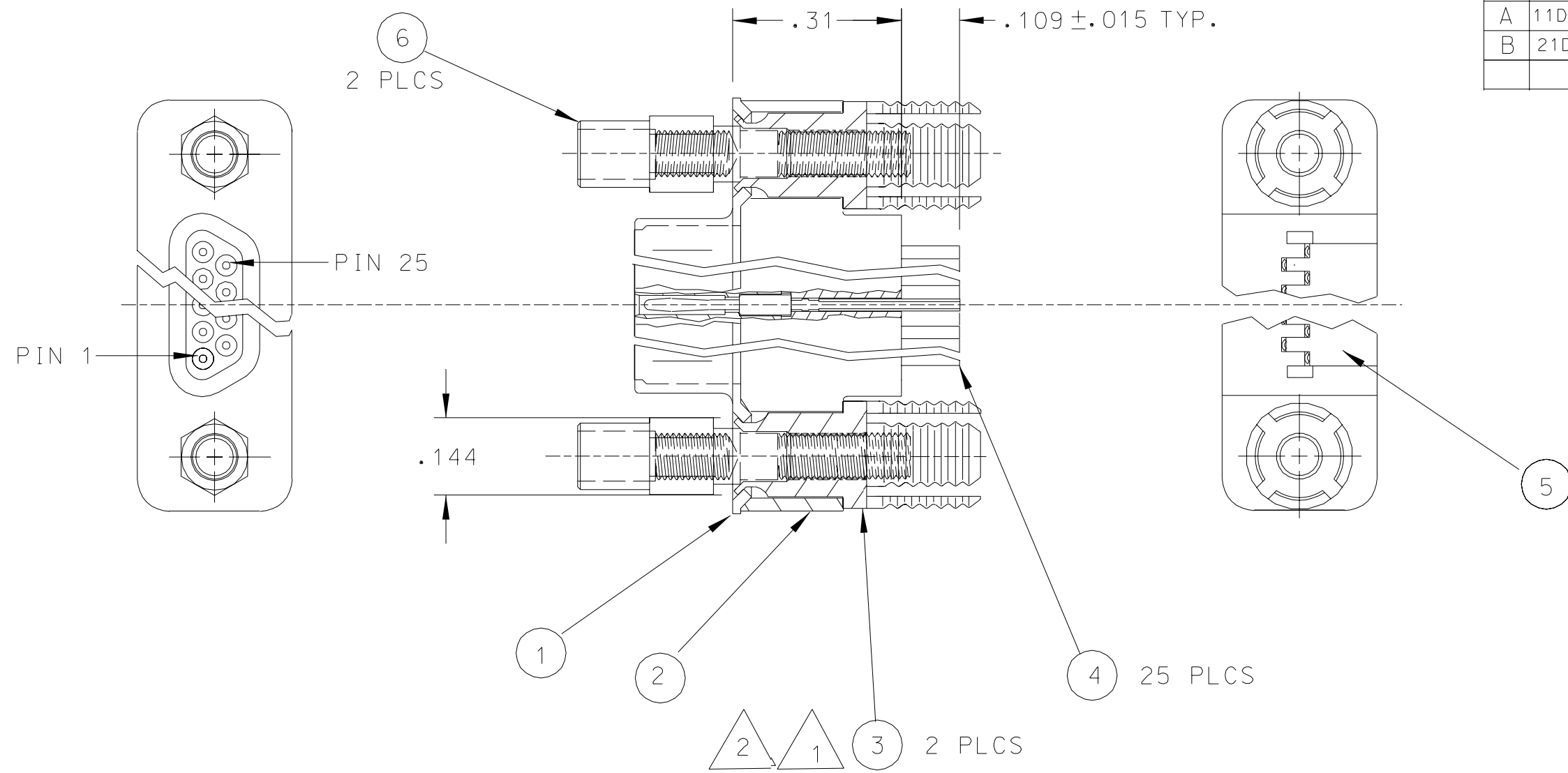





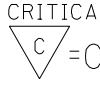
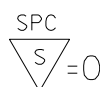
REV	DATE	ECN NO.	APPVD BY	REL BY
A	11DEC00	UM2001-0178		
B	21DEC00	UM2001-0188		



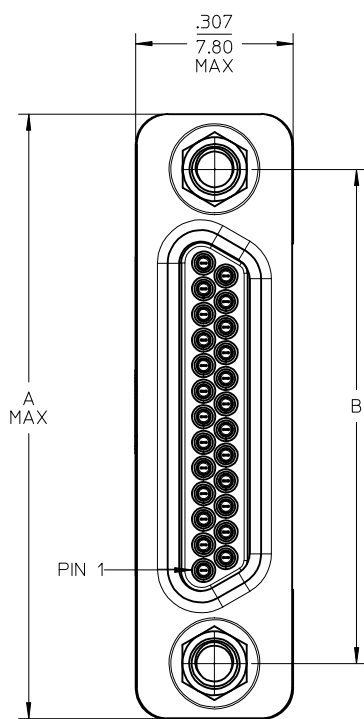
QTY	MATERIAL NO.	DESCRIPTION	ITEM
2	830410005	JACKPOST, 2-56 THREAD	6
1	830100094	CONTACT RETAINER	5
25	830009006	CONTACT, PIN, PCB	4
2	830410078	JACKPOST RETAINER w/BOARD LOCK	3
1	830100092	INSULATOR, STRAIGHT, SIZE 25	2
1	830150022	PLUG SHELL, SIZE 25 STAMPED	1

 AFTER SWAGING, ITEM 3 TO WITHSTAND 40 IN-OZ OF TORQUE WITH NO INDICATION OF MOVEMENT
 SWAGE ITEM 3 INTO ITEM 1 TO WITHSTAND 5 LB AXIAL PULL OFF FORCE ON ITEM 3.

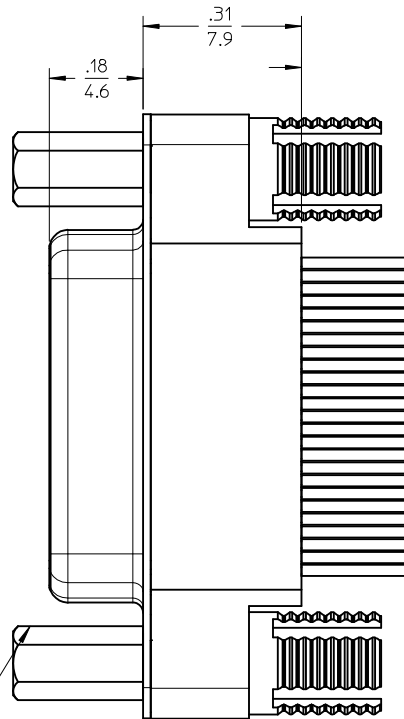
NOTES: UNLESS OTHERWISE SPECIFIED.

QUALITY SYMBOLS MAJOR  =0 CRITICAL  =0 SPC  =0	UNLESS SPECIFIED: ALL DIMENSIONS IN INCHES GENERAL TOLERANCES: 3 PLACES ± .005 2 PLACES ± .010 ANGULAR ± 2°	SCALE NONE DWG SIZE B DRAWN BY & DATE AW 12/11/00 CHECKED BY & DATE AW 12/11/00 APPROVED BY & DATE	THIRD ANGLE PROJECTION REVISE ON CAD ONLY TITLE: CONNECTOR, COMMERCIAL-D, PLUG, VERTICAL, JACKPOST, SIZE 25 MOLEX INCORPORATED Orange, CA 92868	
	Uti-Mate CAGE CODE 58967	PART NO. 836149016	DRAWING NO. E-83614-9016	SHEET NO. 1 OF 1
	THIS DRAWING CONTAINS INFORMATION THAT IS PROPRIETARY TO MOLEX INCORPORATED AND SHOULD NOT BE USED WITHOUT WRITTEN PERMISSION.			REV B

10	9	8	7	6	5	4	3	2	1
PART NUMBER	SIZE	A MAX.	B NOM.	C REF.	D NOM.				
836149016	25	1.185	.965	.600	.965				



2-56 JACKPOST
2 PLACES

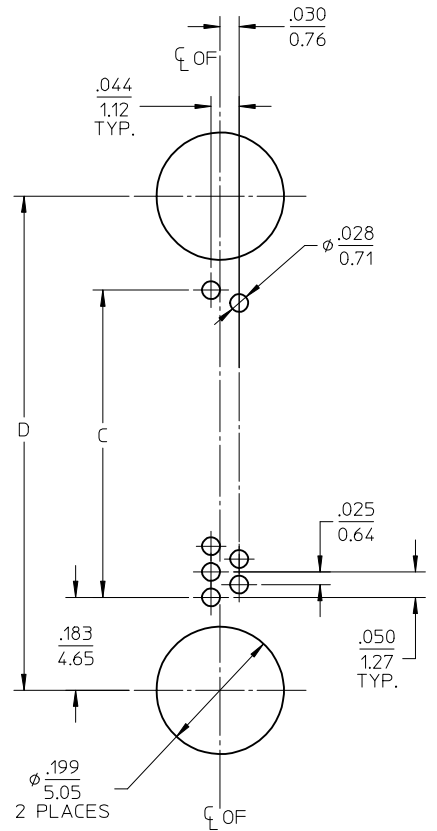


.207 ±.015 TYP
5.25 ±.038

.025 / 0.64

.050 TYP
1.27

.043 TYP
1.10



RECOMMENDED
P.C.B. LAY-OUT
.060/1.52 PANEL THICKNESS

2. ROHS COMPLIANT
1. REFER TO PS-83421-9000 FOR PRODUCT SPECIFICATION.
NOTES: UNLESS OTHERWISE SPECIFIED.

REDRAWN EC NO: WNA2009-0562 DRWN: RUPERT 2009/03/25 CHKD: APPR: JEMURPHY 2009/07/08 REV A	QUALITY SYMBOLS	GENERAL TOLERANCES (UNLESS SPECIFIED)	DIMENSION STYLE IN/MM	SCALE 4:1	DESIGN UNITS INCH	THIRD ANGLE PROJECTION																																
	$\nabla=0$ $\text{C}=0$	<table border="1"> <thead> <tr> <th></th> <th>mm</th> <th>INCH</th> </tr> </thead> <tbody> <tr> <td>4 PLACES</td> <td>± ---</td> <td>± ---</td> </tr> <tr> <td>3 PLACES</td> <td>± ---</td> <td>± .005</td> </tr> <tr> <td>2 PLACES</td> <td>± 0.13</td> <td>± .010</td> </tr> <tr> <td>1 PLACE</td> <td>± 0.25</td> <td>± ---</td> </tr> </tbody> </table>		mm	INCH	4 PLACES	± ---	± ---	3 PLACES	± ---	± .005	2 PLACES	± 0.13	± .010	1 PLACE	± 0.25	± ---	<table border="1"> <thead> <tr> <th>DRAWN BY</th> <th>DATE</th> <th>TITLE</th> </tr> </thead> <tbody> <tr> <td>D. URBACH</td> <td>230CT00</td> <td rowspan="2">CONN, COMM-D, PLUG, VERT JACKPOST, SIZE 25</td> </tr> <tr> <td>CHECKED BY</td> <td>DATE</td> </tr> <tr> <td>D. URBACH</td> <td>230CT00</td> <td></td> </tr> <tr> <td>APPROVED BY</td> <td>DATE</td> <td></td> </tr> <tr> <td>D. URBACH</td> <td>230CT00</td> <td></td> </tr> </tbody> </table>	DRAWN BY	DATE	TITLE	D. URBACH	230CT00	CONN, COMM-D, PLUG, VERT JACKPOST, SIZE 25	CHECKED BY	DATE	D. URBACH	230CT00		APPROVED BY	DATE		D. URBACH	230CT00		MOLEX INCORPORATED	DOCUMENT NO.	SHEET NO.
		mm	INCH																																			
	4 PLACES	± ---	± ---																																			
3 PLACES	± ---	± .005																																				
2 PLACES	± 0.13	± .010																																				
1 PLACE	± 0.25	± ---																																				
DRAWN BY	DATE	TITLE																																				
D. URBACH	230CT00	CONN, COMM-D, PLUG, VERT JACKPOST, SIZE 25																																				
CHECKED BY	DATE																																					
D. URBACH	230CT00																																					
APPROVED BY	DATE																																					
D. URBACH	230CT00																																					
DRAFT WHERE APPLICABLE MUST REMAIN WITHIN DIMENSIONS	ANGULAR ± 2 °	SEE CHART		SD-83614-9016	1 OF 1																																	
			THIS DRAWING CONTAINS INFORMATION THAT IS PROPRIETARY TO MOLEX INCORPORATED AND SHOULD NOT BE USED WITHOUT WRITTEN PERMISSION																																			