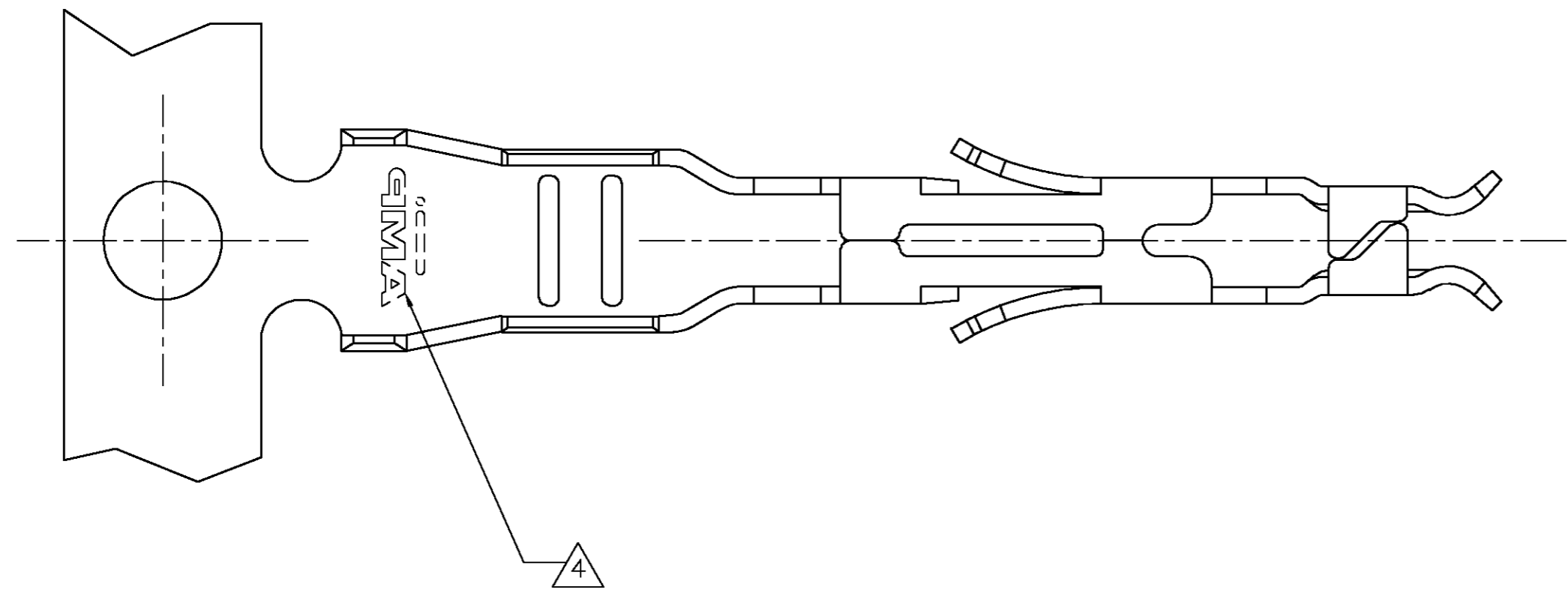
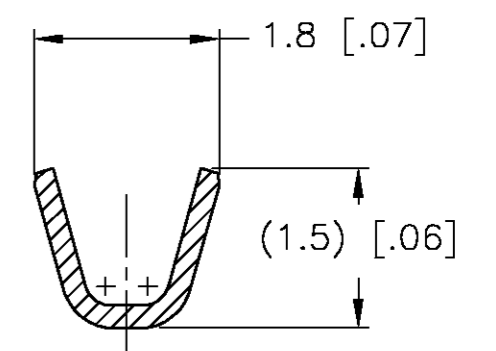
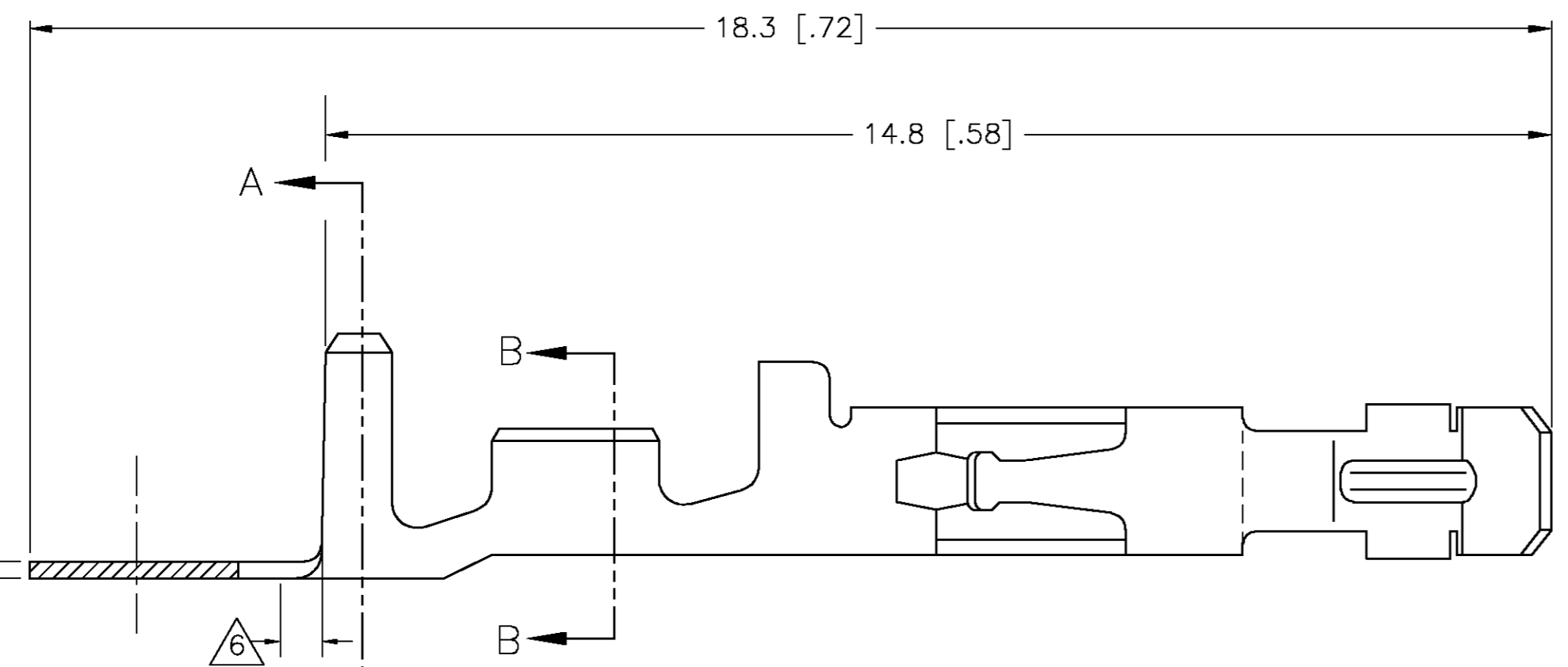


THIS DRAWING IS UNPUBLISHED. RELEASED FOR PUBLICATION  
 © COPYRIGHT BY TYCO ELECTRONICS CORPORATION. ALL RIGHTS RESERVED.

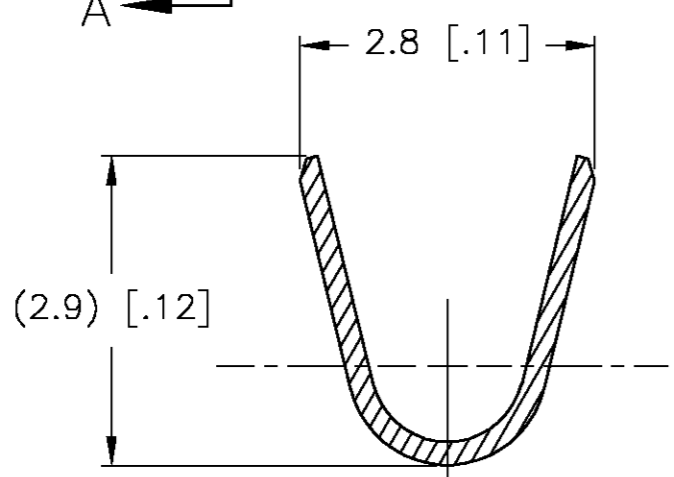
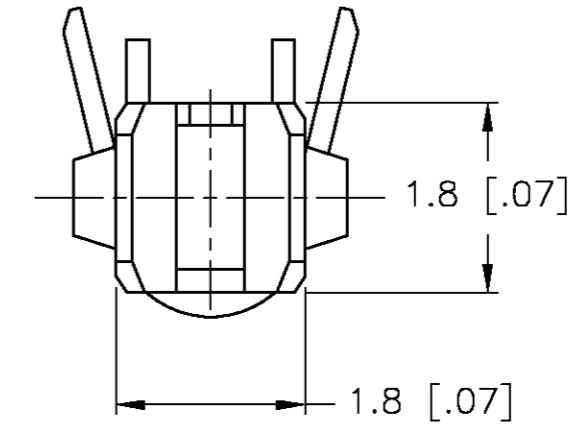
LOC		DIST		REVISIONS			
P	LTR	DESCRIPTION		DATE	DWN	APVD	
CM	00	G		REVISED PER 0G3B-0888-03	29-JAN-04	SH DC	



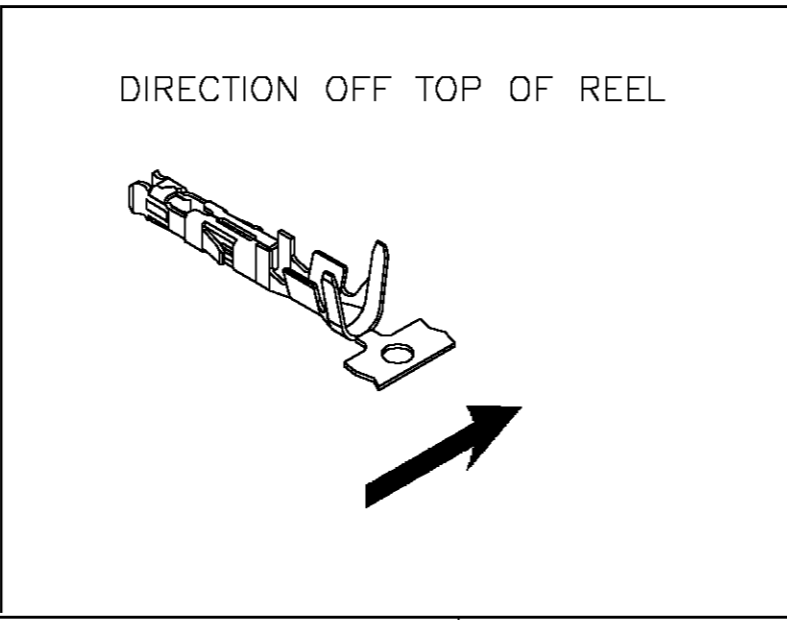
- HAND TOOL PART NUMBER 734202-3
- EXTRACTION TOOL PART NUMBER 188688-1
- LOOSE PIECE CONTACT
- AMP TRADEMARK
- MATERIAL PHOSPHOR BRONZE PRETINNED 1-3μm
- CUT OFF DIMENSION FOR LOOSE PIECE CONTACT 0.5 [.02] MAXIMUM.
- WIRE RANGE: 0.12-0.35mm<sup>2</sup> [.005-.014in<sup>2</sup>], (22-26 AWG).
- INSULATION RANGE: 1.20-1.75 [.050-.070] DIAMETER.



SECTION B-B  
SCALE 14:1



SECTION A-A  
SCALE 14:1



**METRIC**

3	PRETINNED	PHOSPHOR BRONZE	1-106528-2
	PRETINNED	PHOSPHOR BRONZE	106528-2
	FINISH	MATERIAL	PART NUMBER

THIS DRAWING IS A CONTROLLED DOCUMENT.

DIMENSIONS: mm [INCHES]	TOLERANCES UNLESS OTHERWISE SPECIFIED: 0 PLC ± 1 PLC ± 2 PLC ± 0.10 [.004] 3 PLC ± 4 PLC ± ANGLES ± ±	DWN S. HOOVER 29-JAN-2004 CHK D. COLEY 29-JAN-2004 APVD D. COLEY 29-JAN-2004	Tyco Electronics Corporation Harrisburg, Pa 17105-3608
MATERIAL SEE CHART	FINISH SEE CHART	APPLICATION SPEC	NAME SOCKET CONTACT AMP-DUAC™
CUSTOMER DRAWING		WEIGHT	RESTRICTED TO
SCALE 14:1		SIZE A2 CAGE CODE 00779 DRAWING NO G-106528	SHEET 1 OF 1 REV G