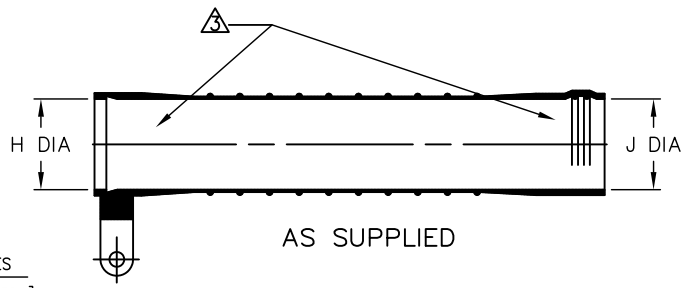
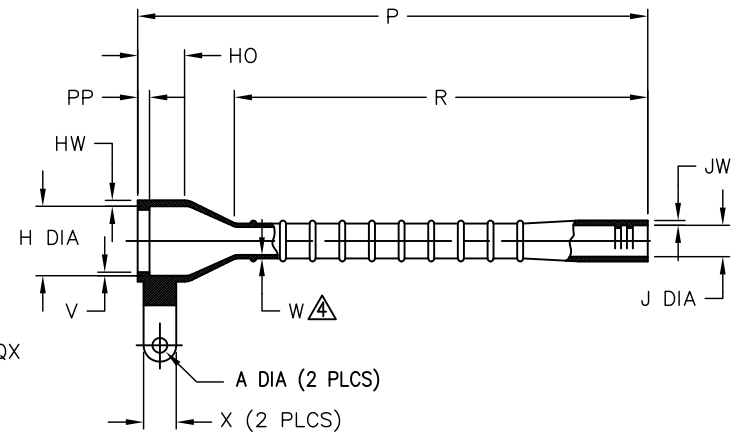
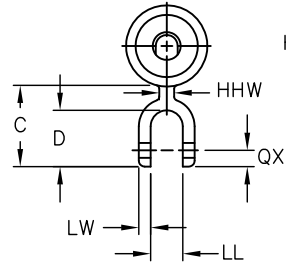


REVISIONS		
LTR	DESCRIPTION	DATE
E	REVISED PER ECO-11-002238	01/31/2011



AS SUPPLIED



AFTER UNRESTRICTED RECOVERY

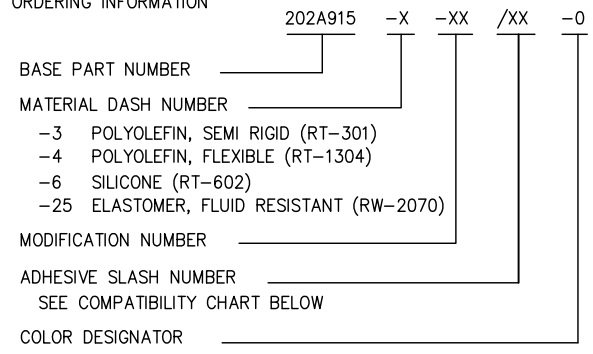
NOTES:

- ALL DIMENSIONS ARE IN INCHES
[MILLIMETERS]
- DIMENSIONS APPEARING IN TABLE ARE AS FOLLOWS:
a - AS SUPPLIED
b - AFTER UNRESTRICTED RECOVERY

3. COATING (ADHESIVE): IS OPTIONAL AS SUPPLIED DIMENSIONS APPEARING IN TABLE ARE FOR UNCOATED PARTS. WHEN COATING IS ADDED, ENTRY DIAMETER WILL BE REDUCED BY .06 [1.5] MAX.

4. "W" DIMENSION APPLIES IN RIBBED AREA OF PART ONLY.

5. ORDERING INFORMATION



If this document is printed it becomes uncontrolled. Check for the latest revision

TABLE OF DIMENSIONS

PART DESCRIPTION	H		J		P	R	HW	HO	HHW	JW	W	LL	LW	QX
	MIN	MAX	MIN	MAX	±10%	REF	±20%	REF	REF	±20%	±20%	±10%	REF	REF
202A915	1.53 [38,9]	1.17 [29,7]	1.53 [38,9]	.47 [11,9]	9.00 [228,6]	7.35 [186,7]	.10 [2,54]	.86 [21,8]	.25 [6,35]	.08 [2,03]	.06 [1,51]	.54 [13,7]	.18 [4,57]	.28 [7,1]
	C	PP	D	X	A	V								
	REF	REF	±10%	±10%	±10%	±20%								
	b	b	b	b	b	b								
	1.35 [34,3]	.20 [5,08]	.95 [24,1]	.55 [13,9]	.25 [6,25]	.04 [1,01]								

CUSTOMER DRAWING

COMPATIBILITY CHART		
MATERIAL DASH NO.	ADHESIVE (COATING) SLASH NUMBER	ADHESIVE (COATING) S NUMBER
-3	/42; /86	S-1017; S-1048
-4	/42; /86	S-1017; S-1048
-6	N/A	N/A
-25		

UNLESS OTHERWISE SPECIFIED DIMENSIONS ARE INCHES. METRIC DIMENSIONS ARE IN BRACKETS. DECIMAL TOLERANCES .XXX ± 0.005 [0.13 mm] .XX ± 0.01 [0.25 mm] .X ± 0.1 [0.50 mm] ANGLE TOLERANCE .X ± 1 DEG.	DRAWN UNGUYEN	 Raychem Molded Parts 305 Constitution Dr Menlo Park, CA 94025
APPROVED DHURRELL	TITLE BOOT, STRAIGHT, WITH LIP	
THIRD ANGLE PROJECTION 	SIZE B	CODE IDENT. NO. 06090
TYCO ELECTRONICS RESERVES THE RIGHT TO AMEND THIS DRAWING AT ANY TIME. USERS SHOULD EVALUATE THE SUITABILITY OF THE PRODUCT FOR THEIR APPLICATION.	DWG. NO. 202A915	
© 2007-2011 Tyco Electronics Corporation. All rights reserved.		DO NOT SCALE THIS DRAWING
		SHEET 1 OF 1