

# Spezifikation für Freigabe / specification for release

Kunde / customer :

Artikelnummer / part number :

**7497010211A**

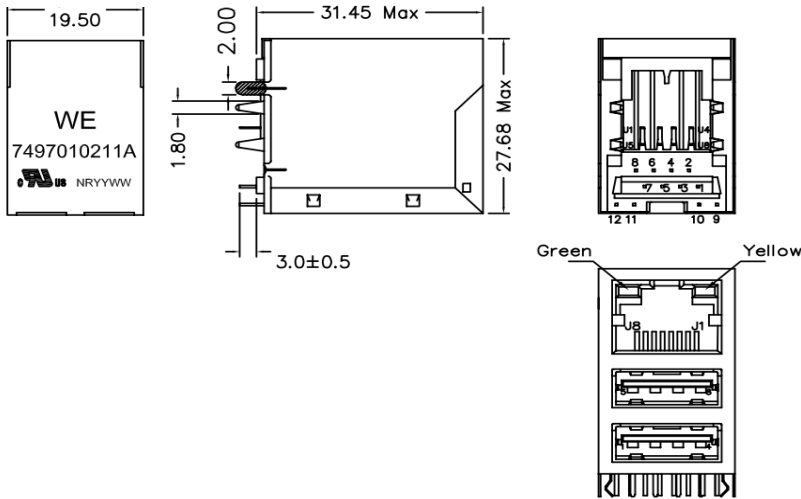


Bezeichnung : LAN-Übertrager WE-RJ45LAN 10/100 BaseT + USB

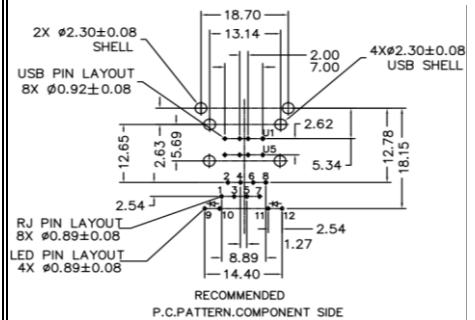
description : LAN-Transformer WE-RJ45LAN 10/100 BaseT + USB

DATUM / DATE : 2012-06-18

## A Mechanische Abmessungen / dimensions :



## B Lötpad / soldering spec. :



## C Elektrische Eigenschaften / electrical properties :

Eigenschaften / properties	Testbedingungen / test conditions		Wert / value	Einheit / unit	tol.
Induktivität / Inductance	100kHz / 100mV @ 8mA DC-Bias	OCL	350	µH	min.
Übersetzungsverhältnis / Turns ratio	100kHz / 100mV	TR	1 : 1		3%
Insertion Loss	1-100MHz	IL	-1,0	dB	max.
Return Loss	1-30MHz @ 100Ω	RL	-16	dB	min.
	30-60MHz @ 100Ω		-14		
	60-80MHz @ 100Ω		-12		
	80-100MHz @ 100Ω		-10		
Common Mode Rejection	1-100MHz	CMR	-30	dB	min.
Crosstalk	1-100MHz	CT	-30	dB	min.

## D Prüfgeräte / test equipment :

HP4395A

## E Testbedingungen / test conditions :

Luftfeuchtigkeit / humidity: 33%  
Umgebungstemperatur / temperature: +25°C

## F Werkstoffe & Zulassungen / material & approvals :

Basismaterial / base material: Ferrit/ ferrite  
 Draht / wire: 4UEW 180°C  
 Kontaktmaterial/ contact plating: 100% tin w. nickel underplating  
 30µ"gold plating on contact area  
 Gehäuse / housing: Thermoplastic UL-94V0  
 LED: 2.0 V/ 20mA  
 Shield: 30µ" nickel over 0.01" cooper alloy

## G Eigenschaften / general specifications :

Betriebstemp. / operating temperature: 0°C - + 70°C  
 Hochspannungsprüfung / Hipot test: 1500Vrms 1min.  
 Geeignet für 10/100Base-TX gemäß IEEE 802.3u /  
 Compliant with IEEE 802.3u for 10/100Base-TX-Applications

Freigabe erteilt / general release:	Kunde / customer			
	Datum / date	Unterschrift / signature		
	Würth Elektronik			
		Mle	Revision 01	2012-06-18
		Mle	Revision 00	2012-04-01
Geprüft / checked	Kontrolliert / approved	Name	Änderung / modification	Datum / date

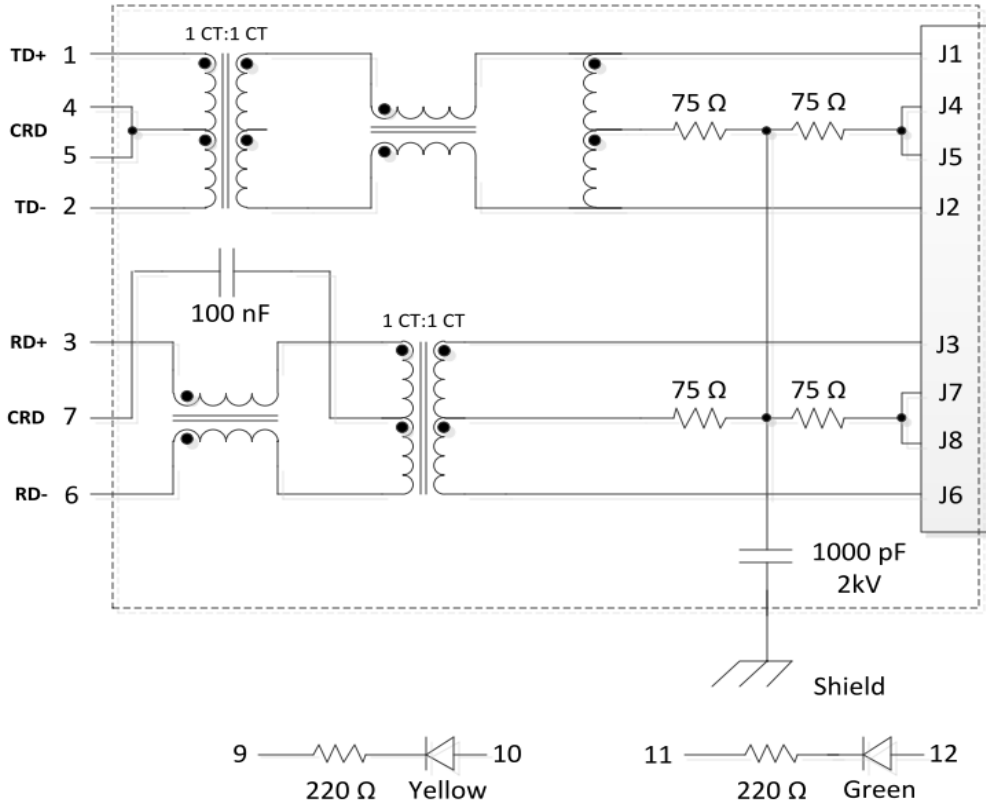
**Spezifikation für Freigabe / specification for release**

Kunde / customer :  
 Artikelnummer / part number : **7497010211A**  
 Bezeichnung : **LAN-Übertrager WE-RJ45LAN 10/100 BaseT + USB**  
 description : **LAN-Transformer WE-RJ45LAN 10/100 BaseT + USB**



DATUM / DATE : 2012-06-18

**H Schaltbild / Schematics :**



Freigabe erteilt / general release:	<b>Kunde / customer</b>		
.....	.....		
Datum / date	<b>Würth Elektronik</b>		
.....	.....		
Geprüft / checked	Kontrolliert / approved	Mle	Revision 01 2012-06-18
		Mle	Revision 00 2012-04-01
		Name	Änderung / modification Datum / date

**Würth Elektronik eiSos GmbH & Co.KG**

# Spezifikation für Freigabe / specification for release

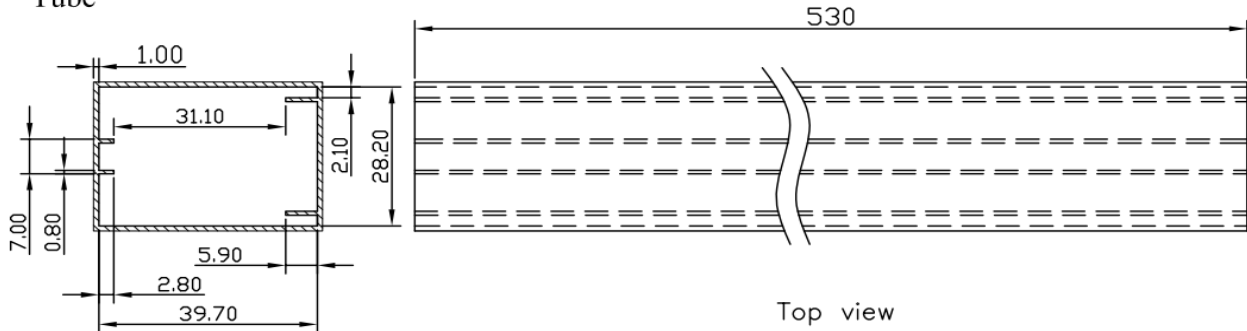
Kunde / customer :  
 Artikelnummer / part number : **7497010211A**  
 Bezeichnung : **LAN-Übertrager WE-RJ45LAN 10/100 BaseT + USB**  
 description : **LAN-Transformer WE-RJ45LAN 10/100 BaseT + USB**



DATUM / DATE : 2012-06-18

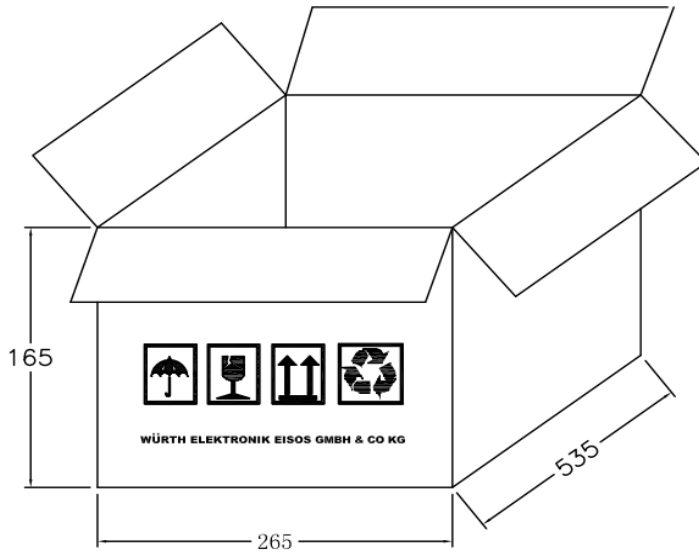
## I Verpackungsspezifikation / package specification :

### Tube



Profile view

### Carton



### Package Quantity:

tube= 26pcs  
 carton= 780pcs

### dimensions in mm

Freigabe erteilt / general release:	<b>Kunde / customer</b>			
.....	.....			
Datum / date	Unterschrift / signature			
.....	<b>Würth Elektronik</b>			
.....	.....	Mle	Revision 01	2012-06-18
Geprüft / checked	Kontrolliert / approved	Mle	Revision 00	2012-04-01
.....	.....	Name	Änderung / modification	Datum / date

This electronic component has been designed and developed for usage in general electronic equipment. Before incorporating this component into any equipment where higher safety and reliability is especially required or if there is the possibility of direct damage or injury to human body, for example in the range of aerospace, aviation, nuclear control, submarine, transportation, (automotive control, train control, ship control), transportation signal, disaster prevention, medical, public information network etc, Würth Elektronik eiSos GmbH must be informed before the design-in stage. In addition, sufficient reliability evaluation checks for safety must be performed on every electronic component which is used in electrical circuits that require high safety and reliability functions or performance.

### Würth Elektronik eiSos GmbH & Co.KG

D-74638 Waldenburg · Max-Eyth-Straße 1 - 3 · Germany · Telefon (+49) (0) 7942 - 945 - 0 · Telefax (+49) (0) 7942 - 945 - 400  
<http://www.we-online.com>