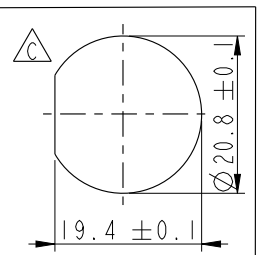
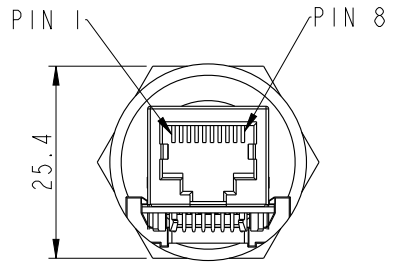
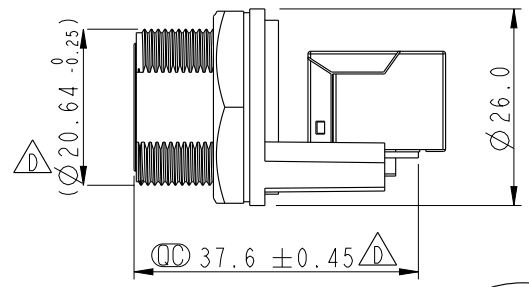
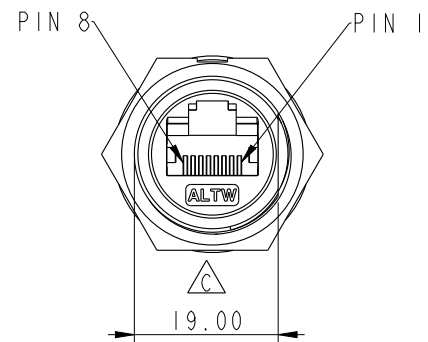
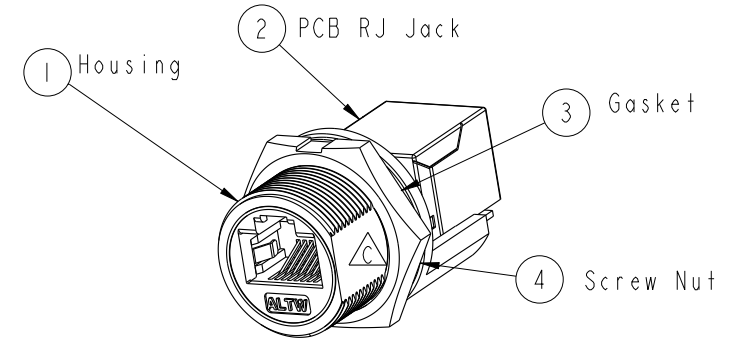
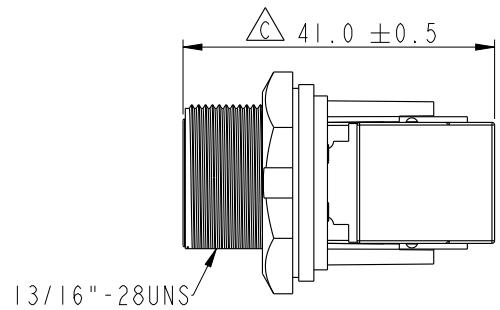
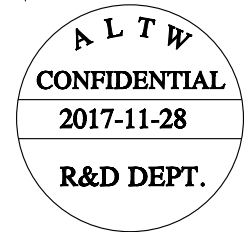


REV.	ECN NO.	DATE	SIGN	DESCRIPTION
C	LEN1440106	2014-04-10	Tom_gu	Change H Cut To D Cut
D	LEN1810036	2017-11-28	Jalam	Change The Tolerance



Recommended Panel Cut-out Rear View



- Note:
- * CC Important Dimension
 - * Waterproof Rate : IP67 Unmated
 - * Housing : Nylon+GF,UL 94V-0,BLACK
 - * Screw Nut : Nylon+GF,BLACK
 - * Gasket : Silicone,UL 94V-0,Gray.
 - * PCB: FR-4
 - * Jack : PBT Polyester UL 94V-0
 - * Use without Waterproof cap or Dust cap For Panel Thickness Max: 4.2mm
 - * Use with Waterproof cap or Dust cap For Panel Thickness Max: 3.0mm
 - * Screw torsion value range: 8~12kgf-cm

UNIT: mm		TITLE RJ45,C SIZE,WATERPROOF			ITEM NO RCP-5SPFFH-SCU7001	DRAWN BY Jalam	DATE 2017-11-28
		TOLERANCE .X ±0.25 .XX ±0.1 .XXX ±0.05 ANGLES ±1°	SCALE 1:1	SIZE A4	SHEET 1 OF 1	DWG NO RCP-5SPFFH-SCU7001	CHECKED BY Feng_Li
		REV. D	WC-REV. C.2	CC : Inspection item	CUSTOMER ALTW	APPROVED BY Jerry	DATE 2017-11-28

Amphenol LTW
安費諾亮泰企業股份有限公司

THIS DOCUMENT IS SUBJECT TO CHANGE WITHOUT NOTICE. IT IS CONFIDENTIAL AND A PROPERTY OF AMPHENOL LTW. DISCLOSURE TO THIRD PARTY HAS TO BE AUTHORIZED BY AMPHENOL LTW.