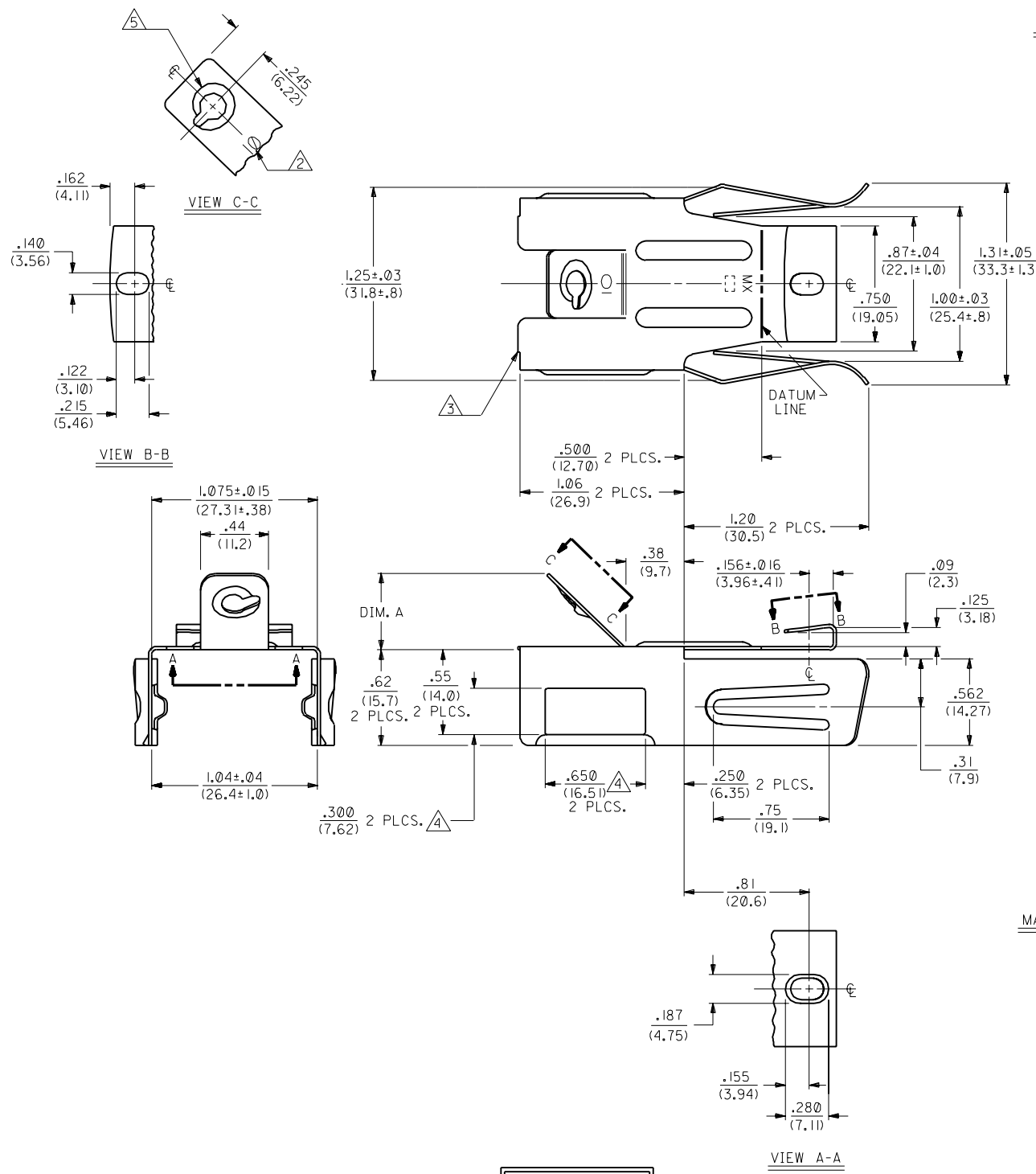


NOTES:

- 1. THESE MOUNTING CLIPS ARE FOR HOLDING THE 2481 SERIES HOUSINGS TO THE MAIN PANEL TOPS OF ELECTRIC RANGES.
- △1 SCREW SIZE INDICATION.
- △2 .015/(.38) MAXIMUM CUT OFF.
- △4 .010/(.25) MAXIMUM MISMATCH.
- △5 THREAD FORM FOR A #10-32 SCREW.
- △6 THIS SURFACE MAY BE FORMED IN THIS DIRECTION A MAXIMUM OF 5°.



MATERIAL:

STEEL, STAINLESS, TYPE 301, .020/(.5) THICK.

AC	OBSOLETED P/N UCR2002-0255 01/9/12 COMERCI
AB2	REMOVED NOTCH UCR2000-0104 8/11/99 COMERCI
AB1	REV. RADII UCR2000-0086 8/05/99 COMERCI
AB	REVISED UCR 1999-0818 6/03/99 ELHAG
AA	REVISED ECN U4 0744 6/16/94 RHR
Z	REVISED ECN U4 0213 2/14/94 RHR
Y	REVISED ECN U3 0739 5/13/93 RHR
X	REDRAWN & REDIM. ECN U2 1712 11/25/92 RHR

3	AB
2	Z
1	AC

DIMENSIONS SHOWN (METRIC) INCH
UNLESS OTHERWISE SPECIFIED TOLERANCES ANGULAR ± DBC 5°

3 PLACE ± .010	---
2 PLACE ± .014	± 0.25
1 PLACE ---	± 0.35

DRAFT WHERE APPLICABLE MUST REMAIN WITHIN DIMENSIONS

DRWG. BY: RHR CHK'D BY: ESS
APP'D BY: RAS SCALE: 2: 1

FILE NAME: SD2589X1.DWG
MOLX INC. AND SHOULD NOT BE USED WITHOUT WRITTEN PERMISSION

PART NO. SD-2589-1
DRWG. NO. 1 of 3
DATE: 11/20/92

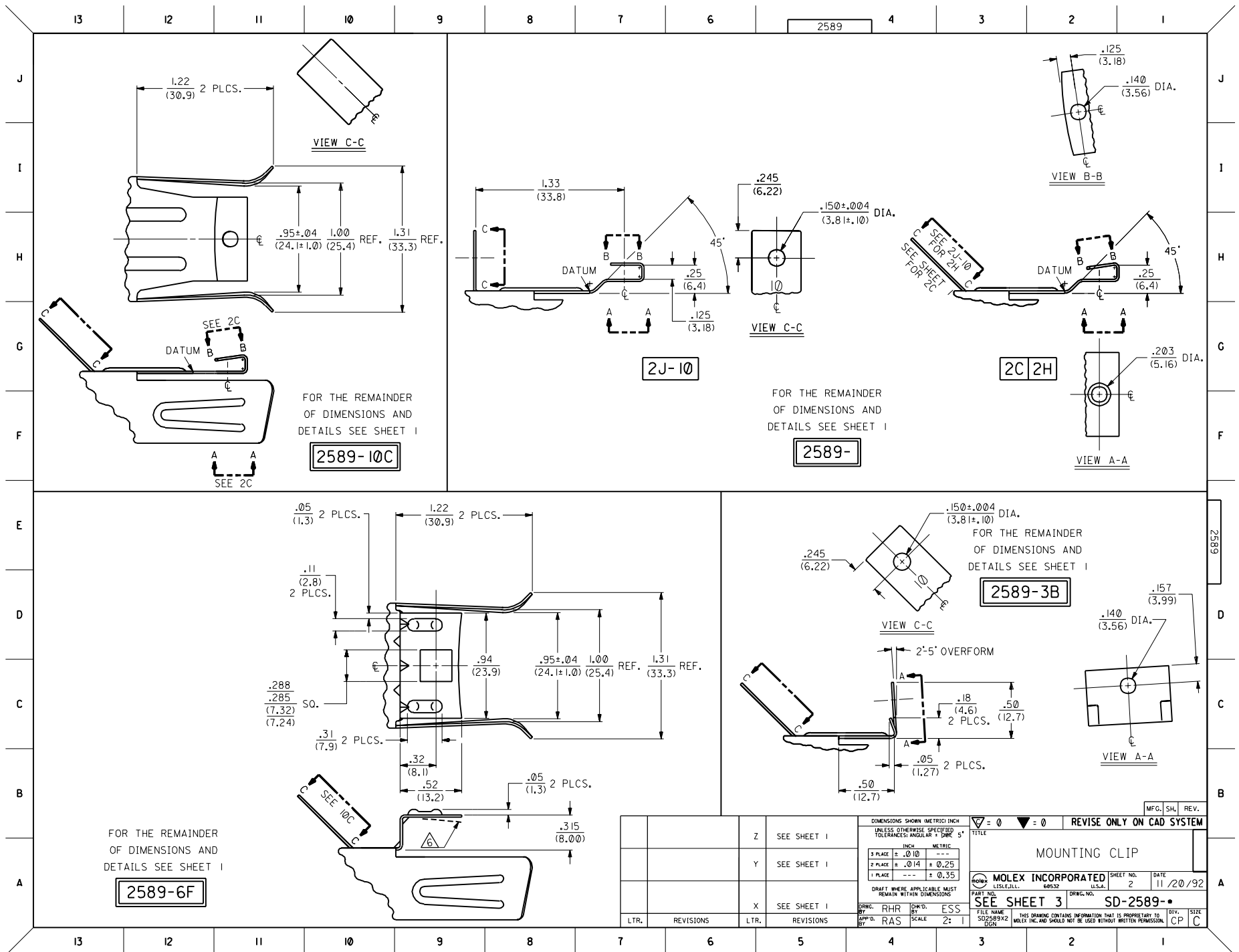
TITLE: MOUNTING CLIP

MOLEX INCORPORATED
1151E.ILL. 60532 U.S.A.

REVISIONS: 3 AB, 2 Z, 1 AC

NO P.S.

2589-ID-10



FOR THE REMAINDER OF DIMENSIONS AND DETAILS SEE SHEET I

2589-10C

2J-10

FOR THE REMAINDER OF DIMENSIONS AND DETAILS SEE SHEET I

2589-

2C 2H

FOR THE REMAINDER OF DIMENSIONS AND DETAILS SEE SHEET I

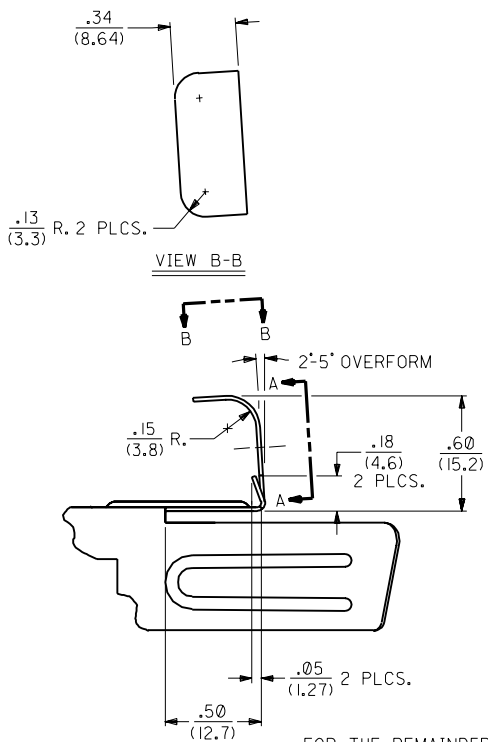
2589-3B

FOR THE REMAINDER OF DIMENSIONS AND DETAILS SEE SHEET I

2589-6F

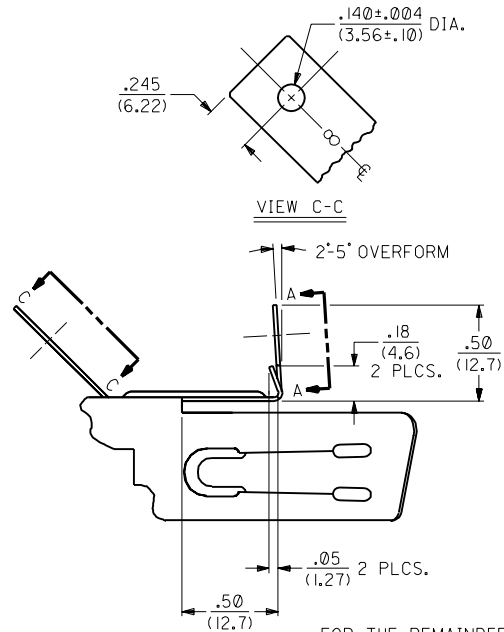
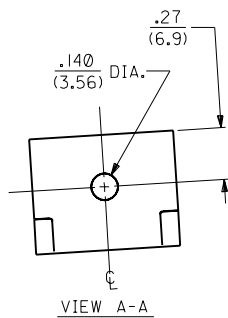
DIMENSIONS SHOWN METRIC INCH UNLESS OTHERWISE SPECIFIED TOLERANCES: ANGULAR ± .04°		MFG. SH. REV.	
Z	SEE SHEET I	TITLE	
Y	SEE SHEET I	MOUNTING CLIP	
X	SEE SHEET I	MOLEX INCORPORATED SHEET NO. 2 DATE 11/20/92 LITTLE, ILL. 60532 U.S.A. PART NO. SD-2589- SEE SHEET 3 DRWG. NO. SD-2589-* FILE NAME: SD2589X2 DGN THIS DRAWING CONTAINS INFORMATION THAT IS PROPRIETARY TO MOLEX INC. AND SHOULD NOT BE USED WITHOUT WRITTEN PERMISSION.	
LTR.	REVISIONS	LTR.	REVISIONS

PART NO.	ENG. NO.	DIMENSION	
		A	
089-00-2006	2589-ID-10	.48±.025 (12.2±.64)	
089-00-2022	2589-2C	.53±.025 (13.5±.64)	
089-00-2025	2589-2H	.656±.025 (16.66±.64)	
089-00-2027	2589-2J-10	.562±.025 (14.27±.64)	
089-00-2041	2589-3B	.48±.025 (12.2±.64)	
089-00-2047	2589-6F	.375±.015 (9.53±.38)	
089-00-2100	2589-10C	.48±.025 (12.2±.64)	
089-00-2101	2589-21A	.62±.025 (15.7±.64)	OBSOLETE
089-00-2103	2589-23	.62±.025 (15.7±.64)	



FOR THE REMAINDER
OF DIMENSIONS AND
DETAILS SEE SHEET I

2589-23



FOR THE REMAINDER
OF DIMENSIONS AND
DETAILS SEE SHEET I

2589-21A **OBSOLETE**

LTR.		REVISIONS		LTR.		REVISIONS	
		AA	SEE SHEET I				
		Z	SEE SHEET I				
AB	SEE SHEET I	X	SEE SHEET I				
LTR.	REVISIONS	LTR.	REVISIONS				

DIMENSIONS SHOWN (METRIC) INCH UNLESS OTHERWISE SPECIFIED TOLERANCES: ANGULAR ± 5°		▽ = 0	▼ = 0	REVISE ONLY ON CAD SYSTEM												
<table border="1"> <thead> <tr> <th></th> <th>INCH</th> <th>METRIC</th> </tr> </thead> <tbody> <tr> <td>3 PLACE</td> <td>± .010</td> <td>---</td> </tr> <tr> <td>2 PLACE</td> <td>± .014</td> <td>± 0.25</td> </tr> <tr> <td>1 PLACE</td> <td>---</td> <td>± 0.35</td> </tr> </tbody> </table>			INCH	METRIC	3 PLACE	± .010	---	2 PLACE	± .014	± 0.25	1 PLACE	---	± 0.35	TITLE		
	INCH	METRIC														
3 PLACE	± .010	---														
2 PLACE	± .014	± 0.25														
1 PLACE	---	± 0.35														
DRAWN: RHR		MOUNTING CLIP														
CHK'D: ESS		SEE CHART														
APP'D: RAS		SD-2589-*														
SCALE: 2: 1		MOLEX INCORPORATED														
		SHEET NO. 3														
		DATE 2/24/93														
		U.S.A.														
		PART NO. SD2589X3														
		DRWG. NO. 69532														
		MFG. SH. REV.														
		CP C														