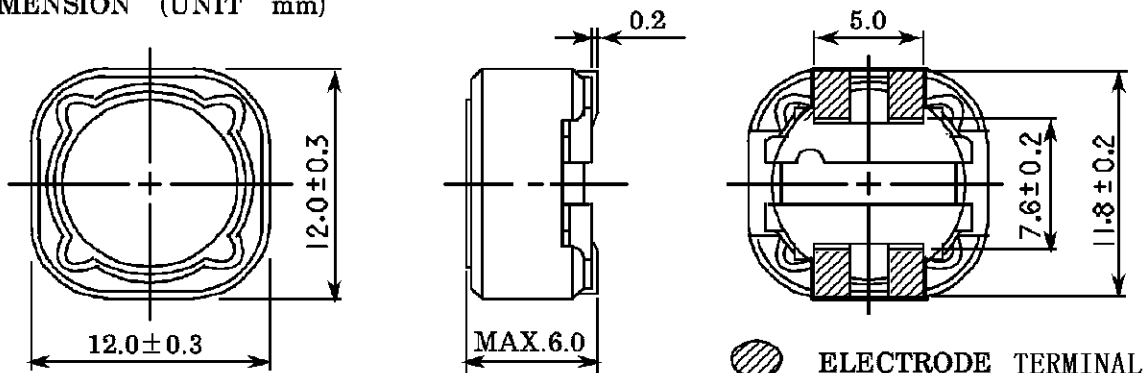


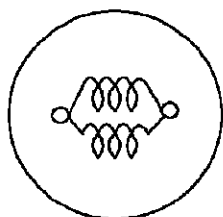
	SPECIFICATION	
	SUMIDA TYPE CDRH125	PART NO. REF. TO THE ATTACHED SHEET.

1. DIMENSION (UNIT mm)

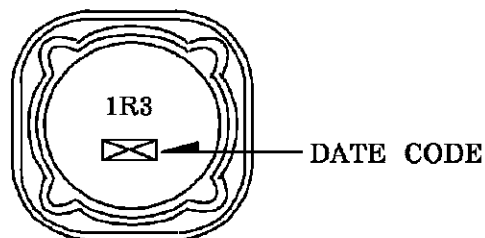


* DIMENSION WITHOUT TOLERANCE ARE APPROX.

2. CONNECTION (BOTTOM)



3. STAMP (Ex.)

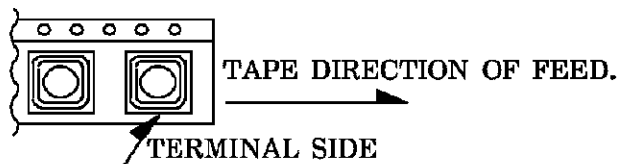


DIRECTLY STAMP
UNFIXED THE POSITION

4. NOTE

* PLEASE DO NOT USE A WASHING AGENT.

* ENCLOSING CONDITION OF COILS.



* CARRIER TAPE PACKING SPECIFICATION IN DETAIL.(S-074-500)

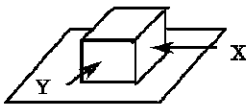
* RECOMMENDED REFLOW CONDITION TO BE ACCORDING TO S-074-5003.

6 th DEC . , 1996			SUMIDA CODE	4735
CHK.	CHK.	DRG.	DRG. NO. 2/5	
O.SATO	NISHI MURA	MONMA M		
			S-074-542	

GENERAL CHARACTERISTICS

TYPE	CDRH125
------	---------

1. OPERATING TEMPERATURE : - 25 ~ +80 °C (COIL CONTAIN HEAT)
2. EXTERNAL APPEARANCE : ON VISUAL INSPECTION, THE COIL HAS NO EXTERNAL DEFECTS.
3. ELECTRODE STRENGTH Δ : AFTER SOLDERING, BETWEEN COPPER PLATE AND ELECTRODE OF COIL, PUSH IN TWO DIRECTIONS OF X, Y WITHSTANDING 5.0N(0.51kgf) FOR 10±2 SECONDS. ELECTRODE SHOULD NOT PEEL OFF. (REFER TO FIGURE AT RIGHT)


4. HEAT ENDURANCE TEST : REFER TO S-074-5002.
5. DIELECTRIC STRENGTH : NO APPARENT AT 100V D.C. FOR 1 MINUTE BETWEEN COIL-CORE.
6. INSULATING RESISTANCE : OVER 100 MΩ AT 100V D.C. BETWEEN COIL-CORE.
7. INDUCTANCE TEMPERATURE COEFFICIENT : (0 ~ 2000)×10⁻⁹/°C (-25 ~ + 80°C)
8. HUMIDITY TEST : INDUCTANCE DEVIATION WITHIN ± 5.0 % AFTER 96 HOURS IN 90 ~ 95 % RELATIVE HUMIDITY AT 40 ± 2°C AND 1 HOUR DRYING UNDER NORMAL CONDITION.
9. VIBRATION TEST : INDUCTANCE DEVIATION WITHIN ± 3.0 % AFTER VIBRATION FOR 1 HOUR. IN EACH OF THREE ORIENTATIONS AT SWEEP VIBRATION (10~55~10 Hz) WITH 1.5 mm P-P AMPLITUDE.
10. SHOCK TEST : INDUCTANCE DEVIATION WITHIN ± 3.0 % AFTER DROP DOWN WITH 981m/s²(100G) SHOCK ATTITUDE UPON A RUBBER BLOCK METHOD SHOCK TESTING MACHINE, FOR 1 TIME, IN EACH OF THREE ORIENTATIONS.

6 th DEC . , 1996

C H K .	C H K .	D R G .
O.SATO	NISHI MURA	MONMA M

DRG. NO.	3/5
S-074-542	

SPECIFICATION

TYPE	CDRH125
------	---------

ELECTRICAL CHARACTERISTICS

NO.	PART NO.	STAMP	INDUCTANCE [WITHIN] ※1	D.C.R. (Ω) [MAX.] (at 20°C) (TYPICAL BALUE)	RATED CURRENT T (A) ※2	SUMIDA CODE
01	CDRH125-1R3NC	1R3	1.3 μ H + 30% - 20%	12 m (9 m)	8.00	-1062
02	CDRH125-2R1NC	2R1	2.1 μ H + 30% - 20%	14 m (11 m)	7.00	-1073
03	CDRH125-3R1NC	3R1	3.1 μ H + 30% - 20%	17 m (13 m)	6.00	-1084
04	CDRH125-4R4NC	4R4	4.4 μ H + 30% - 20%	20 m (16 m)	5.00	-1095
05	CDRH125-5R8NC	5R8	5.8 μ H + 30% - 20%	21 m (17 m)	4.40	-1106
06	CDRH125-7R5NC	7R5	7.5 μ H + 30% - 20%	24 m (19 m)	4.20	-1117

※ 1: INDUCTANCE(L) MEASURED AT A FREQUENCY OF at 7.96 MHz.

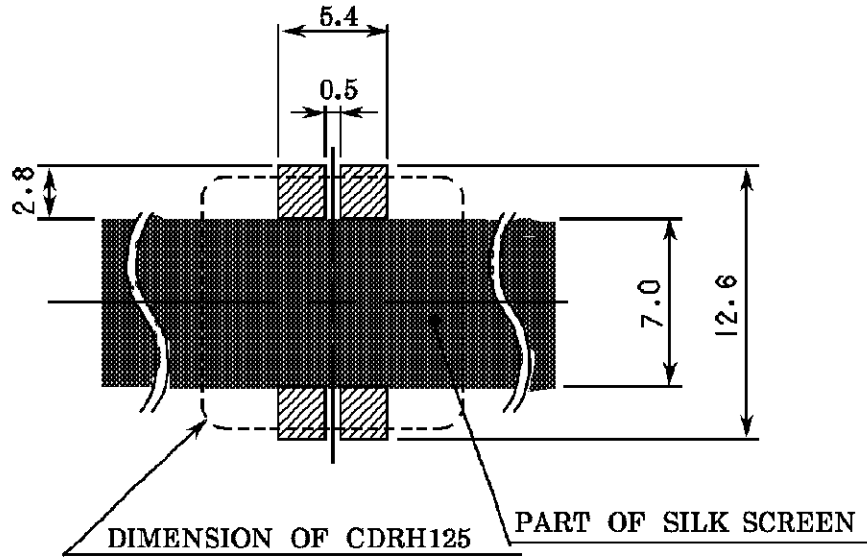
※ 2: THIS INDICATES THE VALUE OF CURRENT WHEN THE INDUCTANCE IS 75% MORE THAN IT'S NOMINAL VALUE AND TEMPERATURE RISING $\Delta t = 40^\circ\text{C}$ LOWER AT D. C. SUPERPOSITION. ($T_a = 20^\circ\text{C}$)

6 th DEC . , 1996			SUMIDA CODE	4735
CHK.	CHK.	DRG.	DEG NO. 4/5	
O.SATO	NISHI MURA	MONMA M		
			S-074-542	

SPECIFICATION

TYPE	CDRH125
------	---------

DIMENSION RECOMMENDED (mm)



PLEASE COAT WITH SILK BETWEEN ELECTRODE. \triangle

6 th DEC . , 1996

C H K.	C H K.	D R G.
O.SATO	NISHI MURA	MONMA M

DRG. NO.	5/5
S-074-542	