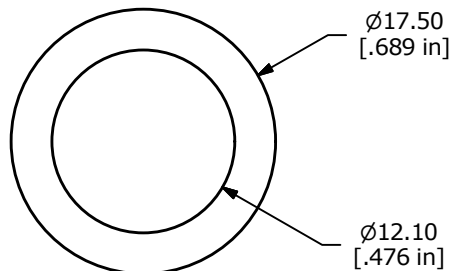
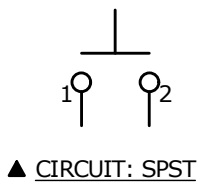


PANEL MOUNTING
MAX. PANEL THICKNESS 4mm



| SWITCH FUNCTION | |
|-----------------|--------|
| POS. 1 | POS. 2 |
| | |
| OFF | (ON) |
| OPEN | 1-2 |

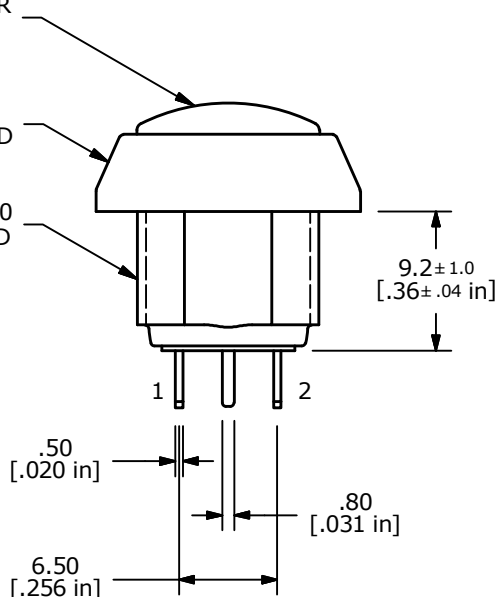
(ON) = MOMENTARY



▲ DOMED ACTUATOR
COLOR: YELLOW

▲ BODY COLOR:
BLACK ANODIZED

M12x1.0
THREAD



7.2±1.0
[.28±.04 in]

13.0±1.0
[.51±.04 in]

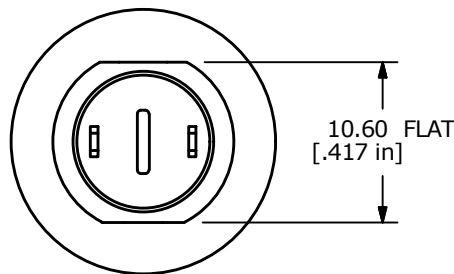
4.20
[.165 in]

2.00
[.079 in]

5.10
[.201 in]

2

- NOTE:
- ALL DIMENSIONS IN MM [INCH]
 - GENERAL TOLERANCE: X.X=±0.4
X.XX=±0.25
 - TERMINAL NUMBERS FOR REF ONLY
 - ▲ CONTACT MATERIAL: SILVER
 - RATING: 2A @ 36 VDC
 - ELECTRICAL LIFE: 200,000 CYCLES
 - CONTACT RESISTANCE: 50 mΩ MAX. @ 1A 12VDC (INITIAL)
 - INSULATION RESISTANCE: 1,000 MΩ MIN. @ 500VDC.
 - DIELECTRIC STRENGTH: 2,000 VAC rms.
 - OPERATING TEMPERATURE: -20°C TO +70°C.
 - PANEL THICKNESS MAX: 4.0 mm.
 - INGRESS PROTECTION: IP65
 - ▲ DENOTES CRITICAL PARAMETER.
 - 2011/65/EU (ROHS) COMPLIANT
 - ▲ 15. HARDWARE INCLUDED, 1 O-RING & 1 HEX NUT.(NOT SHOWN)



| | | | | |
|-----|--------|------------------------|--------|-----|
| B | 22667 | UPDATED FLAT ALIGNMENT | 1/9/17 | MJR |
| A | 20379 | RELEASE FOR PRODUCTION | 1/4/12 | BGL |
| REV | PCR NO | DESCRIPTION | DATE | BY |

| | | | | |
|-----------------|----------|-----|--------------|-----|
| TITLE PV5S24016 | | | | |
| SCALE | DATE | DR | DWG | REV |
| 2:1 | 1/4/2012 | BGL | 52-PV5S24016 | B |

THE INFORMATION CONTAINED IN THIS DOCUMENT IS PROPRIETARY TO E-SWITCH AND IS NOT TO BE COPIED OR TRANSFERRED