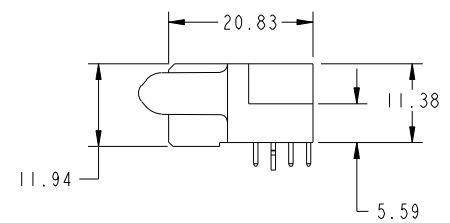
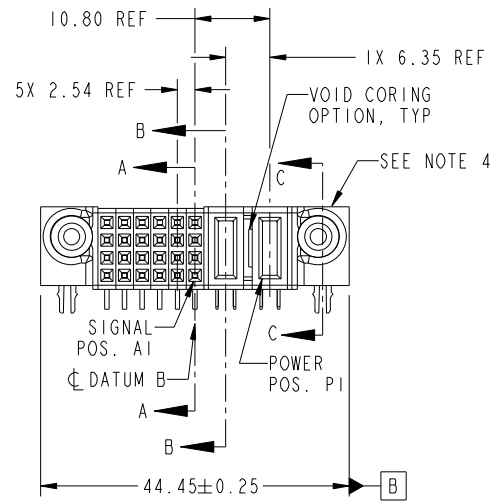
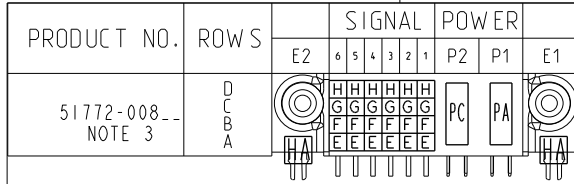


Tous droits strictement reserves. Reproduction ou communication a des tiers interdite sous quelque forme que ce soit sans autorisation écrite du propriétaire. Propriete de c FCI. Droits de reproduction FCI.



All rights strictly reserved. Reproduction or issue to third parties in any form whatever is not permitted without written authority from the proprietor. Property of FCI. Copyright FCI.



CODE	DIM "M" MATING LENGTH	CONTACT TYPE
PA	[1.07]	POWER
H	[N/A]	SIGNAL
G	[N/A]	SIGNAL
F	[N/A]	SIGNAL
E	[N/A]	SIGNAL
HA	[N/A]	HOLD-DOWN
PC	[2.34]	POWER

mat'l code				SEE NOTE 2		tolerances unless otherwise specified		CUSTOMER	
ltr	ecn no.	dr	date	linear	0.X ± 0.3	projection	COPY		
A	DG07-0301	SH	07/24/07	angles	0.XX ± 0.13		title		
B	DG07-0316	SH	08/01/07	dr	0.XXX ± 0.051		2P+24S		
				enr	0° ± 2°	product family		PwrBlade	code
				chr	Sincere He 07/24/07	size		dwg no	213
				appd	Sincere He 07/24/07	scale		51772-008	sheet
					Gary Hsieh 07/24/07	1:1		1 of 4	
					Joseph Hsia 07/24/07				
sheet index	revision sheet	B 1	B 2	B 3	B 4				

www.fciconnect.com		product family		PwrBlade	code
title		size		dwg no	213
2P+24S		scale		51772-008	sheet
R/A SOLDER RECEPTACLE		1:1		1 of 4	

sheet index	revision sheet	B 1	B 2	B 3	B 4
-------------	----------------	-----	-----	-----	-----

cage code	22526
-----------	-------

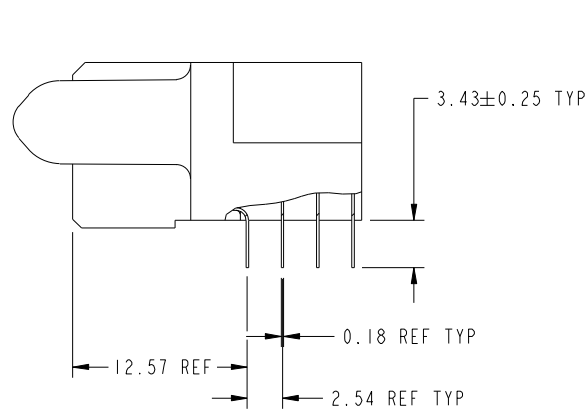
Pro/E

Tous droits strictement reserves. Reproduction ou communication a des tiers interdite sous quelque forme que ce soit sans autorisation écrite du propriétaire. Propriete de c FCI. Droits de reproduction FCI.

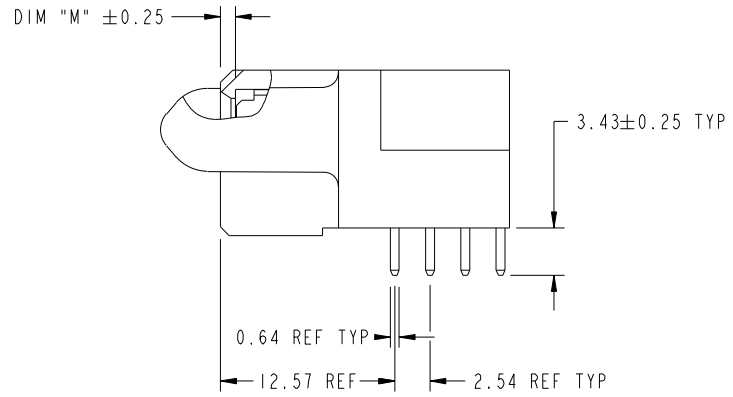


All rights strictly reserved. Reproduction or issue to third parties in any form whatever is not permitted without written authority from the proprietor. Property of FCI. Copyright FCI.

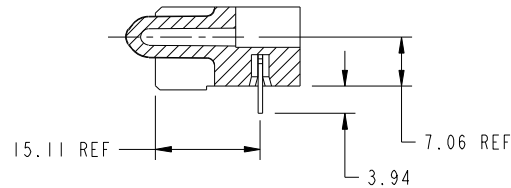
PRODUCT NUMBER
51772-008--
NOTE 3



BROKEN-OUT SECTION A-A
SCALE 2:1



BROKEN-OUT SECTION B-B
SCALE 2:1



SECTION C-C

mat'l code				SEE NOTE 2		tolerances unless otherwise specified		CUSTOMER		 www.fciconnect.com		
ltr	ecn no.	dr	date	linear	0.X ±0.3		COPY		 title 2P+24S R/A SOLDER RECEPTACLE	product family		code
B					0.XX ±0.13		 MIM			size	PwrBlade	213
					0.XXX ±0.051		scale			dwg no	51772-008	sheet
				angles	0° ±2°		1:1		A		2 of 4	
				dr	Sincere He	07/24/07						
				enr	Sincere He	07/24/07						
				chr	Gary Hsieh	07/24/07						
				appd	Joseph Hsia	07/24/07						
sheet index	revision sheet											

cage code 22526

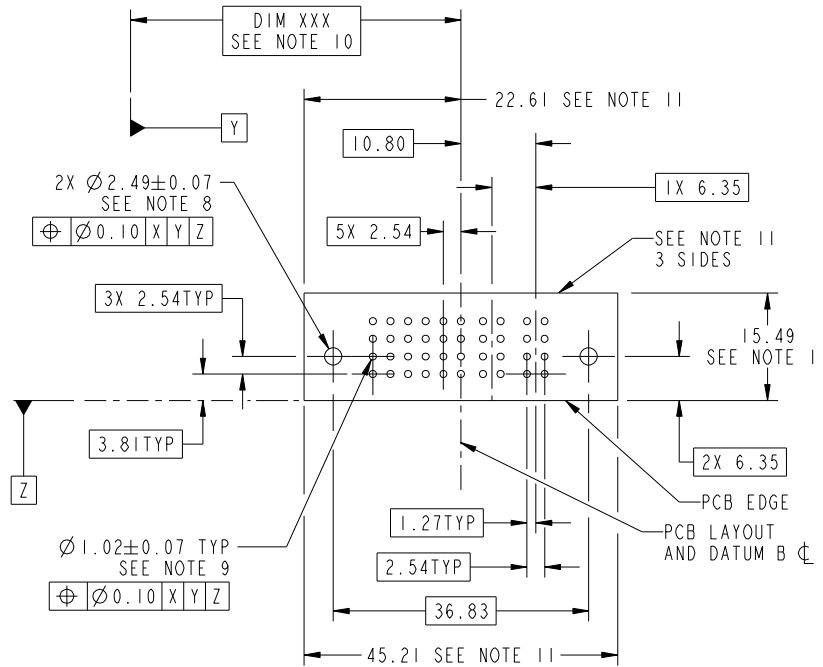
Pro/E

Tous droits strictement reserves. Reproduction ou communication a des tiers interdite sous quelque forme que ce soit sans autorisation ecrite du proprietaire. Propriete de c FCI. Droits de reproduction FCI.



All rights strictly reserved. Reproduction or issue to third parties in any form whatever is not permitted without written authority from the proprietor. Property of FCI. Copyright FCI.

PRODUCT NUMBER
51772-008--
NOTE 3



RECOMMENDED PCB LAYOUT

mat'l code				SEE NOTE	tolerances unless otherwise specified		CUSTOMER	FCI	
ltr	ecn no.	dr	date	linear	0.X ±0.3	COPY	www.fciconnect.com		
B				angles	0.XX ±0.13	projection	title 2P+24S		
				dr	0.XXX ±0.051		R/A SOLDER RECEPTACLE		
				enr	0° ±2°	MIM	product family	PwrBlade	code
				chr	Sincere He 07/24/07	scale	size	dwg no	213
				appd	Sincere He 07/24/07	1:1	A	51772-008	sheet
					Gary Hsieh 07/24/07				3 of 4
					Joseph Hsia 07/24/07				
sheet index	revision sheet								

cage code 22526

Pro/E

Tous droits strictement reserves. Reproduction ou communication a des tiers interdite sous quelque forme que ce soit sans autorisation écrite du propriétaire. Propriete de c FCI. Droits de reproduction FCI.

All rights strictly reserved. Reproduction or issue to third parties in any form whatever is not permitted without written authority from the proprietor. Property of FCI. Copyright FCI.

PRODUCT NUMBER
51772-008--
NOTE 3

NOTES:

1. DIMENSIONS AND TOLERANCES ARE IN ACCORDANCE WITH ASME Y14.5M, 1994 UNLESS OTHERWISE SPECIFIED.

CONNECTOR NOTES:

- 2. HOUSING MATERIAL: UL 94 V-0 GLASS FILLED
HIGH-TEMP THERMOPLASTIC
POWER CONTACT MATERIAL: COPPER ALLOY
SIGNAL PIN MATERIAL: COPPER ALLOY
 - 3. PLATING:
51772-008, 51772-008LF PLATING SPEC. WAS SHOWN IN THE PRINT OF 10064183.
 - 4. MANUFACTURER'S NAME, P/N, AND DATE CODE TO APPEAR ON THIS SURFACE.
 - 5. PRODUCT SPECIFICATION GS-12-149.
APPLICATION SPECIFICATION BUS-20-067.
 - 6. PACKAGED IN TRAYS.
- PCB NOTES:
- 7. ALL HOLE DIAMETERS ARE FINISHED HOLE SIZE.
 - 8. MOUNTING HOLES, WHERE APPLICABLE, ARE UNPLATED.
 - 9. $\varnothing 1.151 \pm 0.025$ DRILLED HOLES PLATED WITH
0.008 MIN SnPb OR Sn OVER 0.03
TO 0.08 Cu PLATING TO ACHIEVE
 $\varnothing 1.02 \pm .07$ HOLE.
 - 10. "DIM XXX" TO BE DETERMINED BY THE CUSTOMER.
 - 11. CONNECTOR KEEP-OUT ZONE.

mat'l code				SEE NOTE 2		tolerances unless otherwise specified		CUSTOMER		FCI www.fciconnect.com		
ltr	ecr no.	dr	date	linear	0.X ± 0.3		COPY		projection	title		
B					0.XX ± 0.13					2P+24S		
					0.XXX ± 0.051					R/A SOLDER RECEPTACLE		
				angles	0° ± 2°		MIM		product family	PwrBlade	code	
				dr	Sincere He	07/24/07			size	dwg no	213	
				enr	Sincere He	07/24/07			A	51772-008	sheet	4 of 4
				chr	Gary Hsieh	07/24/07						
				appd	Joseph Hsia	07/24/07						
sheet index	revision sheet											

cage code 22526

Pro/E