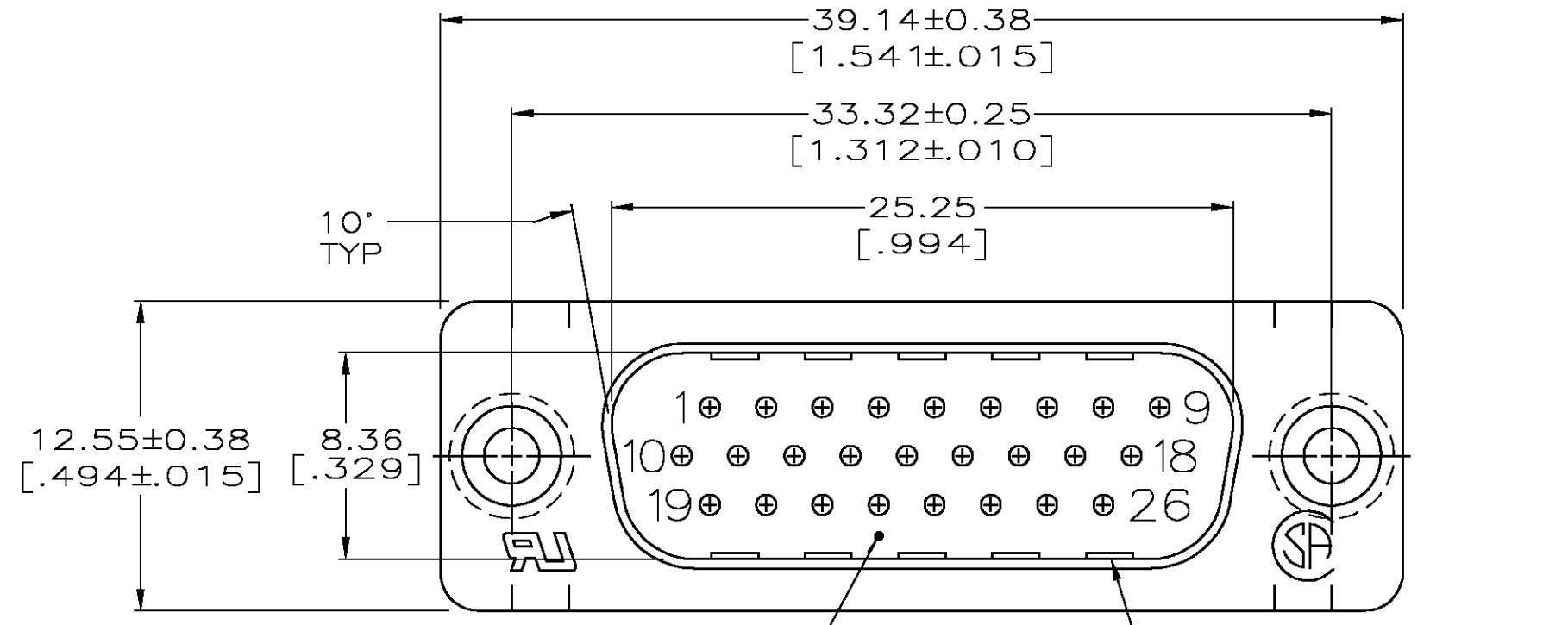
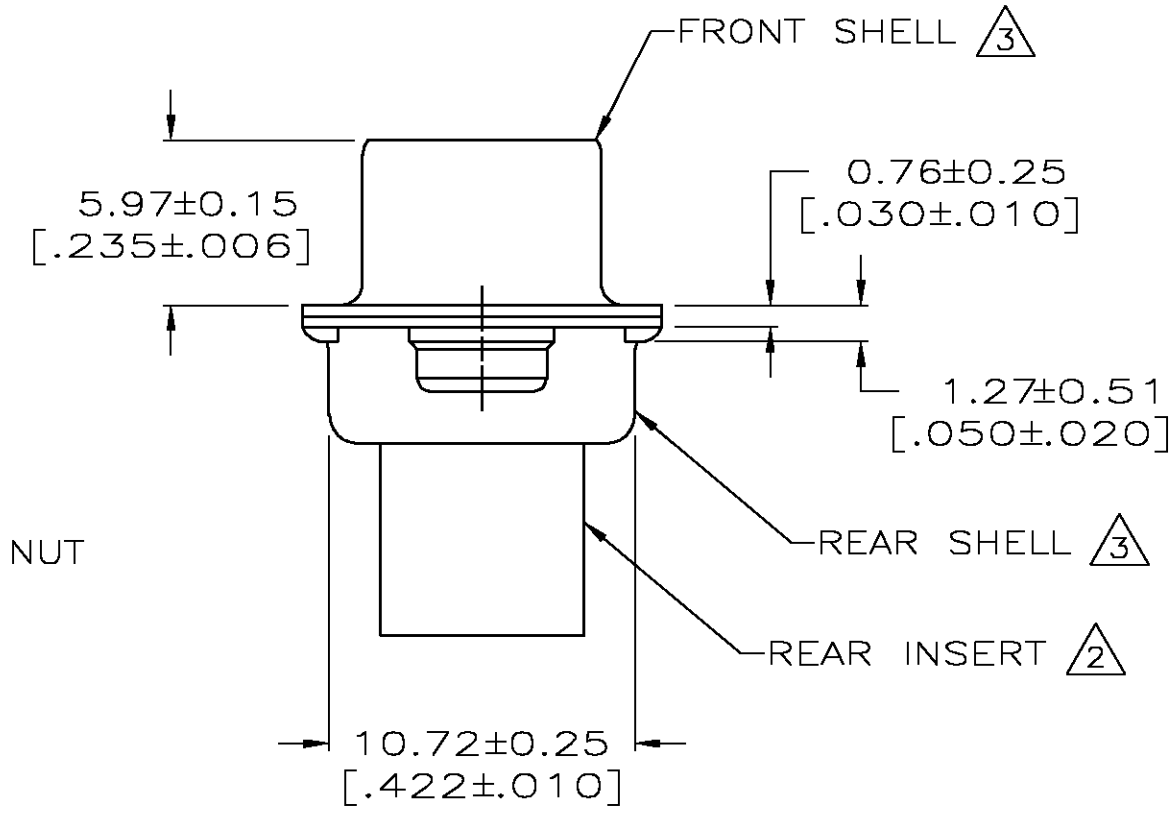
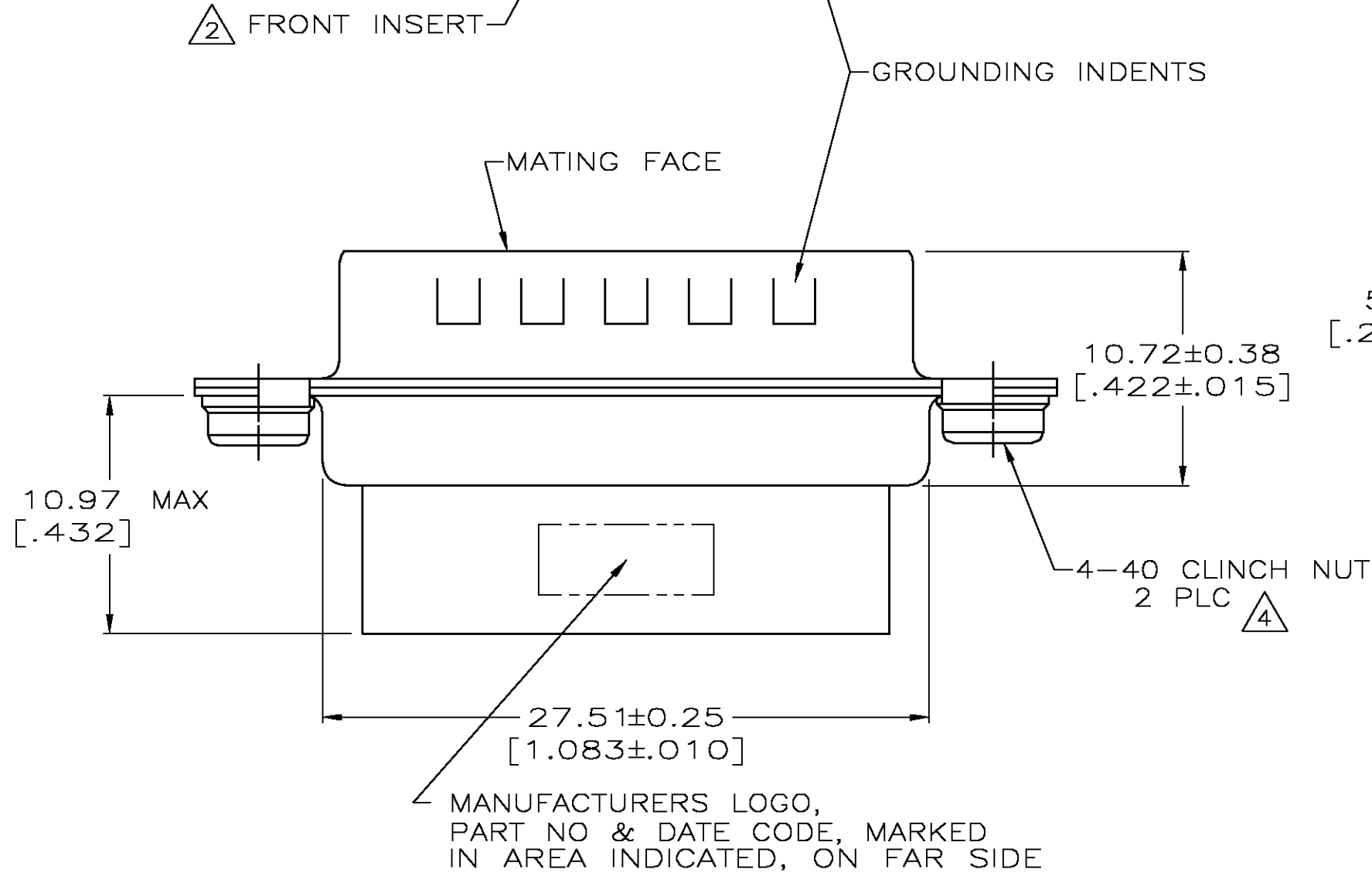


THIS DRAWING IS UNPUBLISHED. RELEASED FOR PUBLICATION
 © COPYRIGHT BY TYCO ELECTRONICS CORPORATION. ALL RIGHTS RESERVED.

LOC	DIST	REVISIONS			
P	LTR	DESCRIPTION	DATE	DWN	APVD
GP	00	0	RELEASED PER EC 0513-0257-04	11-11-04	GA JG



- CONNECTOR ACCEPTS SIZE 22 DF PIN CONTACTS. RETENTION TINES ARE AN INTEGRAL PART OF INSERT.
- FLAME RETARDANT UL 94V-0 RATED GLASS FILLED NYLON, BLACK.
- CARBON STEEL; .000200 MIN TIN OVER .000100 MIN COPPER.
- CARBON STEEL; ZINC PLATED CLEAR CHROMATE.



MANUFACTURERS LOGO, PART NO & DATE CODE, MARKED IN AREA INDICATED, ON FAR SIDE

5749717-1
PART NO

THIS DRAWING IS A CONTROLLED DOCUMENT.		DWN G. ATTADIA - DOCK5 11-11-04	Tyco Electronics Corporation Harrisburg, PA 17105-3608	
DIMENSIONS: mm [INCHES]		CHK J. GERACE 11-11-04	APVD M. WALMSLEY 11-11-04	
TOLERANCES UNLESS OTHERWISE SPECIFIED:		PRODUCT SPEC 108-1268		NAME PLUG CONNECTOR, SIZE 2, 26 POSN, W/ CLINCH NUTS, AMPLIMITE® HDP-22
0 PLC ± - 1 PLC ± - 2 PLC ± 0.13 [.005] 3 PLC ± - 4 PLC ± -		APPLICATION SPEC 114-10001		
MATERIAL SEE CALLOUTS		FINISH SEE CALLOUTS		RESTRICTED TO
MATERIAL		WEIGHT		SIZE A2
MATERIAL		WEIGHT		CAGE CODE 00779
MATERIAL		WEIGHT		DRAWING NO 5749717
MATERIAL		WEIGHT		SCALE 4:1
MATERIAL		WEIGHT		SHEET 1 OF 1
MATERIAL		WEIGHT		REV 0
MATERIAL		WEIGHT		CUSTOMER DRAWING

5749717