

4

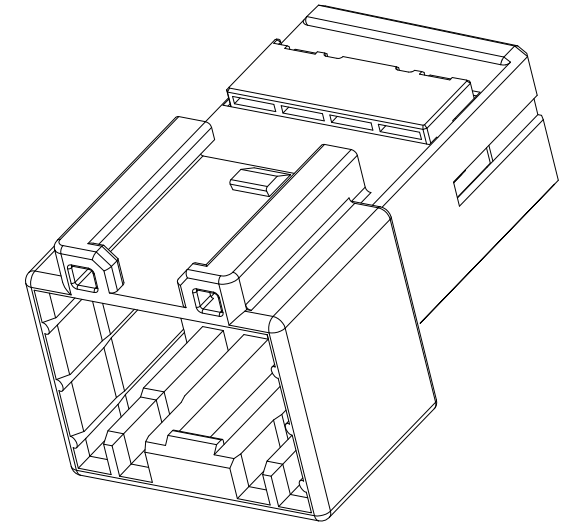
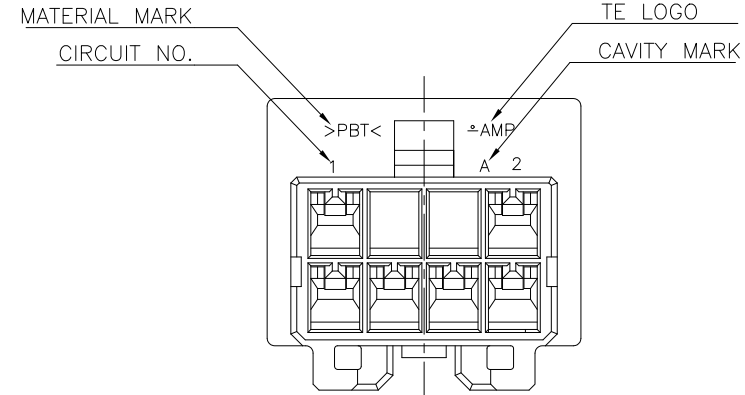
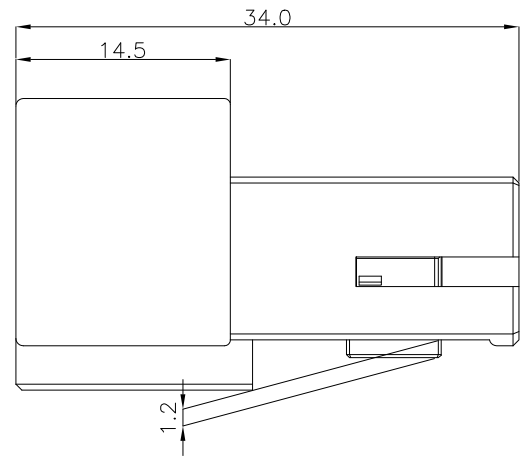
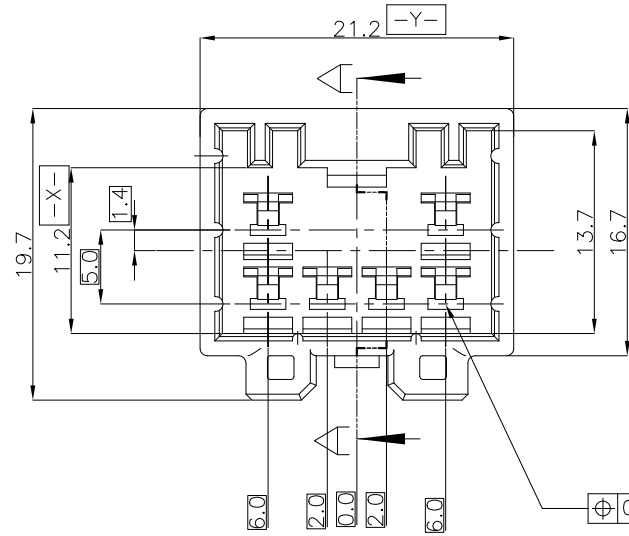
3

2

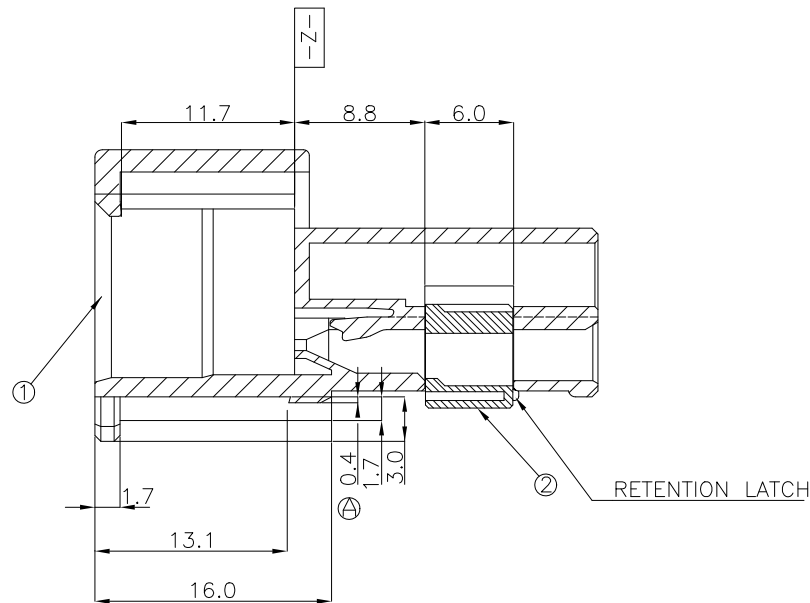
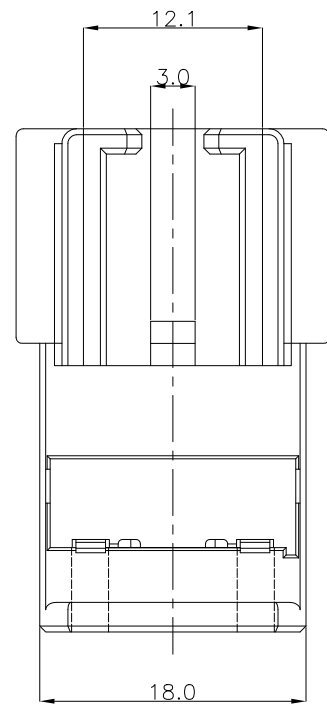
1

THIS DRAWING IS UNPUBLISHED. RELEASED FOR PUBLICATION
COPYRIGHT BY TYCO ELECTRONICS CORPORATION, ALL RIGHTS RESERVED.

LOC	DIST	REVISIONS					
		P	LTR	DESCRIPTION	DATE	DWN	APVD
DS	-	C		REVISED (ECR-08-015583)	20.JUN.'08	KT	HG
		C1		REVISED (ECR-09-005035)	24.MAR.'09	KT	HG



3D VIEW



SECTION A-A

- NOTES.
 1. THE MATING HSG. P/N ; 936268
 2. APPLIED CONTACT P/N ; 090 II TAB.- 368086, 368087, 368088, 1897752

- 주 기-
 1. 상대 하우징 P/N. : 936268
 2. 적용단자 P/N. : 090 II TAB.- 368086, 368087, 368088, 1897752

ASSY P/N
0-936271-8
0-936271-7
0-936271-6
0-936271-5
0-936271-4
0-936271-3
0-936271-2
0-936271-1

NO	COLOR	MATERIAL	DESCRIPTION	P/N	QTY
1	BLUE	PBT	PLUG	0-936272-8	1
	GREEN	PBT	PLUG	0-936272-7	1
	RED	PBT	PLUG	0-936272-6	
	YELLOW	PBT	PLUG	0-936272-5	1
	BROWN	PBT	PLUG	0-936272-4	1
	D/GRAY	PBT	PLUG	0-936272-3	1
	BLACK	PBT	PLUG	0-936272-2	1
	NATURAL	PBT	PLUG	0-936272-1	1
2	NATURAL	PBT	DBL	0-936270-1	1 1 1 1 1 1 1 1

THIS DRAWING IS A CONTROLLED DOCUMENT FOR TYCO ELECTRONICS CORPORATION IT IS SUBJECT TO CHANGE AND THE CONTROLLING ENGINEERING ORGANIZATION SHOULD BE CONTACTED FOR THE LATEST REVISION.

DIMENSIONS: MM	TOLERANCES UNLESS OTHERWISE SPECIFIED: 0 <XX<10 ± 0.2 10<XX<30 ± 0.25 30<XX ± 0.3 ANGLES ± 3°
MATERIAL	FINISH
SEE TABLE	

DWN KT JUNG		AMP KOREA, Kyungsan, Korea		
CHK JW JUNG		NAME		
APVD HG CHD		090III 6P CAP ASS'Y (2ROW)		
PRODUCT SPEC	SIZE	CAGE CODE	DRAWING NO	RESTRICTED TO
APPLICATION SPEC	A3	00779	C-936271	-
WEIGHT	CUSTOMER DRAWING			SCALE 2/1 SHEET 1 OF 1 REV C1