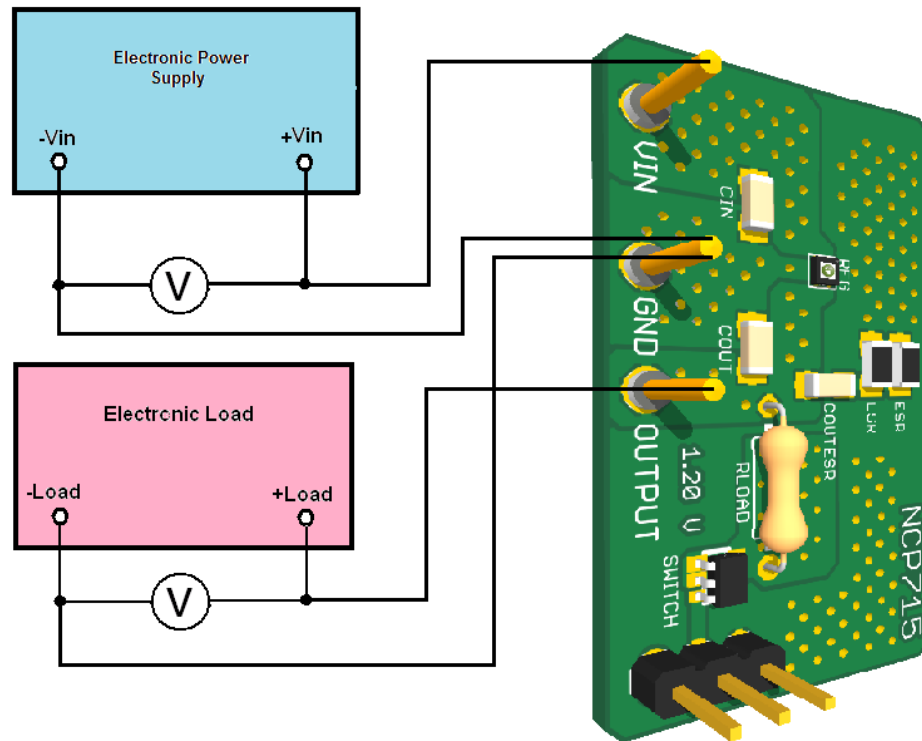




## Test Procedure for the NCP715MXTBGEVB Evaluation Board



### Test procedure:

1. Check the Voltage Version (It is mentioned next to OUTPUT terminal on the demoboard.)
2. Connect the test setup as shown Figure above
3. Apply an input voltage  $V_{in} = 6.0 \text{ V}$
4. Apply  $I_{out} = 0\text{mA}$  load.
5. Check that  $V_{out}$  is:
  - 1.2 V +/-2% for 1.2 V voltage version**
  - 1.5 V +/-2% for 1.5 V voltage version**
  - 1.8 V +/-2% for 1.8 V voltage version**
  - 2.5 V +/-2% for 2.5 V voltage version**
  - 3.3 V +/-2% for 3.3 V voltage version**
  - 5.0 V +/-2% for 5.0 V voltage version**

6. Increase Iout up to **50 mA**

7. Check that Vout is :

**1.2 V +/-2% for 1.2 V voltage version**

**1.5 V +/-2% for 1.5 V voltage version**

**1.8 V +/-2% for 1.8 V voltage version**

**2.5 V +/-2% for 2.5 V voltage version**

**3.3 V +/-2% for 3.3 V voltage version**

**5.0 V +/-2% for 5.0 V voltage version**

8. Increase Vin up to **24.0 V** and decrease the load in accordance with **Safe Operation Area**

9. Power down the Load

10. Power down the Vcc

11. End of test