

4

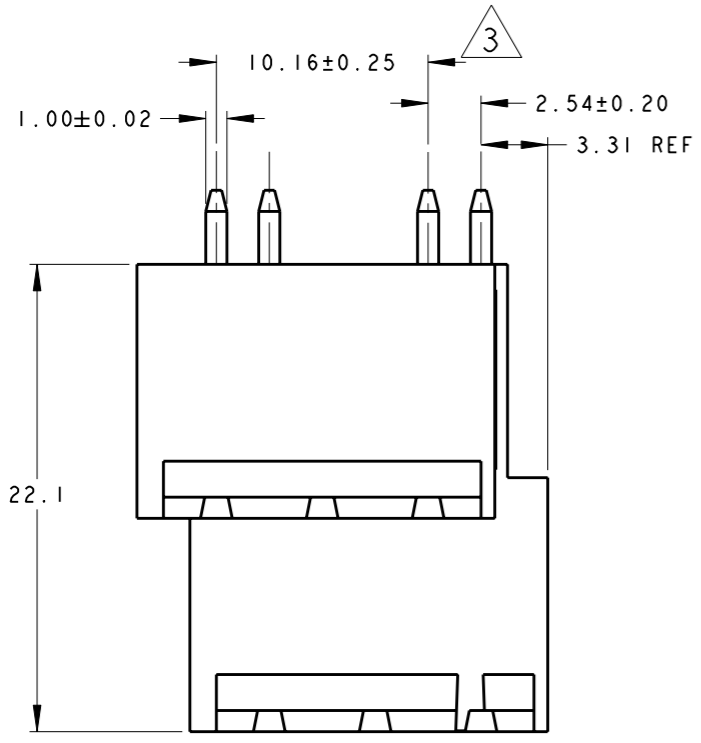
3

2

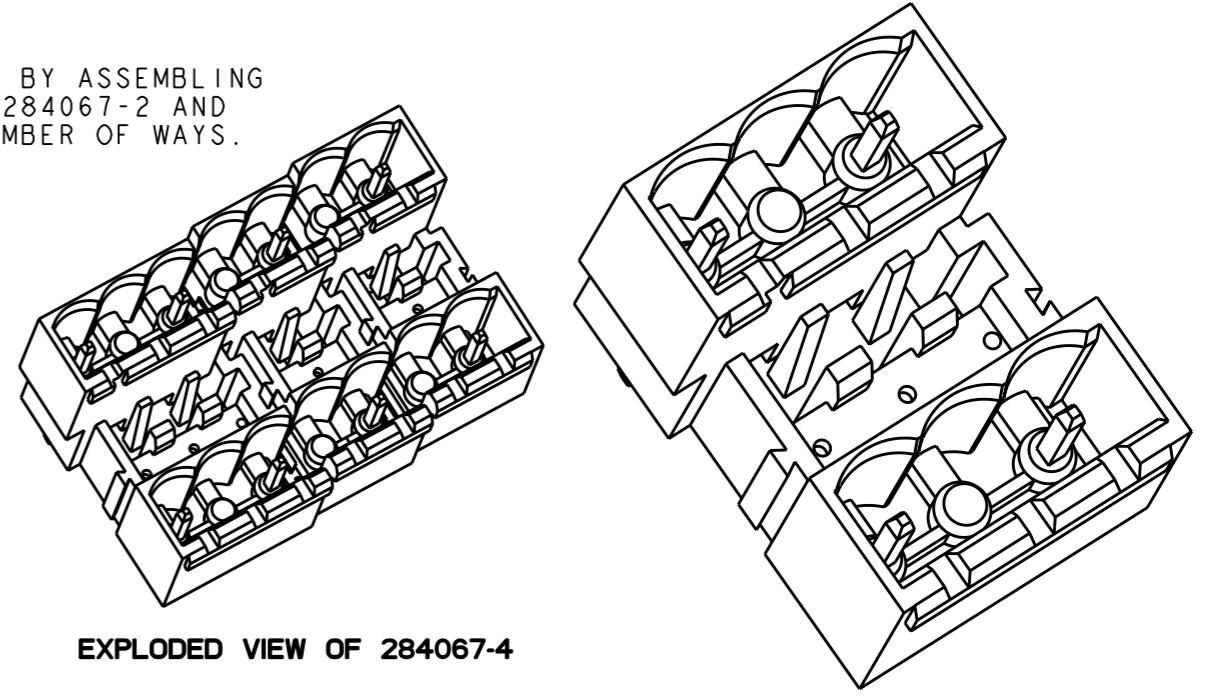
1

THIS DRAWING IS UNPUBLISHED. RELEASED FOR PUBLICATION 20
 © COPYRIGHT 20 BY - ALL RIGHTS RESERVED.

LOC	DIST	REVISIONS			
P	LTR	DESCRIPTION	DATE	DWN	APVD
FT	0	C2	REVISED PER ECO-12-007714	28APR2012	KH MS

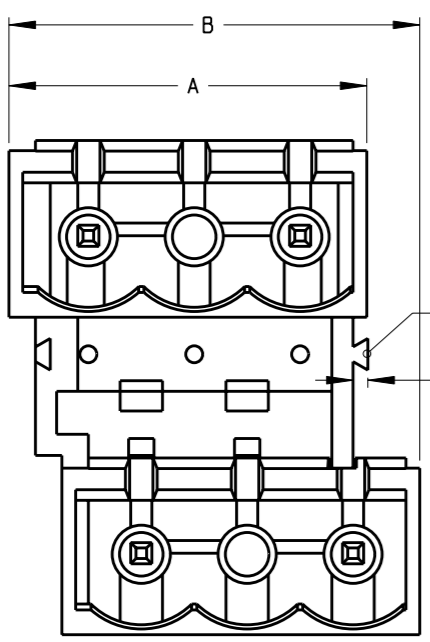


- 1 MATERIALS AND FINISH
HOUSING: PA 6-6, UL 94-V0, COLOR: SEE TABLE.
TERMINAL: COPPER ALLOY, TIN PLATED.
- 2 SUITABLE FOR 1,6-2,4mm PC BOARD THICKNESS.
- 3 NOT CUMULATIVE TOLERANCE.
- 4 P/N FROM 284067-3 TO 1-284067-3 ARE OBTAINED BY ASSEMBLING DIFFERENT MONOLITHIC MODULES CHOSEN AMONG :284067-2 AND 284067-3, IN ORDER TO REALIZE THE DESIRED NUMBER OF WAYS.



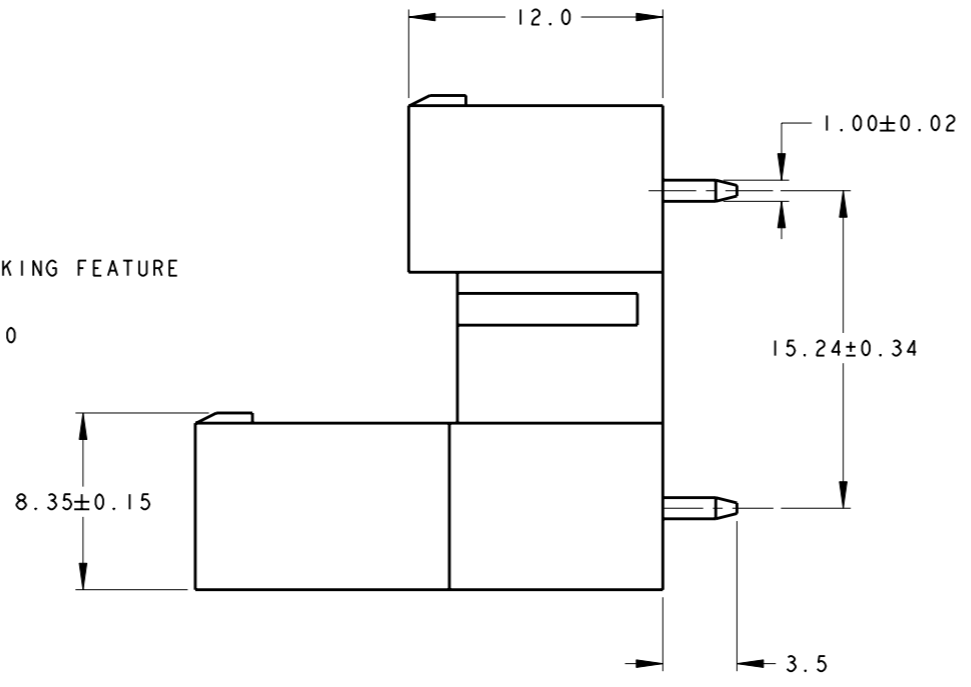
EXPLODED VIEW OF 284067-4

284067-2 AS SHOWN

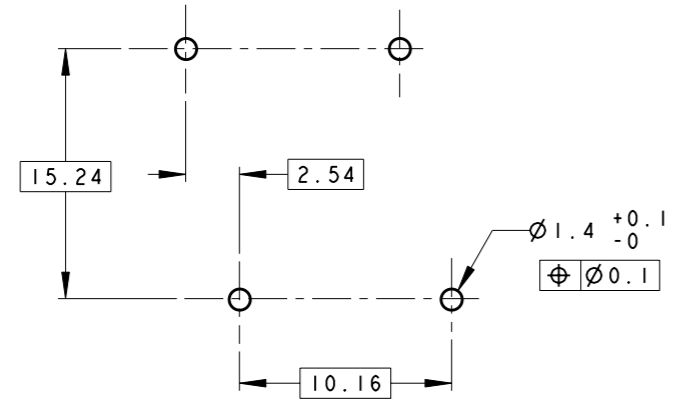


INTERLOCKING FEATURE

0.70±0.10



MATERIAL COLOR	DIM"A"	DIM"B"	N°OF TOTAL POS.	PART NUMBER
BLACK	37.60	40.14	4	1-284067-4
	129.04	131.58	13	1-284067-3
	118.88	121.42	12	1-284067-2
	108.72	111.26	11	1-284067-1
GREEN	98.56	101.10	10	1-284067-0
	88.40	90.94	9	284067-9
	78.24	80.78	8	284067-8
	68.08	70.62	7	284067-7
	57.92	60.46	6	284067-6
	47.76	50.30	5	284067-5
	37.60	40.14	4	284067-4
	27.44	29.98	3	284067-3
	17.28	19.82	2	284067-2



RECOMMENDED PC BOARD LAYOUT

THIS DRAWING IS A CONTROLLED DOCUMENT.

DIMENSIONS: mm	TOLERANCES UNLESS OTHERWISE SPECIFIED: 0 PLC ±. 1 PLC ±.3 2 PLC ±.25 3 PLC ±. 4 PLC ±. ANGLES ±2	DWN 31JAN2002 E. ZANOLINI CHK 31JAN2002 E. ZANOLINI APVD 31JAN2002 D. BIEVENOUR	TE Connectivity NAME TERMINAL BLOCK HEADER ASSEMBLY, MULTIPLE, 180 DEGREE, CLOSED ENDS, 10.16mm PITCH
MATERIAL	FINISH	PRODUCT SPEC APPLICATION SPEC WEIGHT	

CUSTOMER DRAWING SCALE 14:5 SHEET 1 OF 1 REV C2