

丸形 Round Type

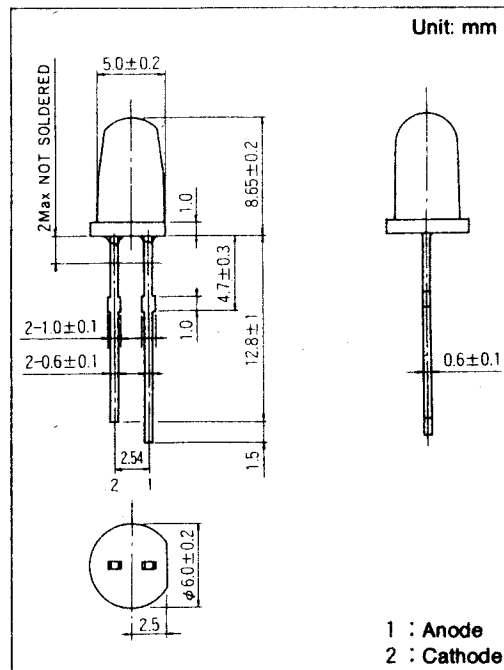
φ 5.0mm Series

Type No. Lighting Color
LN261CAL(UR) Red

絶対最大定格 Absolute Maximum Ratings (Ta=25 °C)

Lighting Color	P _D (mW)	I _F (mA)	I _{FP} (mA)*	V _F (V)	T _{OP} (°C)	T _{STG} (°C)
Red	70	30	150	3	-25~+85	-30~+85

* I_{FP}の条件は, duty 10%. Pulse width 1 msec. The condition of I_{FP} is duty 10%, Pulse width 1 msec



電気的光学的特性 Electro-Optical Characteristics (Ta=25 °C)

Type No.	Lighting Color	Lens Color	I _o			V _F		λ _P	Δλ	I _r	I _F	
			Typ	Min	L	Typ	Max				Typ	Max
LN261CAL(UR)	Red	Clear	2000	1000	20	1.8	2.6	665	20	20	100	3
Unit	—	—	mcd	mcd	mA	V	V	nm	nm	mA	μA	V

