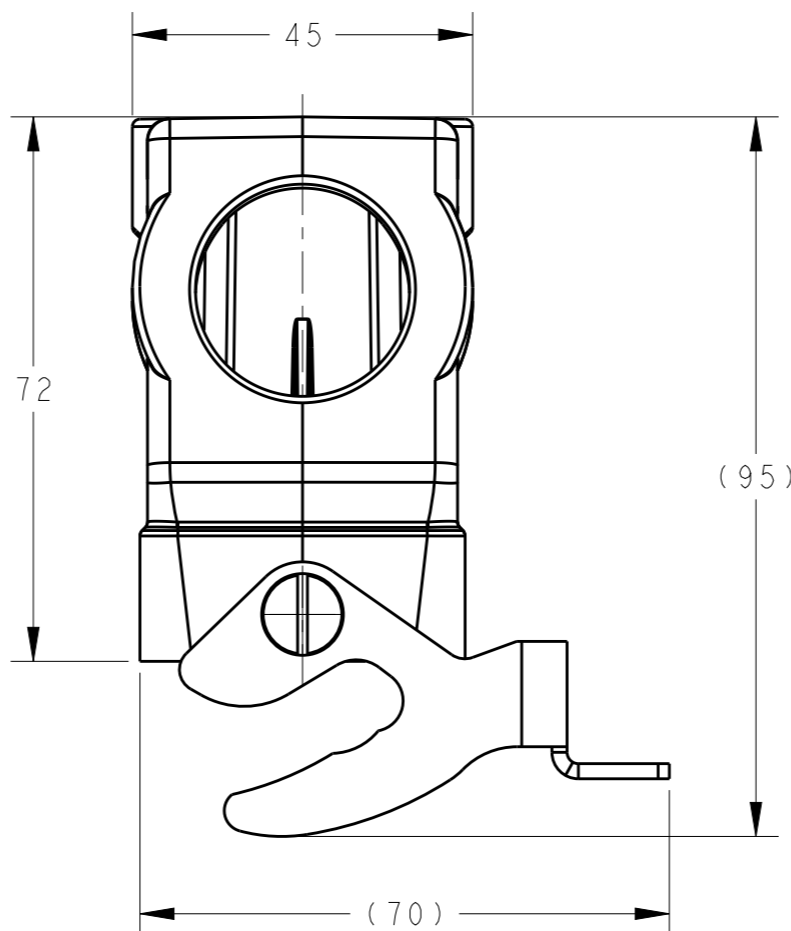
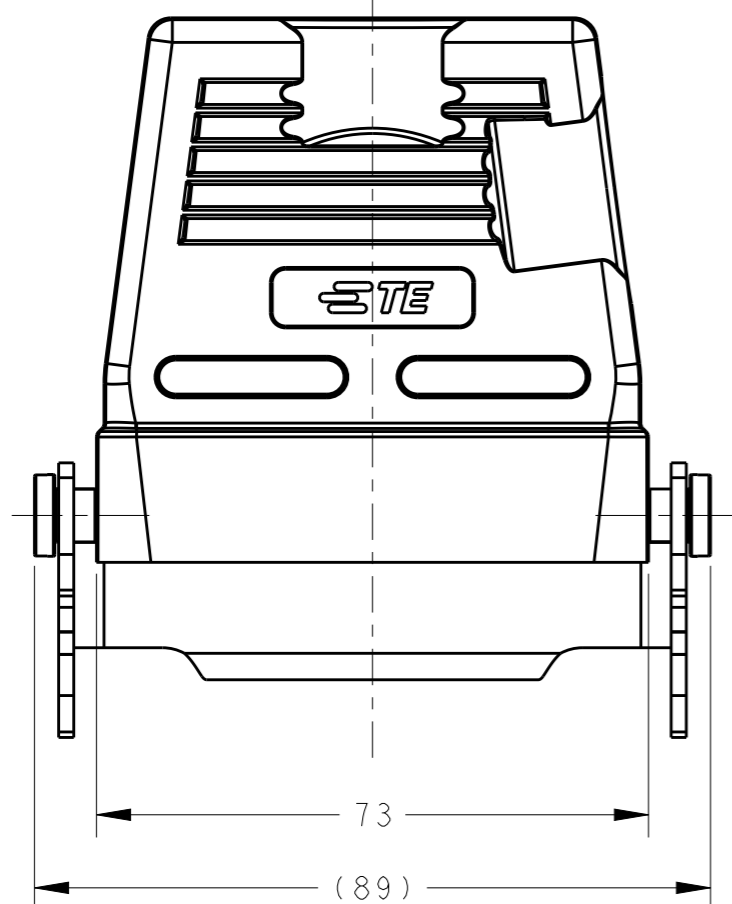


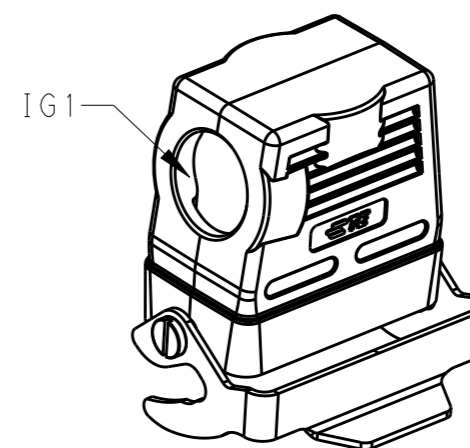
REVISIONS

P	LTR	DESCRIPTION	DATE	DWN	APVD
	A	INITIAL	10JUN2015	DW	CW

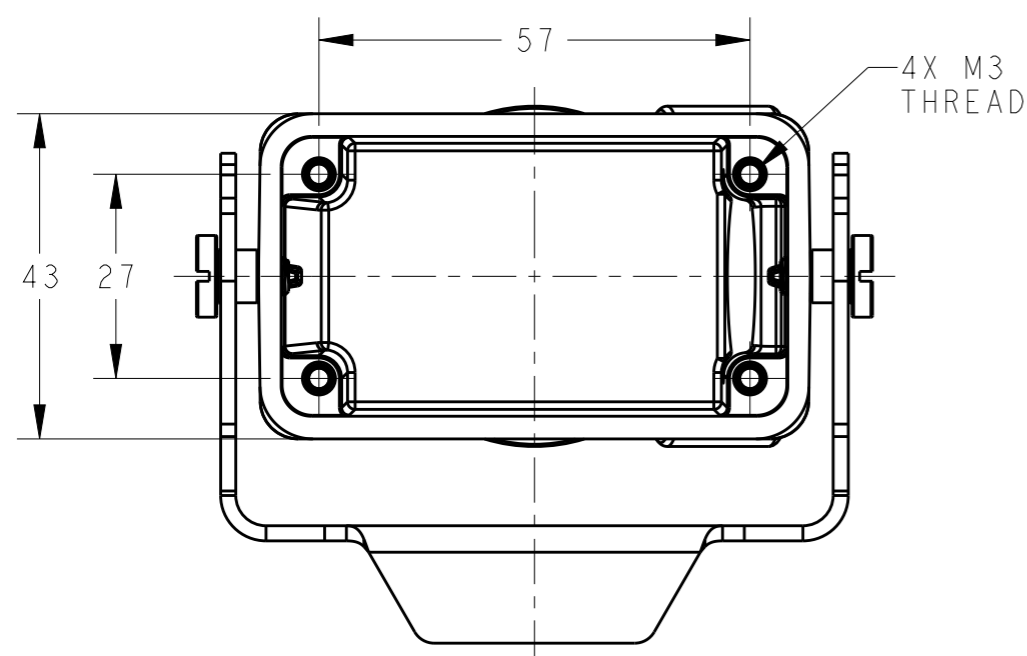


NOTES:  
 1. TECHNICAL CHARACTERISTICS:  
 HOOD MATERIAL: DIE CAST ALUMINIUM ALLOY  
 SURFACE: POWDER COATED, GREY  
 OPERATION TEMPERATURE: -40-+125°C  
 DEGREE OF PROTECTION: IP65 (MATED)


注释:  
 1. 技术参数:  
 上壳材料: 铝合金  
 表面处理: 粉末涂层, 灰色  
 工作温度: -40-+125°C  
 防护等级: IP65(配合)



SCALE 1:2



T1370102129-000	H10B-TSBH-LB-PG29	PG29
T1370102121-000	H10B-TSBH-LB-PG21	PG21
PART NUMBER	DESCRIPTION	IG1

THIS DRAWING IS A CONTROLLED DOCUMENT.		DWN 05JUN2015 David Wang	 TE Connectivity			
DIMENSIONS: mm		CHK 05JUN2015 Chris Wang			NAME H10B-TSBH-LB-PG	
TOLERANCES UNLESS OTHERWISE SPECIFIED:		APVD 05JUN2015 Xiang Xu			PRODUCT SPEC 108-137013	
0 PLC ±- 1 PLC ±- 2 PLC ±- 3 PLC ±- 4 PLC ±- ANGLES ±-		APPLICATION SPEC 114-137013			SIZE A3	
MATERIAL	FINISH	WEIGHT	CAGE CODE 00779	DRAWING NO T13701021XX000	RESTRICTED TO	
-	-	-	SCALE 1:1		SHEET 1 OF 1	REV A
Customer Drawing						