

Cable connector - CA-06P1N8AT006 - 1620288

Please be informed that the data shown in this PDF Document is generated from our Online Catalog. Please find the complete data in the user's documentation. Our General Terms of Use for Downloads are valid (<http://phoenixcontact.com/download>)

Cable connector, angled, shielded: yes, Screw locking, M23, No. of pos.: 6, type of contact: Pin, Crimp connection, cable diameter range: 4 mm ... 6 mm



The figure shows the product version with solder contacts

Why buy this product

- Angled cable outlet for confined spaces
- Can be adapted to various applications, thanks to adjustable cable outlet direction
- Safe use in the field, thanks to high degree of protection
- Connector for flexible on-site assembly
- Consistent EMC protection for reliable transmission of signals
- Crimping connection: vibration- and temperature-resistant assembly



Key Commercial Data

| | |
|--------------|---------------|
| Packing unit | 1 STK |
| GTIN | |
| GTIN | 4046356817981 |

Technical data

Temperature range

| | |
|---------------------------------|-------------------|
| Ambient temperature (operation) | -40 °C ... 125 °C |
|---------------------------------|-------------------|

Data of the insulating body

| | |
|---------------------------|--|
| Note | Order information: Order crimp contacts separately |
| Coding | N |
| Insulator material | PA 6.6 |
| Contact connection method | Crimp connection |
| Type of contacts | Pin |
| Application | Signal |
| Number of positions | 6 |

Cable connector - CA-06P1N8AT006 - 1620288

Technical data

Data of the insulating body

| | |
|---|--------|
| Contact diameter of power contacts | 2 mm |
| Nominal current per power contact at 25°C | 20 A |
| Nominal voltage, power contact | 300 V |
| Rated surge voltage | 2.5 kV |
| Overvoltage category | II |
| Degree of pollution | 3 |

Housing data

| | |
|--|--|
| Housing material | Turned parts: copper zinc alloy (CuZn), die-cast parts: zinc (GD-Zn) |
| Type of locking | Screw locking |
| Degree of protection (when plugged in) | IP67 |
| Thread type | M23 |

Cable seal data

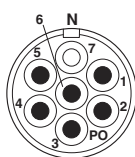
| | |
|------------------|---------------|
| Cable diameter | 4 mm ... 6 mm |
| Sealing material | NBR |

Environmental Product Compliance

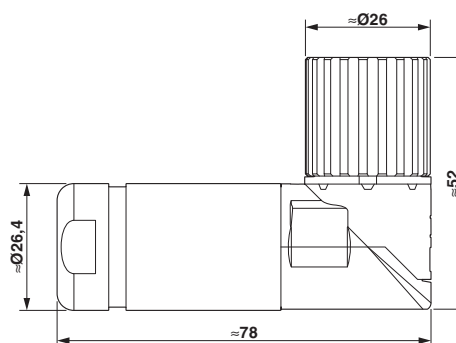
| | |
|------------|---|
| REACH SVHC | Lead 7439-92-1 |
| China RoHS | Environmentally Friendly Use Period = 50 |
| | For details about hazardous substances go to tab "Downloads", Category "Manufacturer's declaration" |

Drawings

Schematic diagram



Dimensional drawing



Approvals

Approvals

Approvals

UL Recognized / cUL Recognized / cULus Recognized

Cable connector - CA-06P1N8AT006 - 1620288

Approvals

Ex Approvals

Approval details

| | | |
|----------------------------|-------|--|
| UL Recognized | | http://database.ul.com/cgi-bin/XYV/template/LISEXT/1FRAME/index.htm E335019-20141210 |
| Nominal voltage UN | 300 V | |
| Nominal current IN | 17 A | |
| mm ² /AWG/kcmil | 14 | |

| | | |
|----------------------------|-------|--|
| cUL Recognized | | http://database.ul.com/cgi-bin/XYV/template/LISEXT/1FRAME/index.htm E335019-20141210 |
| Nominal voltage UN | 300 V | |
| Nominal current IN | 10 A | |
| mm ² /AWG/kcmil | 14 | |

| | |
|------------------|--|
| cULus Recognized | |
|------------------|--|

Phoenix Contact 2018 © - all rights reserved
<http://www.phoenixcontact.com>

PHOENIX CONTACT GmbH & Co. KG
Flachsmarktstr. 8
32825 Blomberg
Germany
Tel. +49 5235 300
Fax +49 5235 3 41200
<http://www.phoenixcontact.com>