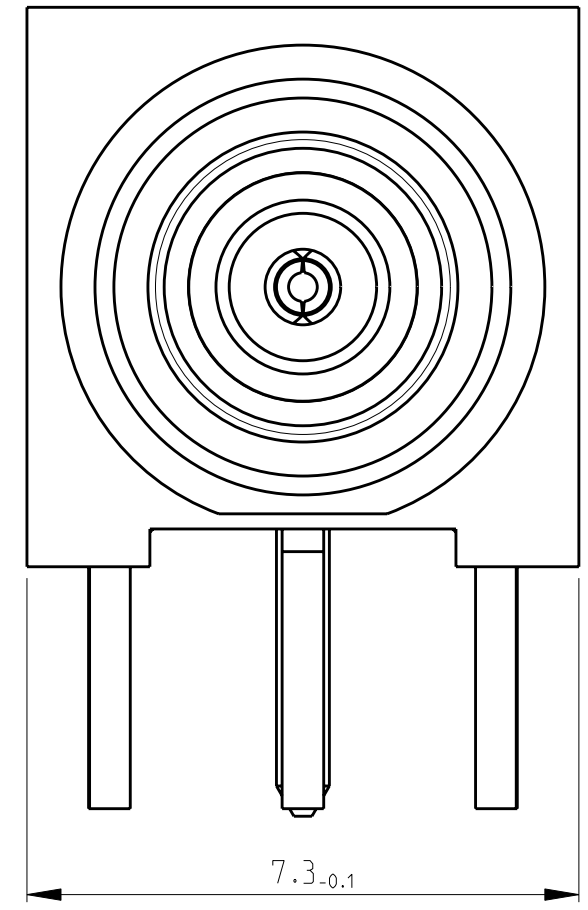
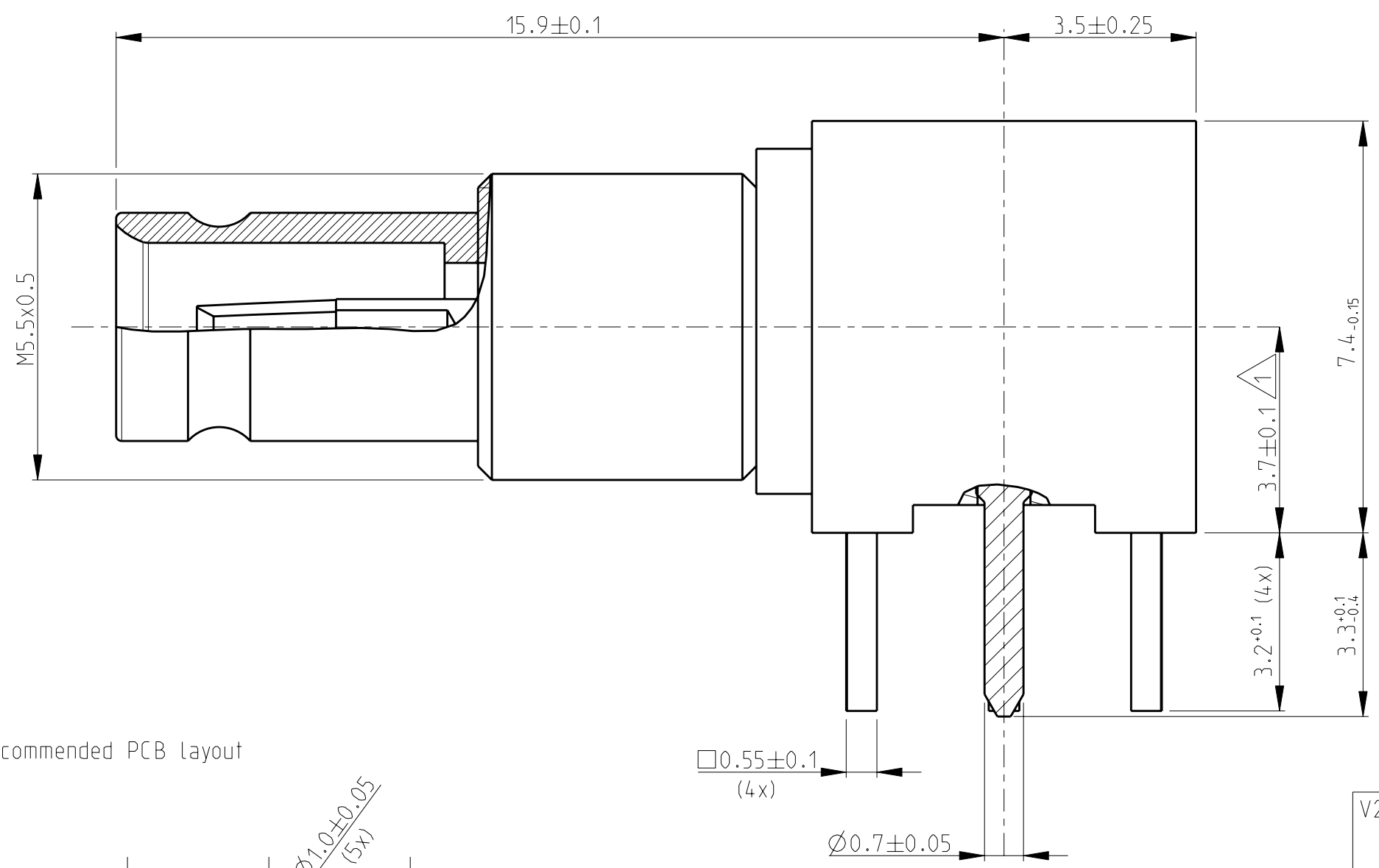
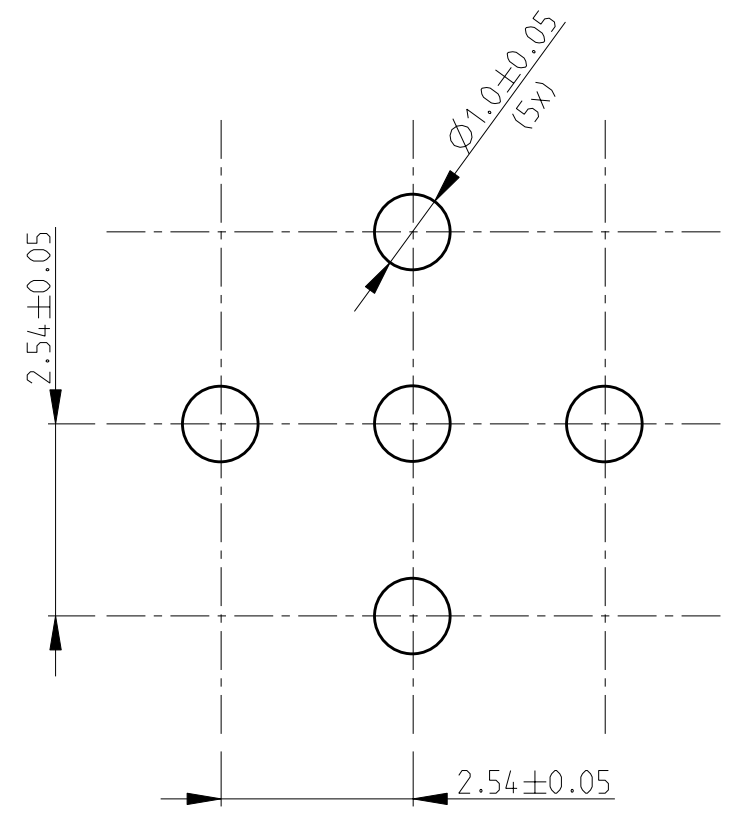


THIS DRAWING IS UNPUBLISHED. RELEASED FOR PUBLICATION 2000
 © COPYRIGHT 2000 BY TYCO ELECTRONICS CORPORATION. ALL RIGHTS RESERVED.

LOC	DIST	REVISIONS					
		P	LTR	DESCRIPTION	DATE	DWN	APVD
IS	-		A1	SR10-0138-01	5APR2001	CM	KM
			A2	ECR-07-030292	14DEC2007	MS	DB
			A3	ECR-07-030440	17DEC2007	MS	DB

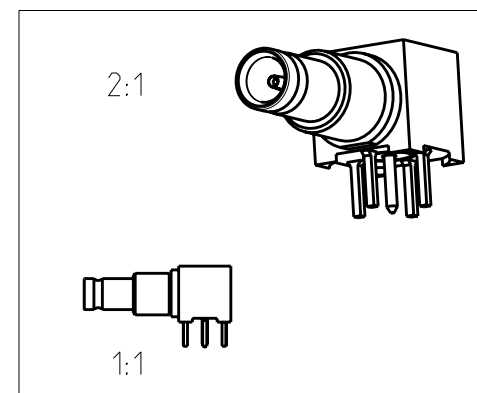


Recommended PCB layout



- 2. Mating face according to DIN 47297 and CECC 22230
 - 1 Installation dimension
- All dimensions are max dimensions unless otherwise specified

V23600-A1227-G1	3-1393670-9	Body	Brass	4 µm Ag min / Sn on solder pins
		Dielectric	PTFE	
		Outer Con.	Brass	1 µm Au min in contact area or equivalent
		Center Con.	Cu Be / Bz4	1 µm Au min in contact area or equivalent
Old Nr	TE Nr	Description	Material	Plating



<small>THIS DRAWING IS A CONTROLLED DOCUMENT FOR TYCO ELECTRONICS CORPORATION. IT IS SUBJECT TO CHANGE AND THE CONTROLLING ENGINEERING ORGANIZATION SHOULD BE CONTACTED FOR THE LATEST REVISION.</small>	
DIMENSIONS:	TOLERANCES UNLESS OTHERWISE SPECIFIED:
mm	
	0 PLC ±
	1 PLC ±0.5
	2 PLC ±0.13
	3 PLC ±0.013
	4 PLC ±0.0001
	ANGLES ±
MATERIAL	FINISH
-	-

DWN MOROBE 02APR2001	Tyco Electronics Lugano - Switzerland	
CHK MATTHEEWS 3APR2001	NAME	
APVD BOZZER 5APR2001	BULKHEAD ANGLE JACK WITH PCB CONNECTION 1.0/2.3 50 Ohm	
PRODUCT SPEC 108-71032	SIZE A3	CAGE CODE 00779
APPLICATION SPEC	DRAWING NO C-3-1393670-9	RESTRICTED TO -
WEIGHT -	SCALE 10/1	SHEET 1 OF 1
		REV A3