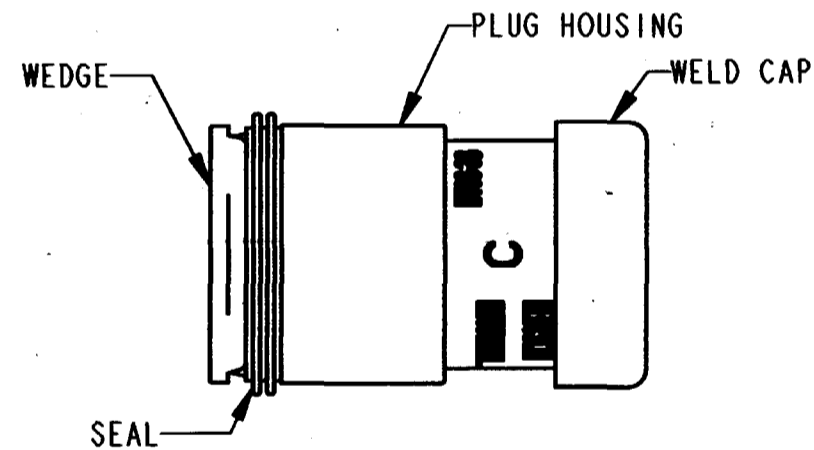
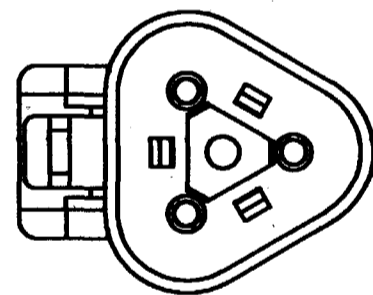
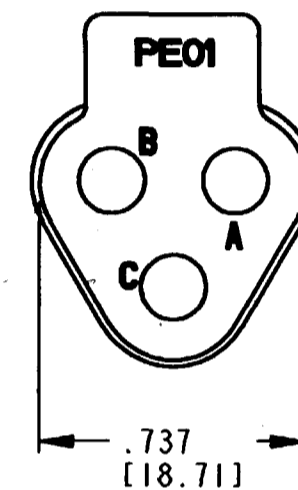
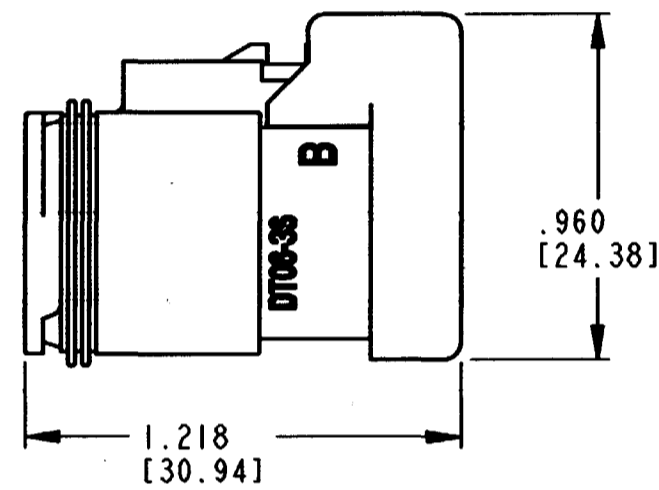
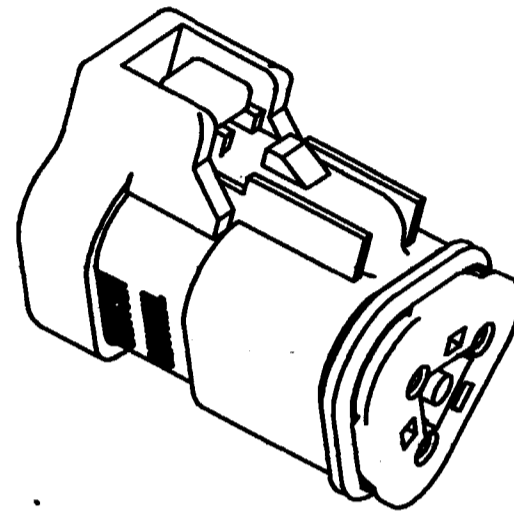


REV
A DT06-3S-PE01

REVISIONS			
SYM	DESCRIPTION	DATE	APPROVED
NC	NEW RELEASE PER E.O. P17338	8/2/01	R.D.R.
A	REVISED PER E.O. P19928	6-26-00	ABR




- NOTES:
1. ALL DIMENSIONS ARE INCHES (MILLIMETERS).
 2. ALL DIMENSIONS ARE $\pm .025$ [.63] UNLESS OTHERWISE SPECIFIED.
 3. FOR WIRE PERFORMANCE AND APPLICATION CHARACTERISTICS, SEE ENVELOPE DRAWINGS 0425-015-0000 AND 0425-017-0000.
 4. THIS CONNECTOR CAN PASS THROUGH A ONE INCH HOLE.
 5. THIS PLUG MATES WITH DT04-3P-J1939 SERIES CONNECTORS ONLY. CONSULT FACTORY FOR MODIFICATION NUMBERS.
 6. RESISTOR CHARACTERISTICS: 120 OHMS ± 10 PERCENT, .4 WATTS MINIMUM.

SIGNATURE & DATE	
DR	T. YOHANNES 23JUL01
CHK	R. M. M. 6/22/00
PE	K. M. M. 6-24-00
APPD	S. A. M. 6-25-00
SCALE	NONE WT

3 WAY PLUG
WITH TERMINATING RESISTOR
DT SERIES
PE01 MOD.

ENVELOPE

EP	MATL. CODE
 3850 INDUSTRIAL AVE. HEMET, CA 92545	
DEUTSCH INDUSTRIAL	
B	DT06-3S-PE01
DWG SIZE	CODE SHEET OF
11139	