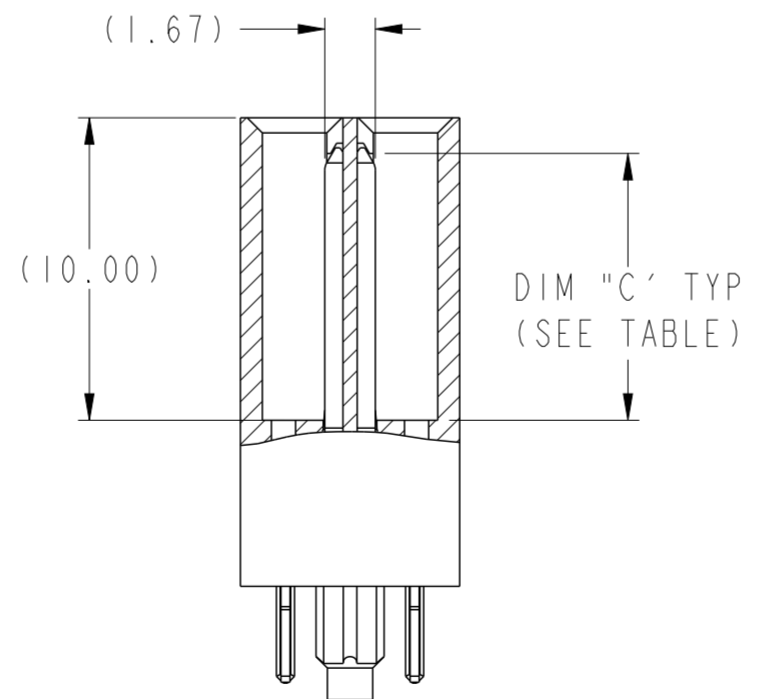


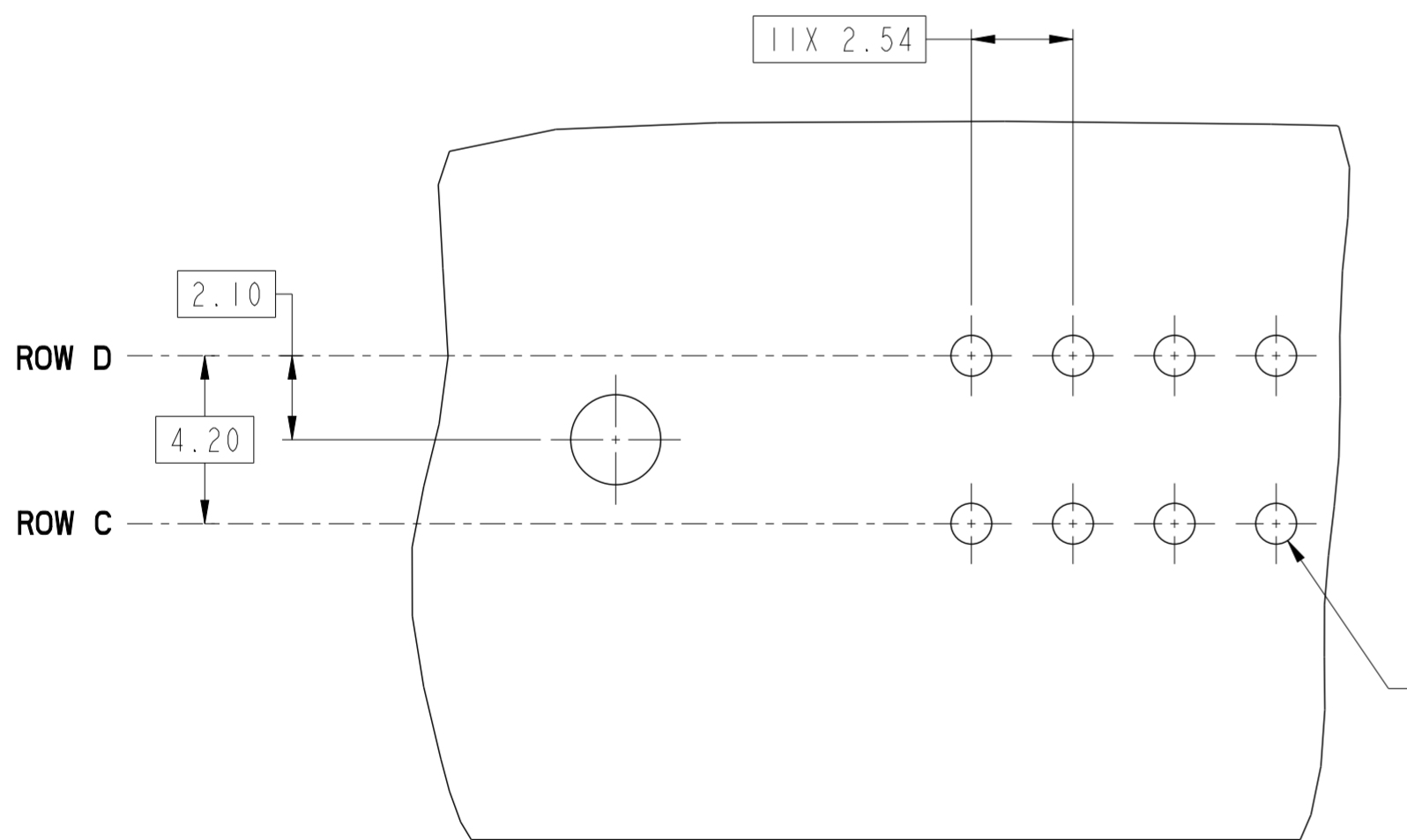
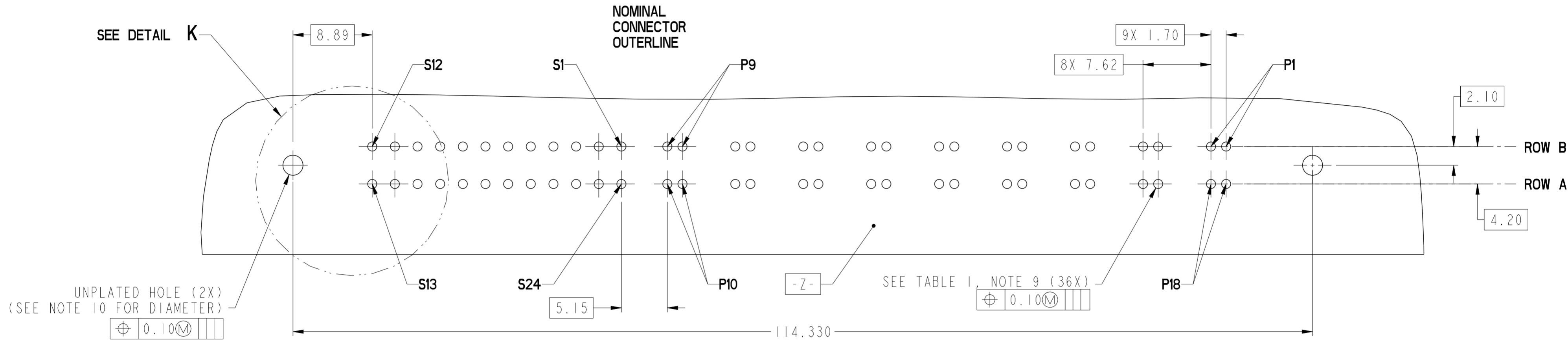
SECTION A-A
SCALE 4:1



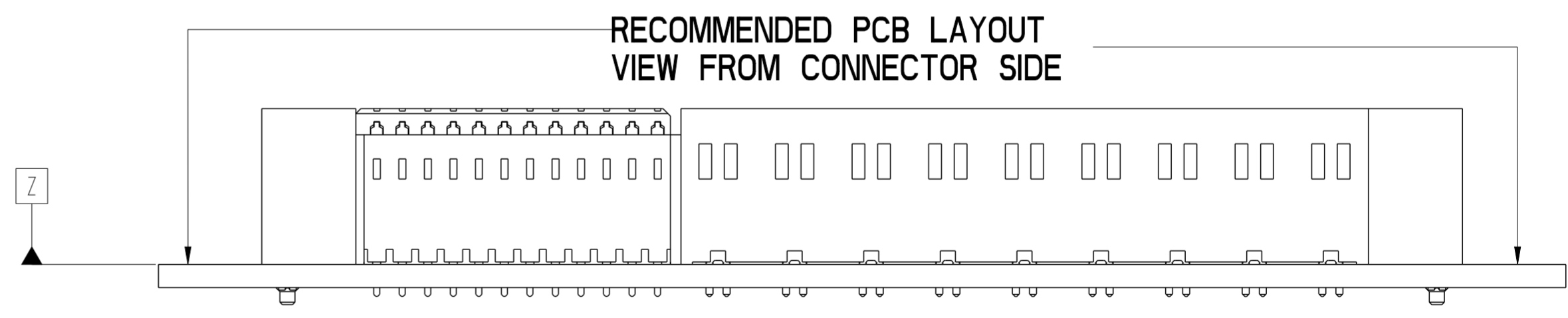
SECTION B-B
SCALE 4:1

spec ref	-	dr	S Jaganathan	2012/06/25	projection	MM	size	A2	scale	3:1
tolerance std	ASME Y14.5	eng	Liu Jenson	2014/04/22			ecn no	ELX-DG-17541-1	rel level	Released
TOLERANCES UNLESS OTHERWISE SPECIFIED		chr	Jon Qin	2014/04/25						
		appr	Collins Lu	2014/04/25						
surface	ASME Y14.5	linear	0.X	±0.3	product family	HPCE	rel level	Blue	cat. no.	-
			0.XX	±0.10	product family	HPCE	rel level	Blue	cat. no.	-
		angular	0°	±2°	product family	HPCE	rel level	Blue	cat. no.	-
				VERTICAL HEADER (36HP-24S) HPCE CTB VERT - HEADER		dwg no 10120942		rev D		
		www.fci.com		Product - Customer Drw		sheet 1 of 4				

CONTACT TYPE	TOP LAYER DESCRIPTION	TABLE 1 (HPCE / SOLDER TAILS) PLATED THROUGH-HOLE REQUIREMENTS				
		DRILLED HOLE DIAMETER	COPPER THICKNESS	TIN-LEAD THICKNESS	TIN THICKNESS	FINISHED HOLE DIAMETER
POWER & SIGNAL	TIN-LEAD	1.10-1.16 (1.15 DRILL)	0.025 - 0.050	0.005 - 0.015	--	0.94 - 1.10
	IMMERSION TIN	1.10-1.16 (1.15 DRILL)	0.025 - 0.050	--	0.9 - 1.5um	0.94 - 1.10
	COPPER (SEE NOTE 8)	1.10-1.16 (1.15 DRILL)	0.025 - 0.050	--	--	0.94 - 1.10



DETAIL K
SCALE 6:1



SCALE 2:1

spec ref	-	dr	S Jaganathan	2012/06/25	projection	MM	size	A2	scale	3:1			
tolerance std	ASME Y14.5	eng	Liu Jenson	2014/04/22			ecn no ELX-DG-17541-1	rel level Released	title VERTICAL HEADER (36HP-24S) HPCE CTB VERT - HEADER	dng no 10120942	rev D		
TOLERANCES UNLESS OTHERWISE SPECIFIED		chr	Jon Qin	2014/04/25								product family	HPCE
surface	ASME Y14.5	appr	Collins Lu	2014/04/25								cat. no.	-
linear	0.X ±0.3 0.XX ±0.10 0.XXX ±0.050	angular	0° ±2°	www.fci.com		PDS: Rev :D		STATUS:Released		Printed: Apr 25, 2014			

Copyright FCI. FCI

PRODUCT PART NUMBER

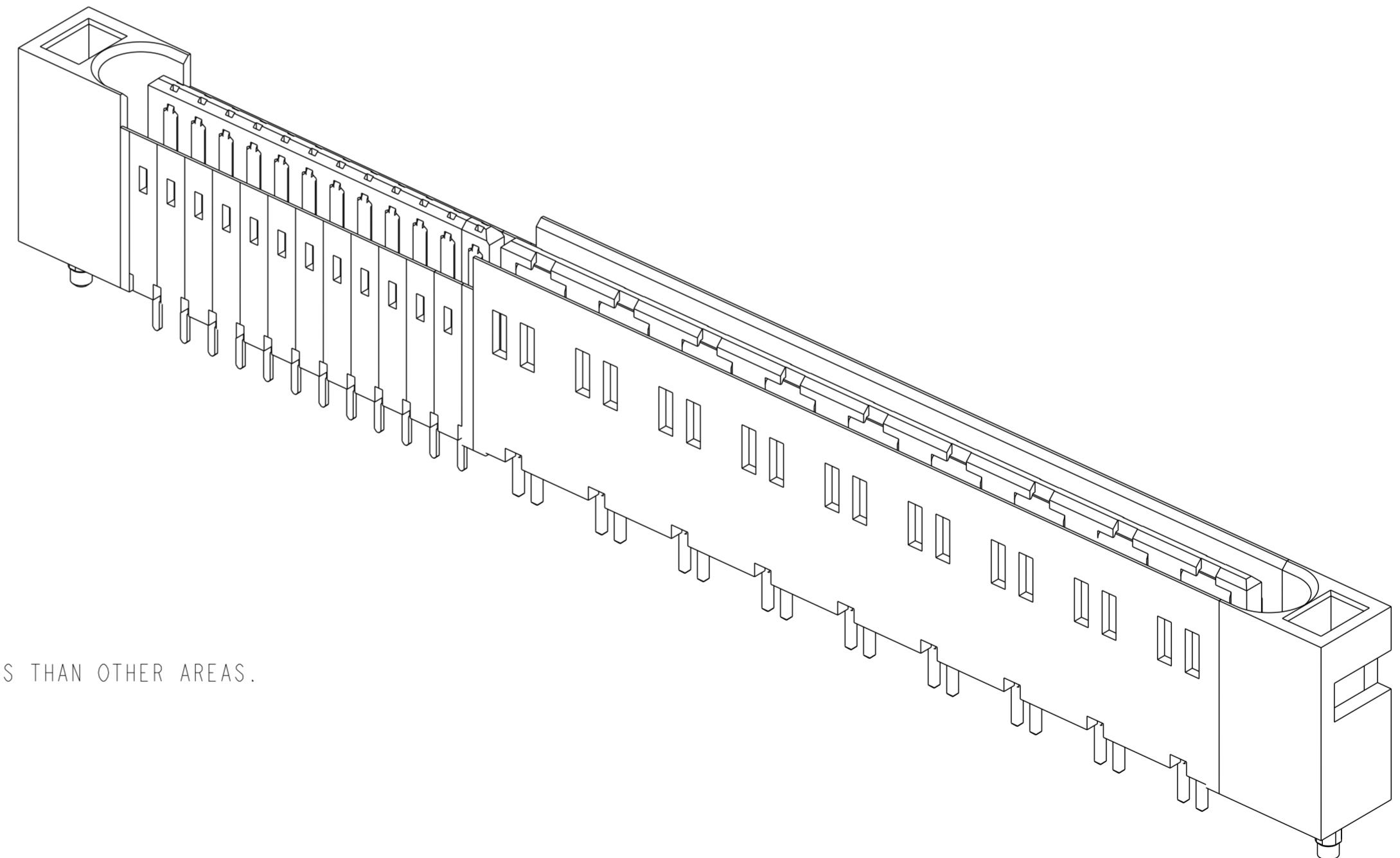
10120942-□□□□LF

BASE PART NUMBER

CONTACT AREA PLATING
 UNDERPLATED 50u"(1.27um) MIN. NICKEL
 1: 100u"(2.5um) MIN. Ag
 2: 30u"(0.760um) MIN. GXT

FIRST MATE LAST BREAK PIN POSITION
 000: ALL PINS ARE LONG PINS SEE TABLE

DIM "A", TAIL LENGTH
 1: 2.60±0.25mm (PCB THK 1.57±0.13mm)
 2: 3.25±0.25mm (PCB THK 2.36±0.13mm)



NOTES:

1. CONNECTOR MATERIALS:
 HOUSING: HIGH TEMPERATURE THERMAL PLASTIC, BLACK UL 94V-0 COMPLIANT
 CONTACTS: HIGH PERFORMANCE COPPER ALLOY.
2. CONTACT FINISH REF. GS-12-1031 SECTION 5.2
3. PRODUCT SPECIFICATION: GS-12-1031
4. APPLICATION SPECIFICATION: GS-20-0369
5. PRODUCT MARKING (FCI PART NUMBER & DATE CODE) ON HOUSING IN AREA SHOWN.
6. PACKAGING MEETS FCI SPECIFICATION GS-14-2272.
7. HOUSING COMPONENT WILL WITHSTAND EXPOSURE TO 260°C PEAK TEMPERATURE FOR 60 SECONDS IN A CONVECTION, INFRA-RED, OR VAPOR PHASE REFLOW OVEN.
8. COPPER PLATING THICKNESS IN CENTER OF VIA-HOLE CAN BE NO MORE THAN 0.003 LESS THAN OTHER AREAS.
9. ALL HOLE SIZES ARE FINISHED HOLE SIZES.
10. MOUNTING HOLES ARE UNPLATED
 $\varnothing 2.25 \pm 0.05$ FOR SOLDER TAILS

spec ref	-	dr	S Jaganathan	2012/06/25	projection	MM	size	A2	scale	3:1	
tolerance std	ASME Y14.5	eng	Liu Jenson	2014/04/22			ecn no	ELX-DG-17541-1			
TOLERANCES UNLESS OTHERWISE SPECIFIED		chr	Jon Qin	2014/04/25			rel level	Released			
surface	linear	appr	Collins Lu	2014/04/25			product family	HPCE			
ASME Y14.5	angular	0°	±2°	www.fci.com	cat. no.	-	Product - Customer Drw	sheet 3 of 4	rev	D	

000	END MODULE	SIGNAL CONTACT													POWER CONTACT										END MODULE
			12	11	10	9	8	7	6	5	4	3	2	1	9	8	7	6	5	4	3	2	1		
		ROW C	S3	S3	S3	S3	S3	S3	S3	S3	S3	S3	S3	S3	P3	P3	P3	P3	P3	P3	P3	P3	P3	P3	
ROW D	S3	S3	S3	S3	S3	S3	S3	S3	S3	S3	S3	S3	P3	P3	P3	P3	P3	P3	P3	P3	P3	P3	ROW B		

	ROW#	S#	DIM "B"±0.25	DIM "A"±0.25
SIGNAL CONTACT	ROW C	S1	8.73	3.25
		S2	7.46	3.25
		S3	8.73	2.60
		S4	7.46	2.60
		S9	8.73	3.25
		S10	7.46	3.25
	ROW D	S1	8.73	3.25
		S2	7.46	3.25
		S3	8.73	2.60
		S4	7.46	2.60
	S9	8.73	3.25	
	S10	7.46	3.25	

	ROW#	P#	DIM "C"±0.25	DIM "A"±0.25
POWER CONTACT	ROW A	P1	8.86	3.25
		P2	7.59	3.25
		P3	8.86	2.60
		P4	7.59	2.60
		P9	8.86	3.25
		P10	7.59	3.25
	ROW B	P1	8.86	3.25
		P2	8.86	3.25
		P3	7.59	2.60
		P4	7.59	2.60
	P9	8.86	3.25	
	P10	7.59	3.25	

spec ref	-	dr	S Jaganathan	2012/06/25	projection	MM	size	A2	scale	3:1					
tolerance std	ASME Y14.5	eng	Liu Jenson	2014/04/22		←	ecn no	ELX-DG-17541-1							
TOLERANCES UNLESS OTHERWISE SPECIFIED		chr	Jon Qin	2014/04/25			rel level	Released							
surface	✓	appr	Collins Lu	2014/04/25			product family	HPCE							
ASME Y14.5	linear	0.X	±0.3		title		VERTICAL HEADER (36HP-24S)			dwg no	10120942		rev	D	
		0.XX	±0.10		HPCE CTB VERT - HEADER										
	angular	0°	±2°		www.fci.com		cat. no.		-		Product - Customer Drw			sheet 4 of 4	

Copyright FCI. FCI