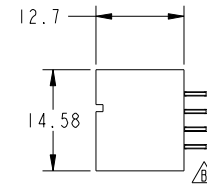
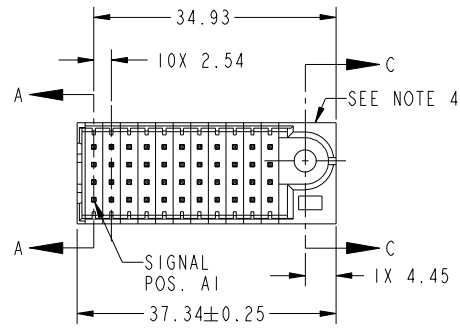


Tous droits strictement reserves. Reproduction ou communication a des tiers interdite sous quelque forme que ce soit sans autorisation écrite du propriétaire. Propriete de c FCI. Droits de reproduction FCI.



All rights strictly reserved. Reproduction or issue to third parties in any form whatever is not permitted without written authority from the proprietor. Property of FCI. Copyright FCI.

PRODUCT NO.	ROWS	SIGNAL										
		E1	1	2	3	4	5	6	7	8	9	10
51952-143-- NOTE ③	D	[Grid of G's]										
	C	[Grid of G's]										
	B	[Grid of G's]										
	A	[Grid of G's]										



CODE	DIM "M" MATING LENGTH	CONTACT TYPE
G	[6.86]	SIGNAL

mat'l code				tolerances unless otherwise specified		CUSTOMER		FCI	
ltr	ecn no.	dr	date	linear	0.X ±0.5	COPY		www.fciconnect.com	
A	DG09-0022	JW	01/14/09		0.XX ±0.25	projection		title 44S	
B	DG09-0077	JW	03/26/09	angles	0.XXX ±0.1	MIM		VERTICAL PRESS-FIT HEADER	
				dr	0° ±2°	scale		product family PwrBlade code 213	
				enr	JULIA WANG 01/14/09	1:1		size dwg no 51952-143 sheet 1 of 3	
				chr	JEROME CHEN 01/14/09				
				appd	GARY HSIEH 01/14/09				
					JOSEPH HSIA 01/14/09				
sheet index	revision sheet	B 1	B 2	B 3					

cage code 22526

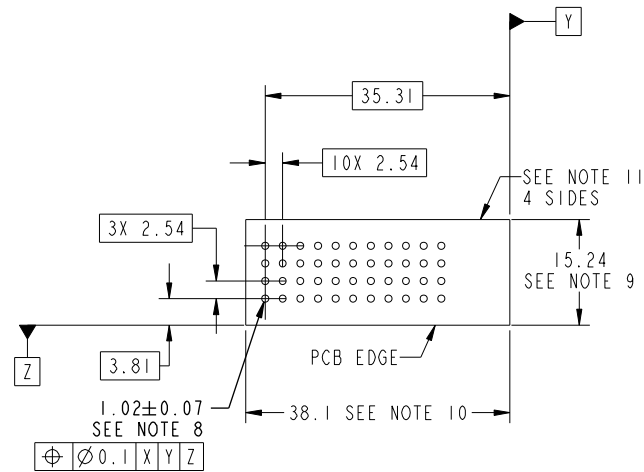
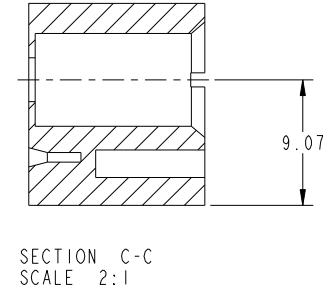
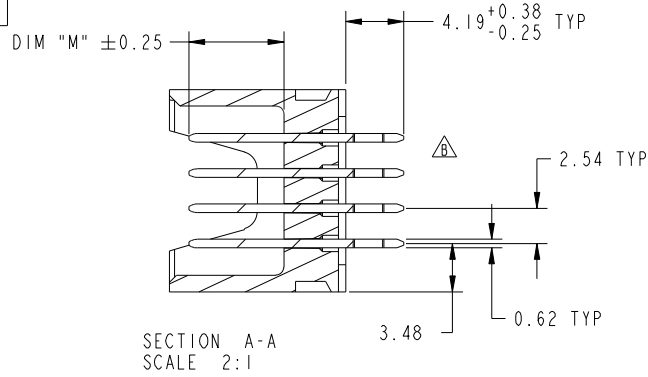
Pro/E

Tous droits strictement reserves. Reproduction ou communication a des tiers interdite sous quelque forme que ce soit sans autorisation écrite du propriétaire. Propriete de c FCI. Droits de reproduction FCI.



All rights strictly reserved. Reproduction or issue to third parties in any form whatever is not permitted without written authority from the proprietor. Property of FCI. Copyright FCI.

PRODUCT NUMBER  
51952-143--  
NOTE 3



mat'l code				tolerances unless otherwise specified		CUSTOMER		FCI	
ltr	ecn no.	dr	date	linear	0.X ± 0.5	COPY		www.fciconnect.com	
B					0.XX ± 0.25	projection		title 44S	
				angles	0.XXX ± 0.1			VERTICAL PRESS-FIT HEADER	
				dr	0° ± 2°			product family PwrBlade code 213	
				engr	JULIA WANG 01/14/09	scale		size dwg no 213	
				chr	JEROME CHEN 01/14/09	1:1		sheet 2 of 3	
				appd	GARY HSIEH 01/14/09			51952-143	
					JOSEPH HSIA 01/14/09				
sheet index	revision sheet								

Pro/E

cage code 22526

Tous droits strictement reserves. Reproduction ou communication a des tiers interdite sous quelque forme que ce soit sans autorisation écrite du propriétaire. Propriete de c FCI. Droits de reproduction FCI.

All rights strictly reserved. Reproduction or issue to third parties in any form whatever is not permitted without written authority from the proprietor. Property of FCI. Copyright FCI.



PRODUCT NUMBER  
51952-143--  
NOTE 3

NOTES:

1. DIMENSIONS AND TOLERANCES ARE IN ACCORDANCE WITH ASME Y14.5M, 1994 UNLESS OTHERWISE SPECIFIED.

CONNECTOR NOTES:

- 2 HOUSING MATERIAL: UL 94 V-0 GLASS FILLED  
HIGH-TEMP THERMOPLASTIC  
POWER CONTACT MATERIAL: COPPER ALLOY  
SIGNAL PIN MATERIAL: COPPER ALLOY
- 3. PLATING:  
SEE NOTE 3 & 4 IN THE PRINT OF 10064183 FOR PLATING SPEC OF 51952-143 ,51952-143LF RESPECTIVELY.
- 4 MANUFACTURER'S NAME, P/N, AND DATE CODE TO APPEAR ON THIS SURFACE.
- 5. PRODUCT SPECIFICATION GS-12-149.  
APPLICATION SPECIFICATION BUS-20-067.
- 6. PACKAGED IN TRAYS.
- PCB NOTES:  
7. ALL HOLE DIAMETERS ARE FINISHED HOLE SIZE.

- 8  $\varnothing 1.151 \pm 0.025$  DRILLED HOLES PLATED WITH 0.008 MIN SnPb OR Sn OVER .001 [0.03] TO 0.08 Cu PLATING TO ACHIEVE  $\varnothing 1.02 \pm 0.07$  HOLE.
- 9 "DIM XXX" TO BE DETERMINED BY THE CUSTOMER.
- 10 CONNECTOR KEEP-OUT ZONE.
- 11. FOR PRESS FIT APPLICATION USE FCI CAM TOOL 430169-XXX.
- 12. A  $\Delta$  SYMBOL WILL BE NEXT TO ANY DIMENSION, VIEW, OR NOTE WHICH HAS BEEN MODIFIED WITH THE CURRENT DRAWING REVISION.

mat'l code				tolerances unless otherwise specified		CUSTOMER		FCI	
ltr	ecr no.	dr	date	linear	0.X ± 0.5	COPY		www.fciconnect.com	
B					0.XX ± 0.25	projection	title 44S		
				angles	0.XXX ± 0.1			VERTICAL PRESS-FIT HEADER	
				dr	0° ± 2°			product family	PwrBlade
				enr	JULIA WANG 01/14/09	scale	size	dwg no	code
				chr	JEROME CHEN 01/14/09	1:1	A	51952-143	213
				appd	GARY HSIEH 01/14/09				sheet
					JOSEPH HSIA 01/14/09				3 of 3
sheet index	revision sheet								

cage code 22526

Pro/E