

NOTES:

1.0 MATERIALS:

1.1 HOUSING AND C-RING:

STAINLESS STEEL PER ASTM-A582, TYPE 303.

1.2 CENTER CONTACT AND RETAINER CLIP:

BERYLLIUM COPPER ROD ALLOY C172, PER ASTM-B196.

1.3 DIELECTRIC: PTFE FLUOROCARBON PER

ASTM-D1710.

2.0 PLATING:

2.1 HOUSING AND C-RING:

PASSIVATED PER MIL-F-14072 AND
SAE AMS QQ-P-35.

2.2 CENTER CONTACT: GOLD PER MIL-PRF-39012.

2.3 RETAINER CLIP: NICKEL PER QQ-N-290

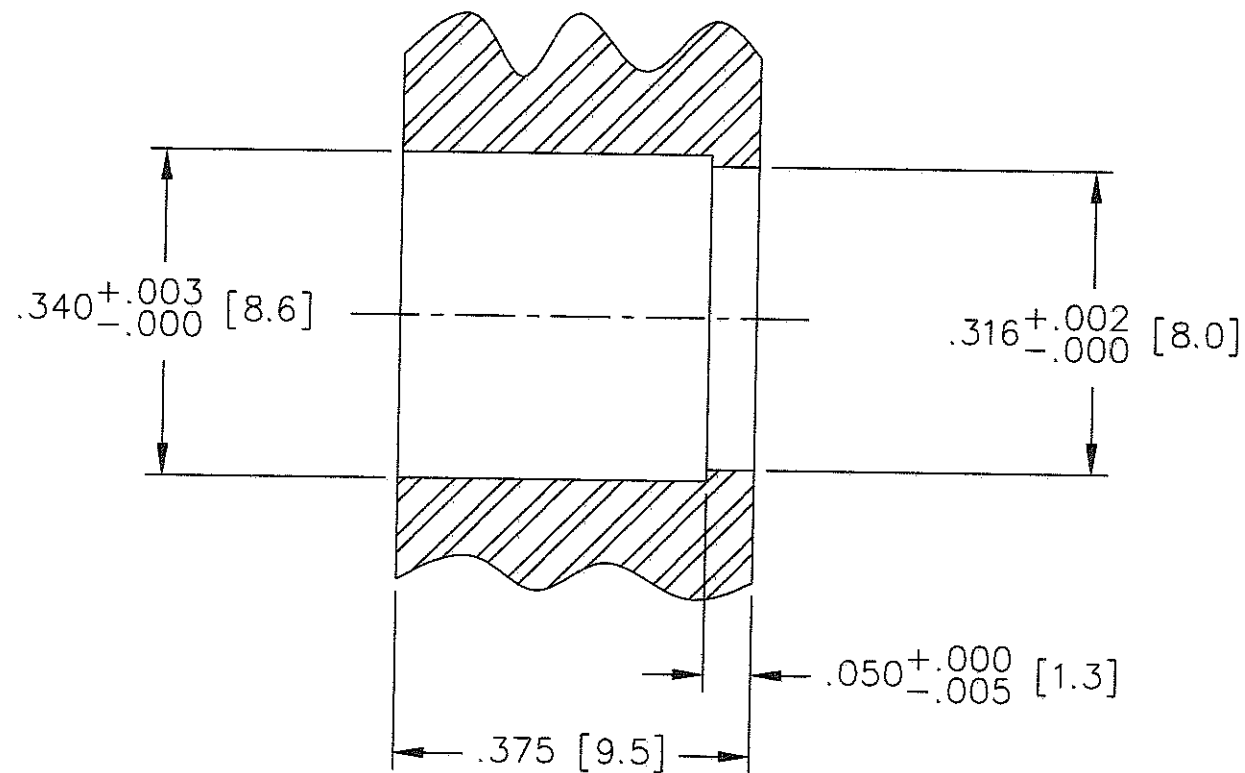
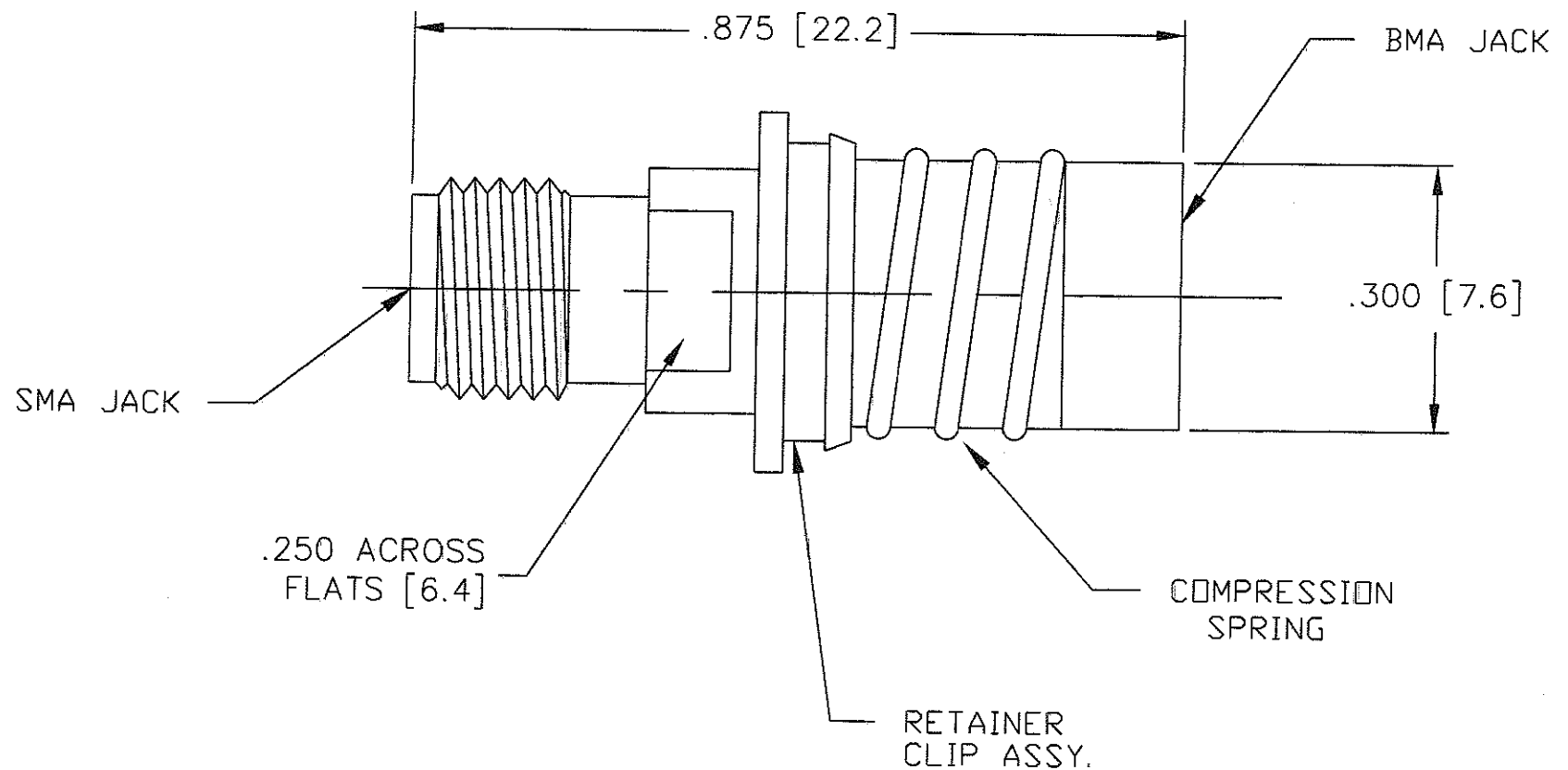
3.0 SPECIFICATIONS:

3.1 FREQUENCY RANGE: DC TO 18.0 GHz

3.2 VSWR: $1.05 + .005f(\text{GHz})$

3.3 IMPEDANCE: 50 OHMS

4.0 DIMENSIONS IN PARENTHESIS ARE MILLIMETERS.



FOR OPTIONS FOR ADDITIONAL
RECOMMENDED MOUNTING DETAIL
CONSULT FACTORY

REV.	DESCRIPTION	DATE
-	RELEASED	3/19/97
A	ECN 19309	7/1/03

UNLESS OTHERWISE NOTED DIMENSIONS ARE IN INCHES AND TOLERANCES ARE: 3 PLACE DECIMALS ±.005 2 PLACE DECIMALS ±.02 FRACTIONS ±1/64 PARALLELITY: T.I.R. _____ FLATNESS: T.I.R. _____ CONCENTRICITY: T.I.R. _____ ANGLES AND PERPENDICULARITY: ±1'	FSCM NO. 34078	MIDWEST MICROWAVE	
	NOTICE: The information contained in this drawing is proprietary and must not be used without the permission of Midwest Microwave	TITLE SMA FEMALE JACK TO BMA FEMALE JACK - FLOATING PANEL MOUNT	
DRAWN/DATE L. BROWN 3/7/97	ENG./DATE G. KOZAK 3/18/97	DRAWING NUMBER ADT-2808-SF-BMF-02	
CHECKED/DATE	APPROVED/DATE <i>[Signature]</i> 7/1/03	SCALE: 5=1	SHEET 1 of 1

MODEL NUMBER
ADT-2808-SF-BMF-02

REV.
A