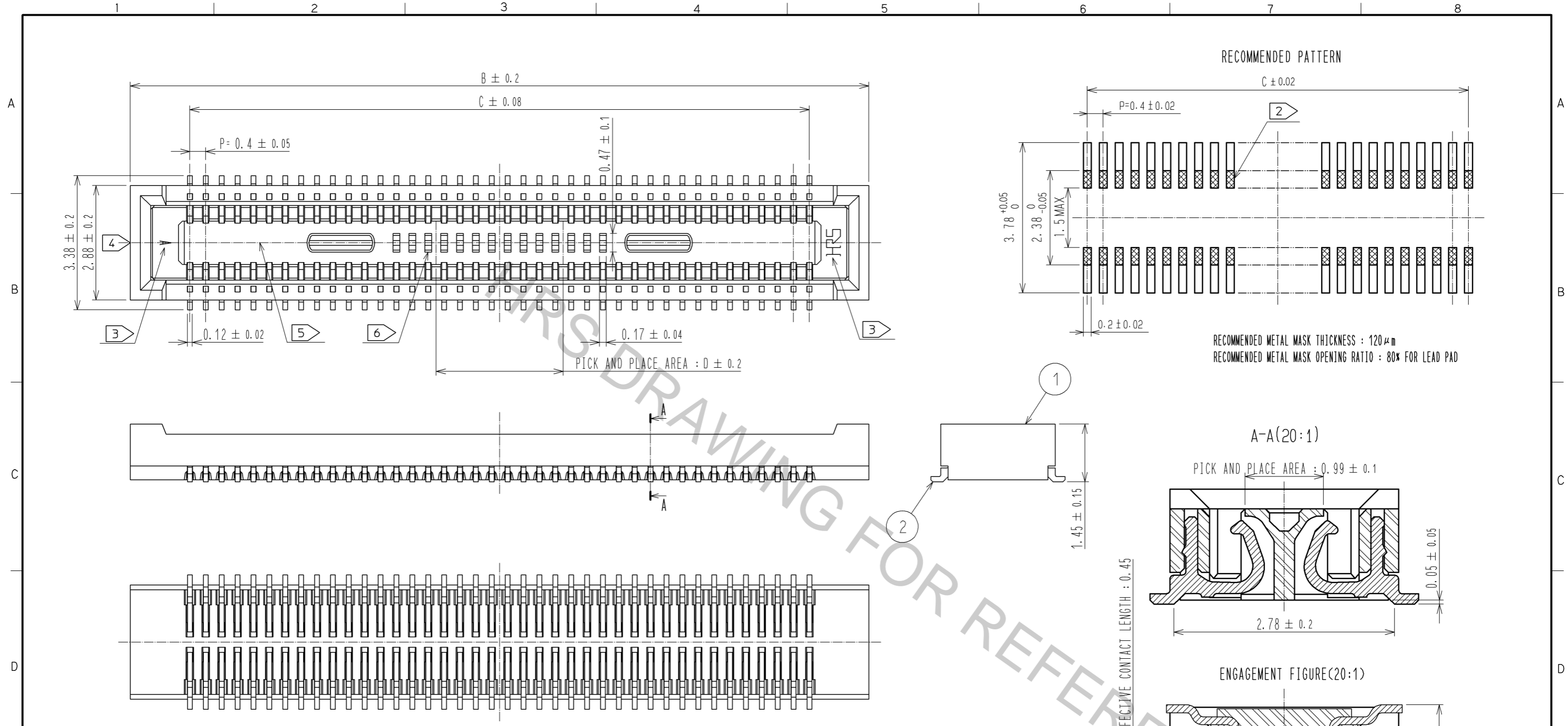


Apr.1.2017 Copyright 2017 HIROSE ELECTRIC CO., LTD. All Rights Reserved.



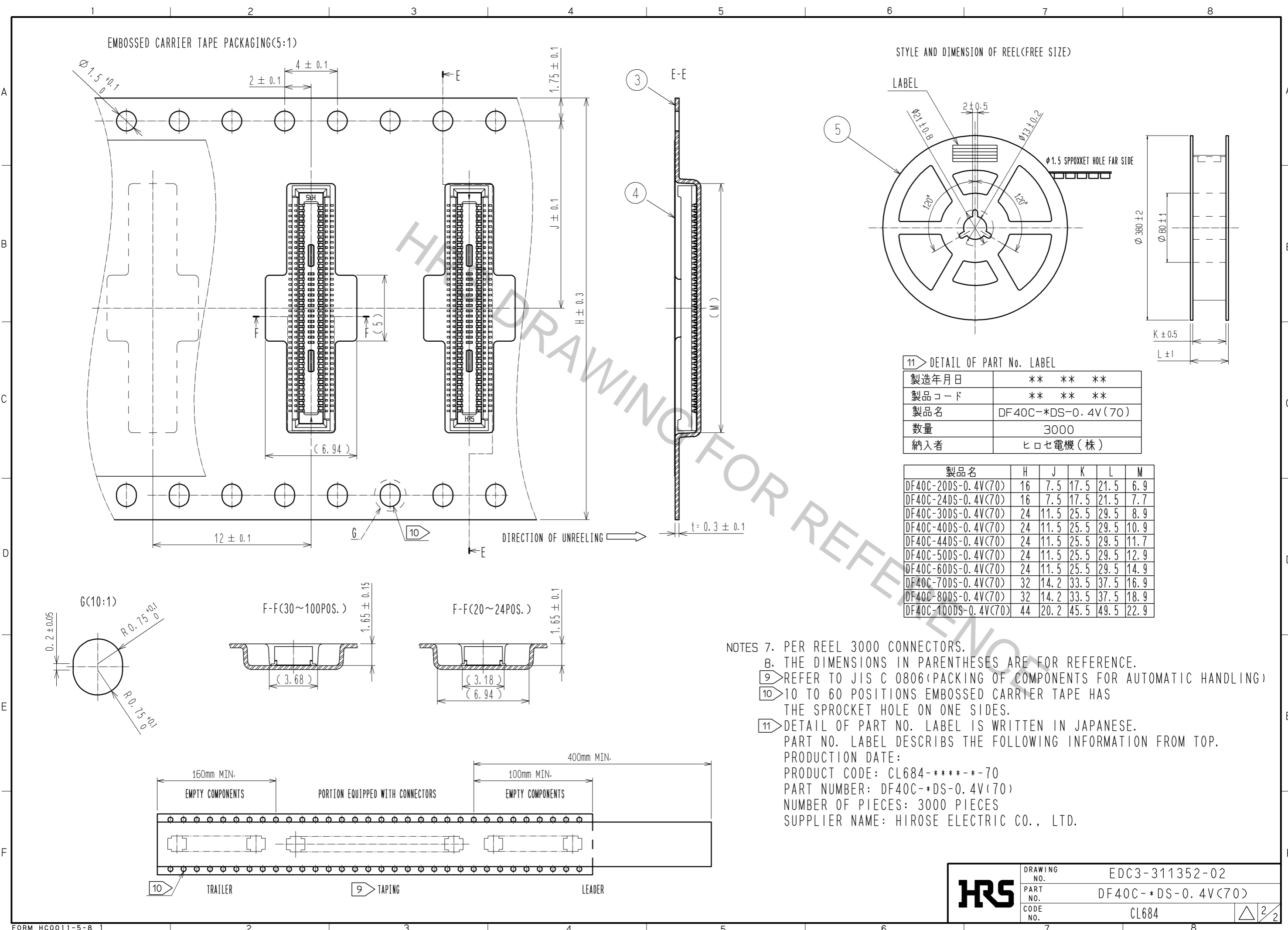
- NOTES) 1. ALL LEADS CO-PLANARITY SHALL BE 0.1 MAX.
 2. IS NO PATTERN AREA OTHER THAN THE SAME CIRCUIT.
 3. HRS MARK AND CAV NO. IS INDICATED IN APPROXIMAL POSITION SHOWN.
 4. GATE POSITION OF 20 TO 50 POSITIONS IS POSITIONED IN APPROXIMAL AREA SHOWN.
 5. GATE POSITION OF 60 TO 100 POSITIONS IS POSITIONED IN APPROXIMAL AREA SHOWN.
 6. 60 TO 100 POSITIONS HAVE CONCAVE PORTION.

| 製品名 | 製品コード | B | C | D |
|----------------------|-----------------|------|------|-----|
| DF40C-20DS-0.4V(70) | CL684-4005-9-70 | 6.6 | 3.6 | 1.0 |
| DF40C-24DS-0.4V(70) | CL684-4006-1-70 | 7.4 | 4.4 | 1.2 |
| DF40C-30DS-0.4V(70) | CL684-4007-4-70 | 8.6 | 5.6 | 1.5 |
| DF40C-40DS-0.4V(70) | CL684-4008-7-70 | 10.6 | 7.6 | 3.2 |
| DF40C-44DS-0.4V(70) | CL684-4096-4-70 | 11.4 | 8.4 | 3.2 |
| DF40C-50DS-0.4V(70) | CL684-4009-0-70 | 12.6 | 9.6 | 3.2 |
| DF40C-60DS-0.4V(70) | CL684-4004-6-70 | 14.6 | 11.6 | 3.2 |
| DF40C-70DS-0.4V(70) | CL684-4016-5-70 | 16.6 | 13.6 | 3.2 |
| DF40C-80DS-0.4V(70) | CL684-4002-0-70 | 18.6 | 15.6 | 3.2 |
| DF40C-100DS-0.4V(70) | CL684-4033-4-70 | 22.6 | 19.6 | 3.2 |

| NO. | MATERIAL | FINISH | REMARKS | NO. | MATERIAL | FINISH | REMARKS |
|-----|-----------------|--------------------------------|---------|-----|-----------|------------------------------|---------|
| 2 | PHOSPHOR BRONZE | CONTACT AREA: GOLD 0.05 μm MIN | | 5 | PS | BLACK | |
| | | SMT LEAD: GOLD 0.05 μm MIN | | 4 | POLYESTER | CLEAR, COVER TAPE | |
| | | UNDERPLATING: NICKEL 1 μm MIN | | 3 | PS | CLEAR, EMBOSSED CARRIER TAPE | |
| 1 | LCP | BLACK, UL94V-0 | | | | | |

| UNITS | SCALE | COUNT | DESCRIPTION OF REVISIONS | DESIGNED | CHECKED | DATE |
|-------|-------|-------|----------------------------------|----------|---------|------|
| mm | 10:1 | △ | APPROVED : KH. IKEDA 09.10.19 | | | |
| | | | CHECKED : AR. TAKAHASHI 09.10.17 | | | |
| | | | DESIGNED : TK. SUZUKI 09.10.17 | | | |
| | | | DRAWN : KR. AJITO 09.10.16 | | | |

| | |
|-------------|--------------------|
| DRAWING NO. | EDC3-311352-02 |
| PART NO. | DF40C-*DS-0.4V(70) |
| CODE NO. | CL684 |



| | | |
|------------|-------------|--------------------|
| HRS | DRAWING NO. | EDC3-311352-02 |
| | PART NO. | DF40C-*DS-0.4V(70) |
| | CODE NO. | CL684 |
| | | △ 2/2 |