

PLEASE CHECK WWW.MOLEX.COM FOR LATEST PART INFORMATION

Part Number: [62203-0400](#)

Status: **Active**

Description: Press-In Tool

Documents:

[RoHS Certificate of Compliance \(PDF\)](#)

General

Product Family	Application Tooling
Series	T0201
Comments	See Tooling Specification (PDF) Above
Function	Insertion
Geographic Area	Global
Level of Automation	Manual
More Detailed Tech Information	applicationtooling@molex.com
Product Name	iPass™
Survey	www.molex.com//review/apptool_survey.html
Tool Type	Handtool
UPC	884982694750

Material Info

Reference - Drawing Numbers

Application Tooling Documents	ATS-622030400
-------------------------------	---------------

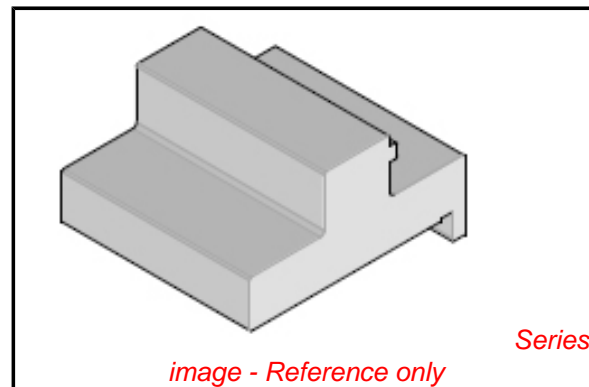


image - Reference only

EU RoHS **China RoHS**

Compliance Status

Not Reviewed

REACH SVHC

Not Reviewed

Low-Halogen Status

Not Reviewed

Need more information on product environmental compliance?

Email productcompliance@molex.com
For a multiple part number RoHS Certificate of Compliance, [click here](#)

Please visit the [Contact Us](#) section for any non-product compliance questions.

Search Parts in this Series

[T0201Series](#)

Use With

[75581](#) iPass 16X PCIE, Integrated Cage and Connector Assembly, Press-Fit, 68 Circuit

Application Tooling Description	FAQ Product #
--	----------------------

0.80mm Pitch, iPass™ Stacked I/O, External Application, Integrated Cage and Connector Assembly, Right Angle, Press-Fit, 136 Circuit, 0.38µm Gold (Au) Plating, Lead-Free	0755810008
0.80mm Pitch, iPass™ Stacked I/O, External Application, Integrated Cage and Connector Assembly, Right Angle, Press-Fit, 136 Circuit,	0755810009

0.76µm Gold (Au)
Plating, Lead-Free

This document was generated on 03/08/2013

PLEASE CHECK WWW.MOLEX.COM FOR LATEST PART INFORMATION