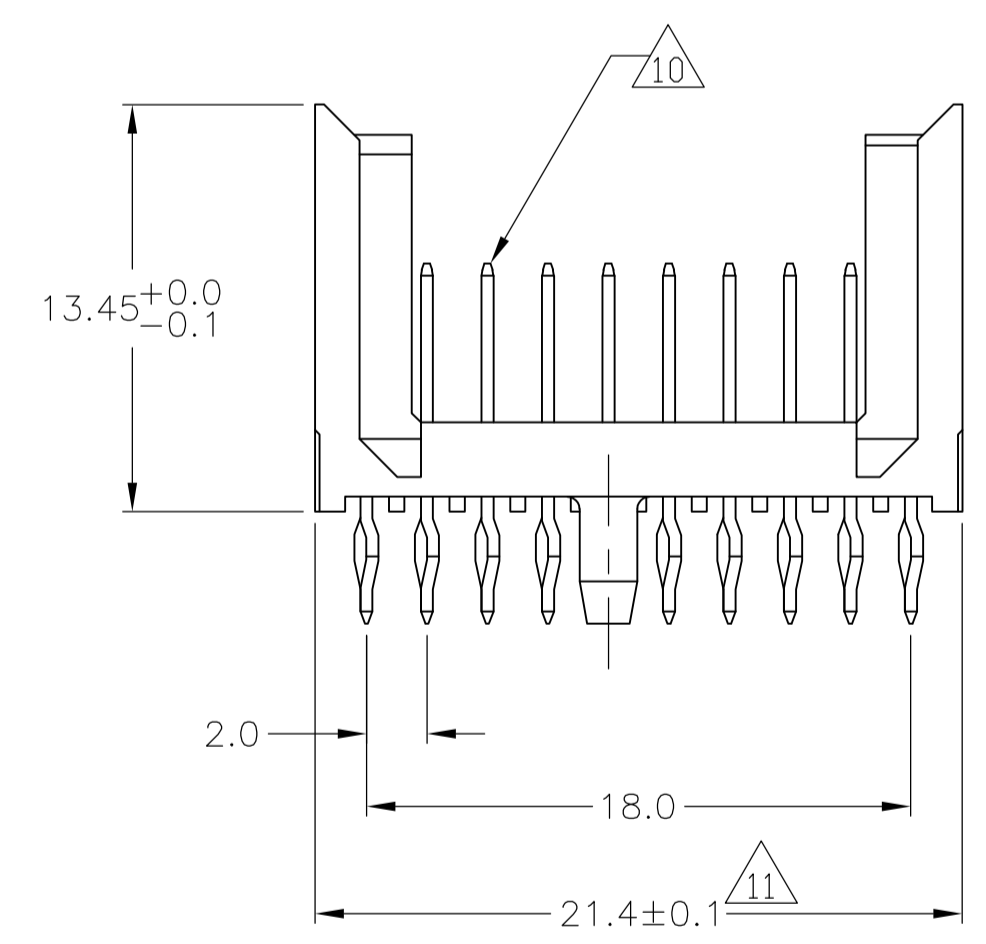
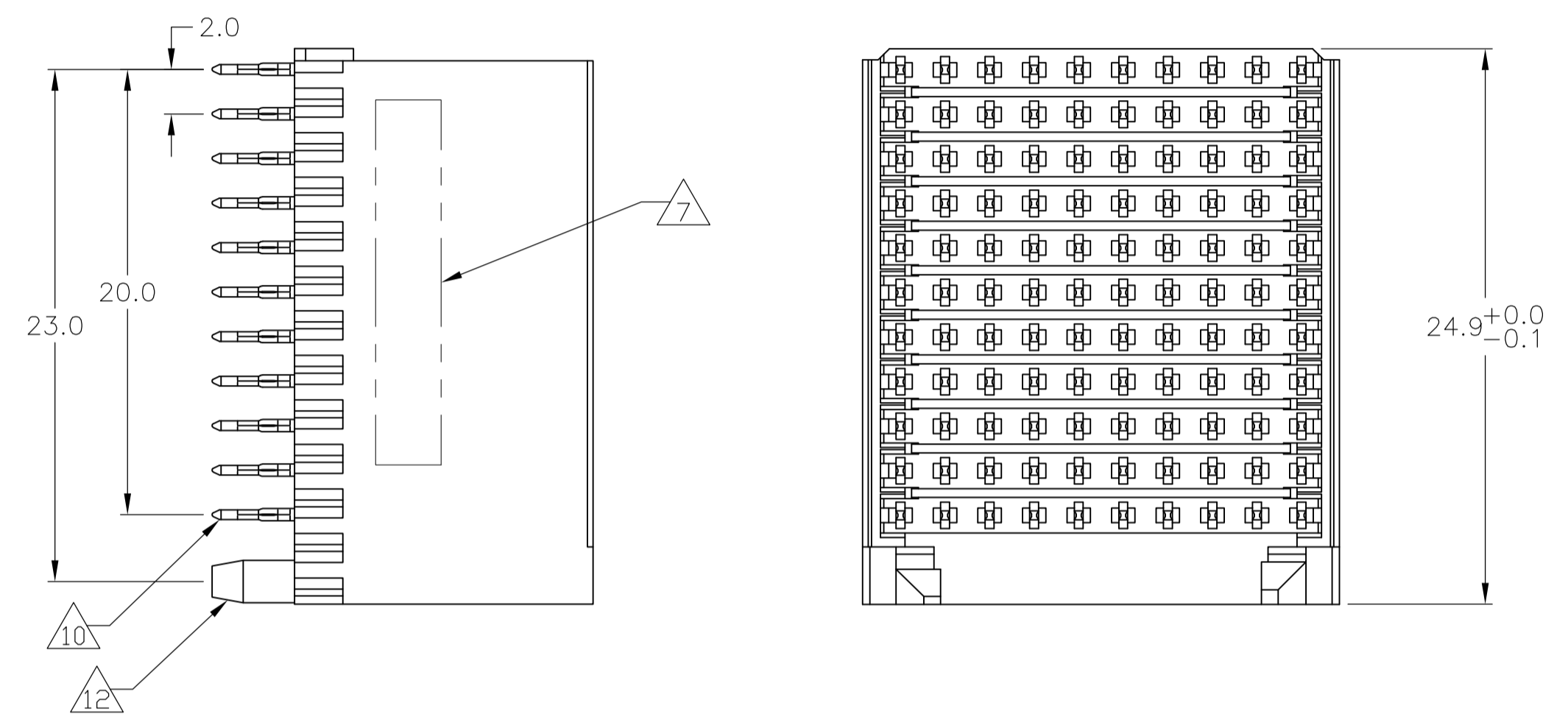
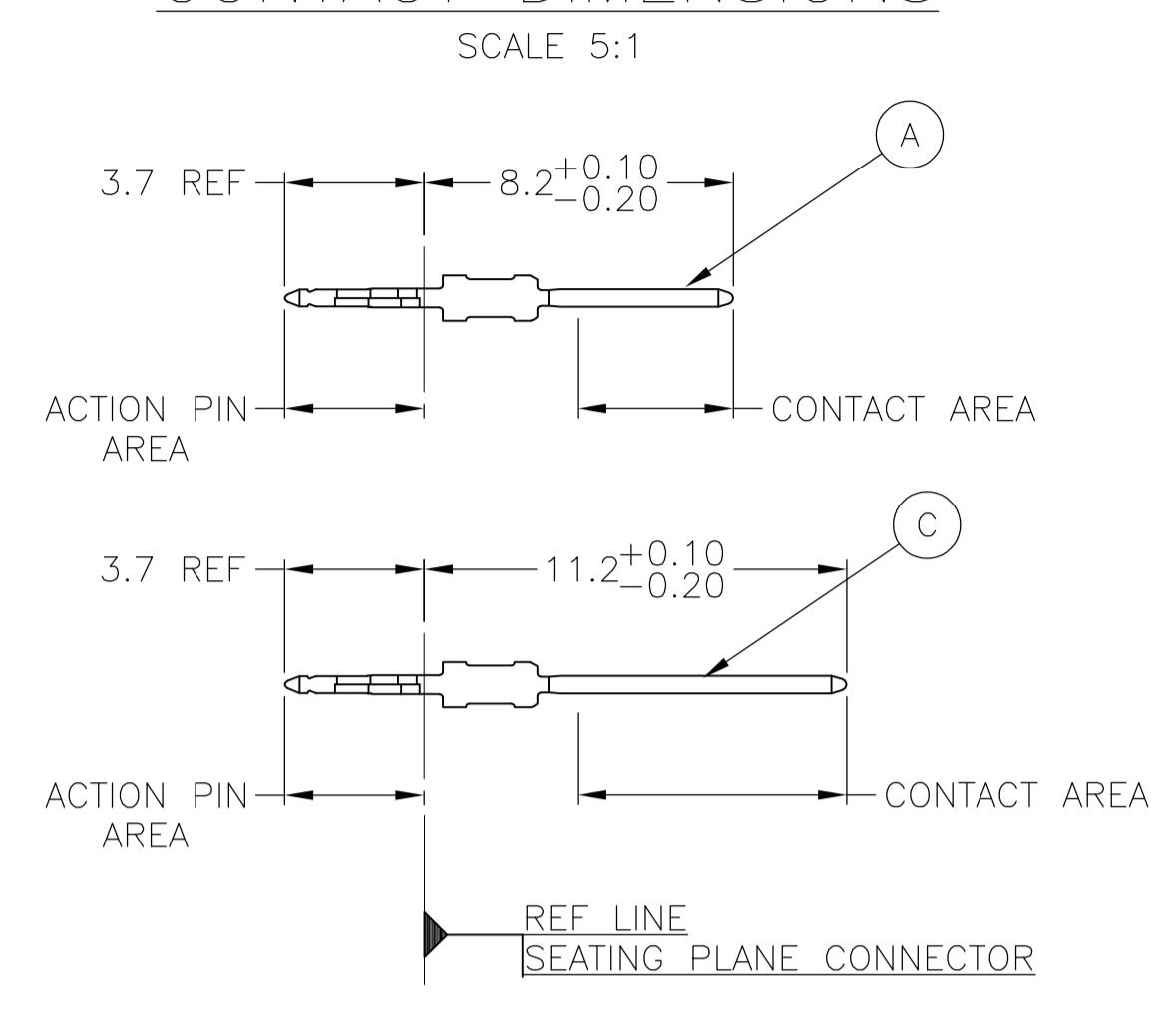


LOC		DIST		REVISIONS				
AD	00	F	LTR	DESCRIPTION	DATE	DWN	APVD	
		D1	REV PER	ECR-09-025815	25NOV09	JY	SY	

### CONNECTOR ASSEMBLY EXAMPLARY LOADED



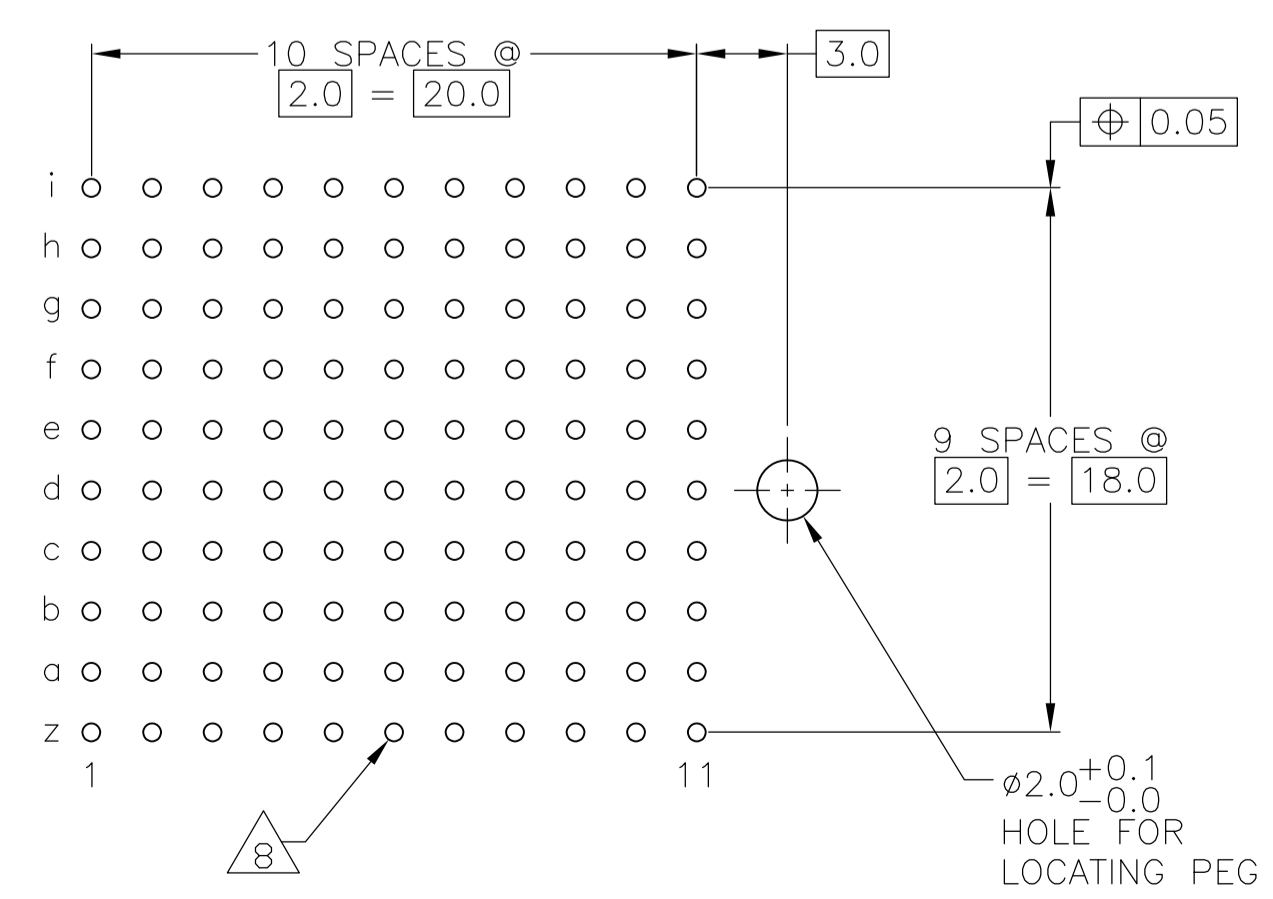
### CONTACT DIMENSIONS



### CONTACT LAYOUT

	z	a	b	c	d	e	f	g	h	i
1	C	A	A	A	A	A	A	A	A	C
2	C	A	A	A	A	A	A	A	A	C
3	C	A	A	A	A	A	A	A	A	C
4	C	A	A	A	A	A	A	A	A	C
5	C	A	A	A	A	A	A	A	A	C
6	C	A	A	A	A	A	A	A	A	C
7	C	A	A	A	A	A	A	A	A	C
8	C	A	A	A	A	A	A	A	A	C
9	C	A	A	A	A	A	A	A	A	C
10	C	A	A	A	A	A	A	A	A	C
11	C	A	A	A	A	A	A	A	A	C
GUIDING										

### RECOMMENDED PCB-HOLE LAYOUT COMPONENT SIDE SHOWN



### PLATED THRU HOLES PARAMETERS

REFERENCE APPLICATION SPECIFICATION

2 3 14	3-646513-0
2 6 13	1-646513-9
2 5 13	646513-9
2 4	646513-4
2 3	646513-1
FINISH	PART NUMBER

THIS DRAWING IS A CONTROLLED DOCUMENT.



DIMENSIONS: mm	TOLERANCES UNLESS OTHERWISE SPECIFIED:	DIN S. WAITMAN 14JUL05	Tyco Electronics Corporation Harrisburg, Pa 17105-3608
0. PLC ± -	1. PLC ± 0.2	CHK G. SKIPPER 14JUL05	NAME MALE ASSEMBLY, Z-PACK 2mm HM, TYPE F
2. PLC ± 0.02	3. PLC ± 0.005	APVD G. SKIPPER 14JUL05	PRODUCT SPEC 108-19082
4. PLC ANGLES ± ± 0°30'			APPLICATION SPEC 114-19029
MATERIAL 1	FINISH SEE TABLE	WEIGHT -	SIZE CAGE CODE DRAWING NO. A1 00779 C=646513
		CUSTOMER DRAWING	RESTRICTED TO -

SCALE 4:1 SHEET 1 OF 2 REV D1

THIS DRAWING IS UNPUBLISHED. RELEASED FOR PUBLICATION  
 © COPYRIGHT BY TYCO ELECTRONICS CORPORATION. ALL RIGHTS RESERVED.

LOC		DIST		REVISIONS			
IF	LTR	DESCRIPTION	DATE	DWN	APPV		
-	-	SEE SHEET 1	-	-	-	-	-

- 1 MATERIAL:  
CONTACT: PHOSPHOR BRONZE.  
HOUSING: GLASS-FILLED POLYESTER.
- 2 GENERAL PLATING SPECIFICATION: UNDERPLATING  
(ENTIRE CONTACT): 1.27µm MIN NICKEL AND ACTION  
PIN: 0.5µm MIN TIN/LEAD.  
FOR PLATING OF MATING SURFACES SEE APPLICABLE  
SPECIFICATION REFERENCE FOR EACH DASH NUMBER.
- 3 CONFORMS TO ALL TESTING ACCORDING TO IEC 61076-4-101  
PERFORMANCE LEVEL 2.
- 4 CONFORMS TO ALL TESTING ACCORDING TO IEC 61076-4-101  
PERFORMANCE LEVEL 1.
- 5 CONNECTOR TESTED AND QUALIFIED AGAINST TELCORDIA GR-1217-CORE QUALITY LEVEL 3,  
CENTRAL OFFICE APPLICATIONS.
- 6 CONNECTOR TESTED AND QUALIFIED AGAINST TELCORDIA GR-1217-CORE QUALITY LEVEL 3,  
UNCONTROLLED ENVIROMENT APPLICATIONS.
- 7 CONNECTOR MARKED WITH PART NUMBER AND DATE CODE.  
ADDITIONAL CHARACTERS OR MARKINGS, AS WELL AS THE LOCATION OF THE MARKINGS,  
MAY BE ADDED FOR TRACEABILITY BASED UPON MANUFACTURERS DISCRETION.
- 8 PLATED-THROUGH HOLES AT 2x2mm SQUARE GRID  
PATTERN DEFINED BY CONTACT LAYOUT.
- 9 FOR ACTUAL PIN LOADING SEE "CONTACT LAYOUT".
- 10 FOR ACTUAL PIN DIMENSIONS SEE "CONTACT DIMENSIONS".
- 11 TO BE MEASURED AT BOTTOM OF SHROUD.
- 12 LOCATION PEG.
- 13 CONNECTOR LUBRICATED WITH BELCORE APPROVED LUBRICANT,  
TECHNICAL REFERENCE: TR-NWT-001217 ISSUE 1, SEP 1992.
- 14 0.76µm MIN GOLD PALTING MATING SURFACES.

THIS DRAWING IS A CONTROLLED DOCUMENT.		DWN S. WAITMAN CHK G. SKIPPER APPV G. SKIPPER	14 JUL 05	 Tyco Electronics Corporation Harrisburg, Pa 17105-3608	
DIMENSIONS: mm	TOLERANCES UNLESS OTHERWISE SPECIFIED:	PRODUCT SPEC	NAME	MALE ASSEMBLY, Z-PACK 2mm HM, TYPE F	
	0. PLC ± - 1. PLC ± 0.2 2. PLC ± 0.02 3. PLC ± 0.005 4. PLC ± - ANGLES ± 0°30'	108-19082	SIZE	A1	
MATERIAL SEE SHEET 1	FINISH SEE SHEET 1	APPLICATION SPEC	CAGE CODE	DRAWING NO	RESTRICTED TO
		114-19029	00779	646513	-
CUSTOMER DRAWING		SCALE	4:1	SHEET	2 OF 2
		REV	D1		