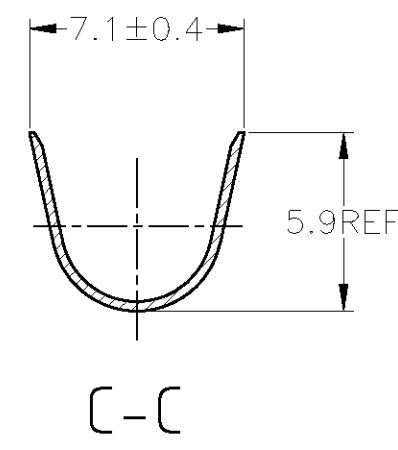
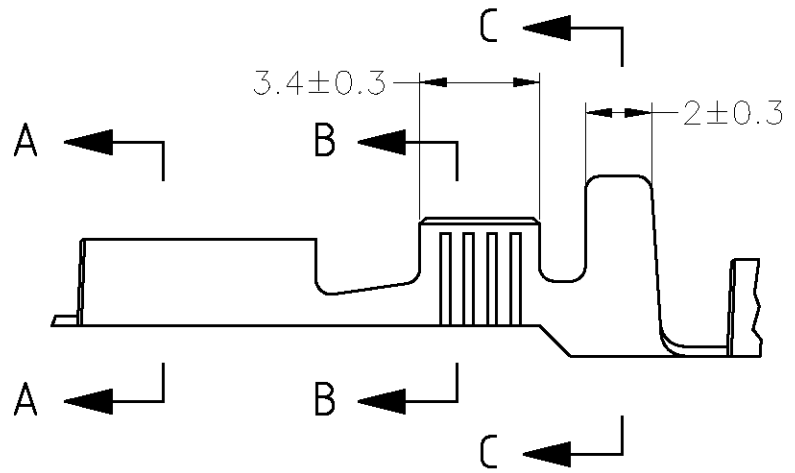
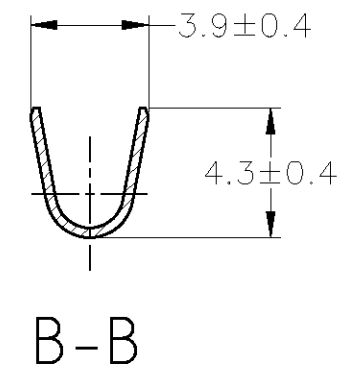
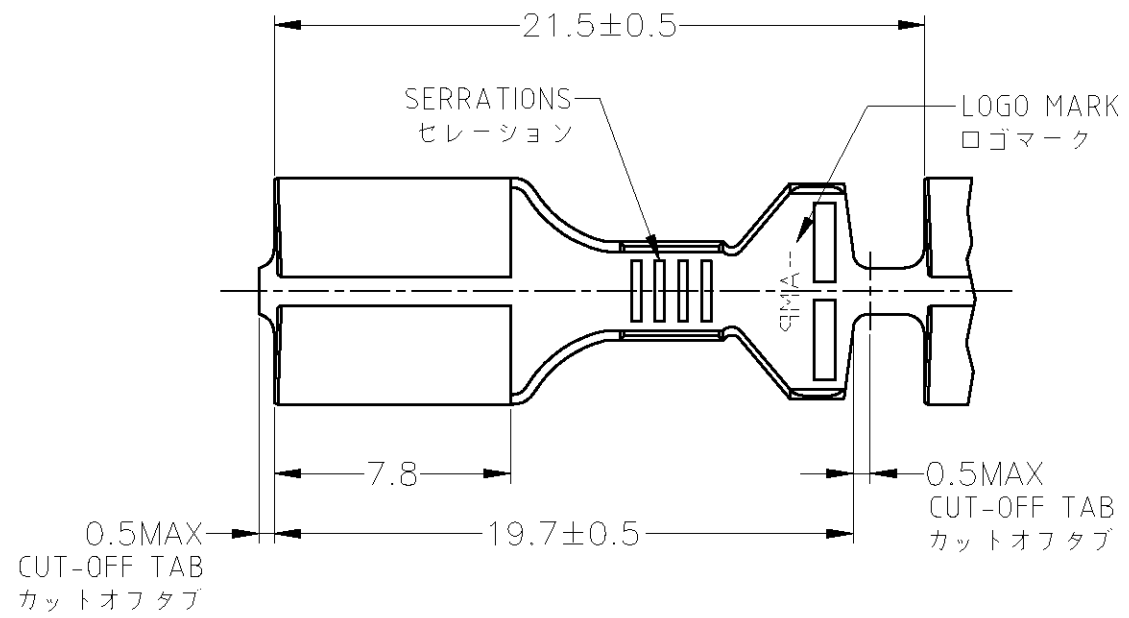


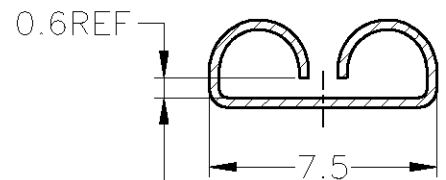
THIS DRAWING IS UNPUBLISHED. RELEASED FOR PUBLICATION
 © COPYRIGHT BY TYCO ELECTRONICS CORPORATION. ALL INTERNATIONAL RIGHTS RESERVED.

LOC	DIST	REVISIONS					
		P	LTR	DESCRIPTION	DATE	DWN	APVD
—	—	A1	REDRAWN W/CHANGE	ECR-10-014585	12JUL10	TS	KB



-1: AS SHOWN
 -1: 本図

1. MATING PART NUMBER : 171633
 2. STRESS RELIEVING
 FINISH IS SUBJECT TO CHANGE BY THE TYPE OF STRESS RELIEVING PROCESS
 INERT GAS FURNACE---MATTE
 ATMOSPHERIC FURNACE FOLLOWED BY ACID PICKLE---BRIGHT
 1. 嵌合相手端子型番 : 171633
 2. ストレス除去処理
 処理方により外観が変わります。
 不活性ガス加熱方式---無光沢
 大気加熱方式---光沢



THIS DIMENSION IS CONTROLLED WITH MATING FORCE
 この寸法は嵌合力によって規定する。

A-A

GENERAL TOLERANCE	
0<* < 10	±0.2
10<* < 30	±0.25
30<* < 100	±0.3
ANGLES	±0.3°

THIS DRAWING IS A CONTROLLED DOCUMENT.	
DIMENSIONS: mm	TOLERANCES UNLESS OTHERWISE SPECIFIED:
	0 PLC ±-
	1 PLC ±-
	2 PLC ±-
	3 PLC ±-
	4 PLC ±-
	ANGLES ±-
MATERIAL BRASS 黄銅 0.32t	FINISH -

DWN T.SHINOHARA 12JUL10	Tyco Electronics Corporation Kawasaki, Japan
CHK K.BETSUI 12JUL10	
APVD K.BETSUI 12JUL10	
PRODUCT SPEC -	
APPLICATION SPEC 114-5082	NAME 250 SERIES RECEPTACLE CONTACT FOR SEALED CONNECTOR
WEIGHT -	SIZE A3
CUSTOMER DRAWING	

WIRE RANGE 1.25~3mm ² (AWG #16~#12)		INSULATION DIA 2.5~4.1mm	
CAGE CODE 00779		DRAWING NO C-171632	
SCALE 1:1		SHEET 1 OF 1	
RESTRICTED TO -		REV A1	