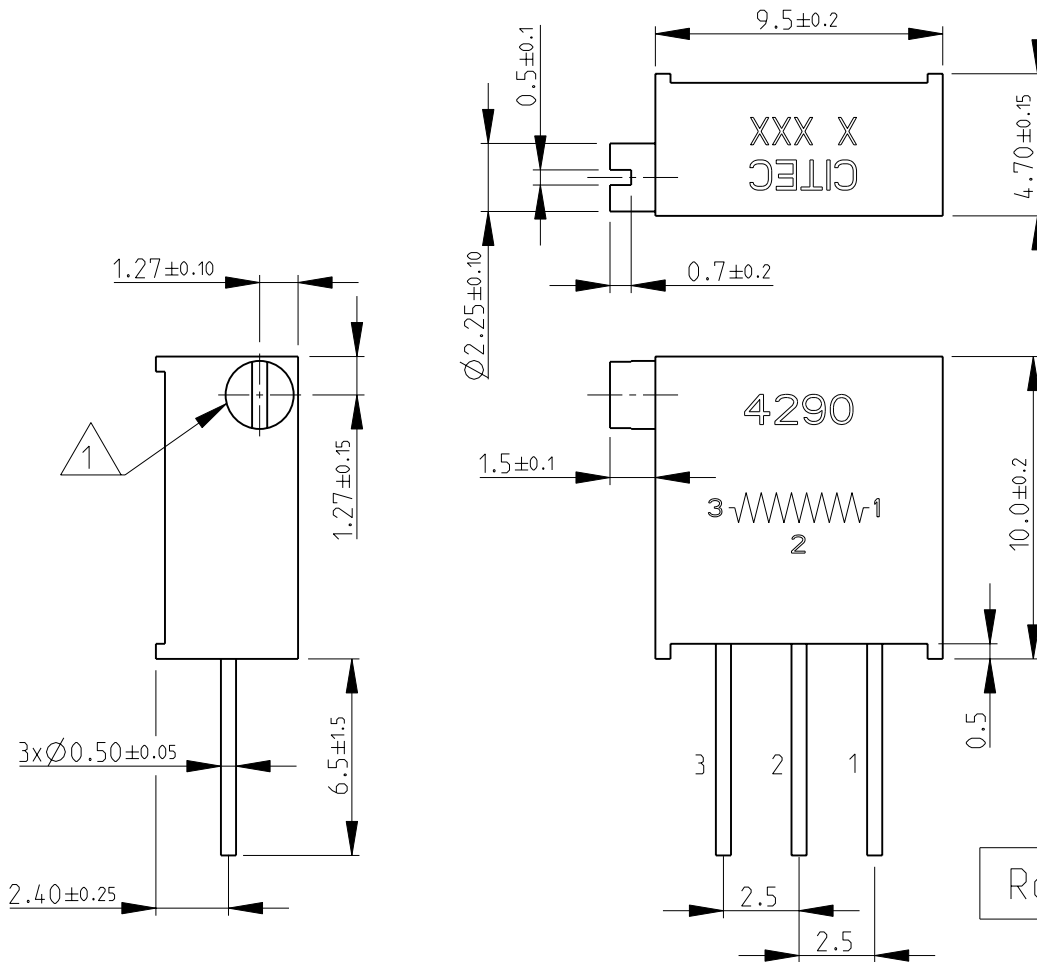


LOC	DIST	REVISIONS					
E	B	P	LTR	DESCRIPTION	DATE	DWN	APVD
			BA	NEW RELEASE	09-Sep-08	SM	St.P

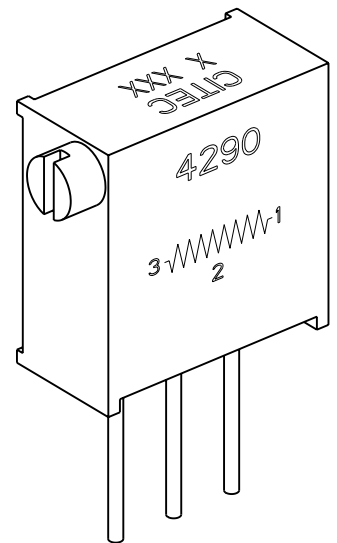
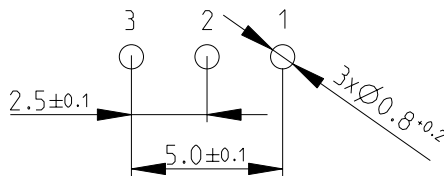


RoHS Compliant

1 SIDE ADJUSTMENT SCREW

2 FOR FURTHER INFORMATION SEE DATA SHEET FOR 4290 SERIES-PROFESSIONAL TRIMMERS

PCB PIERCING PLAN



2008

RELEASED FOR PUBLICATION

BY TYCO ELECTRONICS CORPORATION. ALL RIGHTS RESERVED.

© COPYRIGHT 2008

THIS DRAWING IS UNPUBLISHED.

DIMENSIONS: mm	DWN	09-Sep-08	MATERIAL	-	FINISH	-
	SUBHASH.M					
TOLERANCES UNLESS OTHERWISE SPECIFIED:	CHK	09-Sep-08	Tyco Electronics Corporation Dorcan, Swindon, SN3 5HH			
	PRAKASH.S					
0 PLC ±0.5 1 PLC ±0.2 2 PLC ±0.1 3 PLC ±- 4 PLC ±- ANGLES ±5°	APVD	09-Sep-08	NAME PROFESSIONAL TRIMMERS SERIES 4290X			
	STEPHEN.P					
	PRODUCT SPEC	-	SIZE	A 4	CAGE CODE	00779
	APPLICATION SPEC	-	DRAWING NO	C-1623850		RESTRICTED TO
	WEIGHT	-	CUSTOMER DRAWING		SCALE	4:1
			SHEET		1 OF 1	REV
						BA