

THIS DRAWING IS UNPUBLISHED.

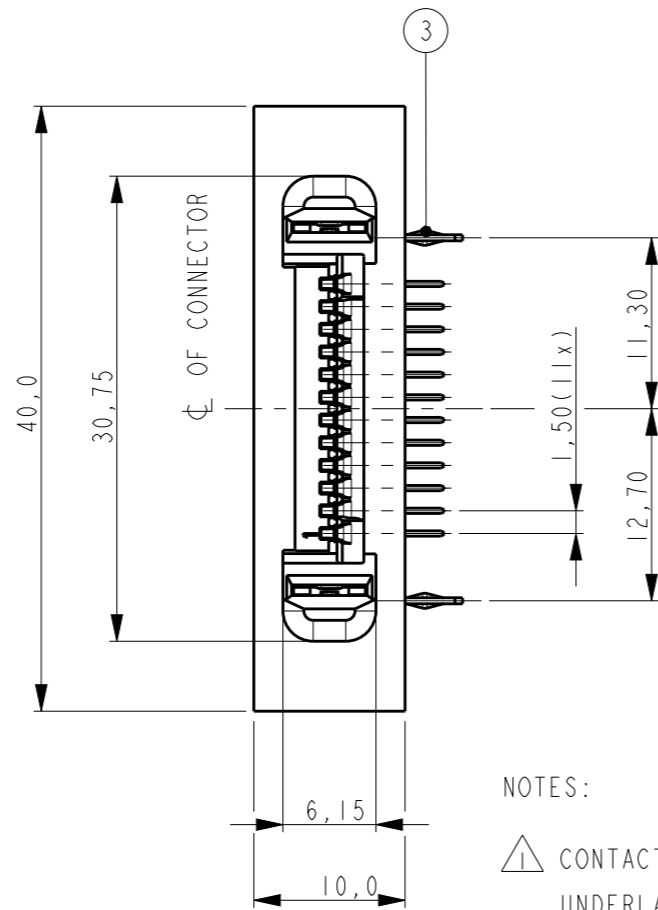
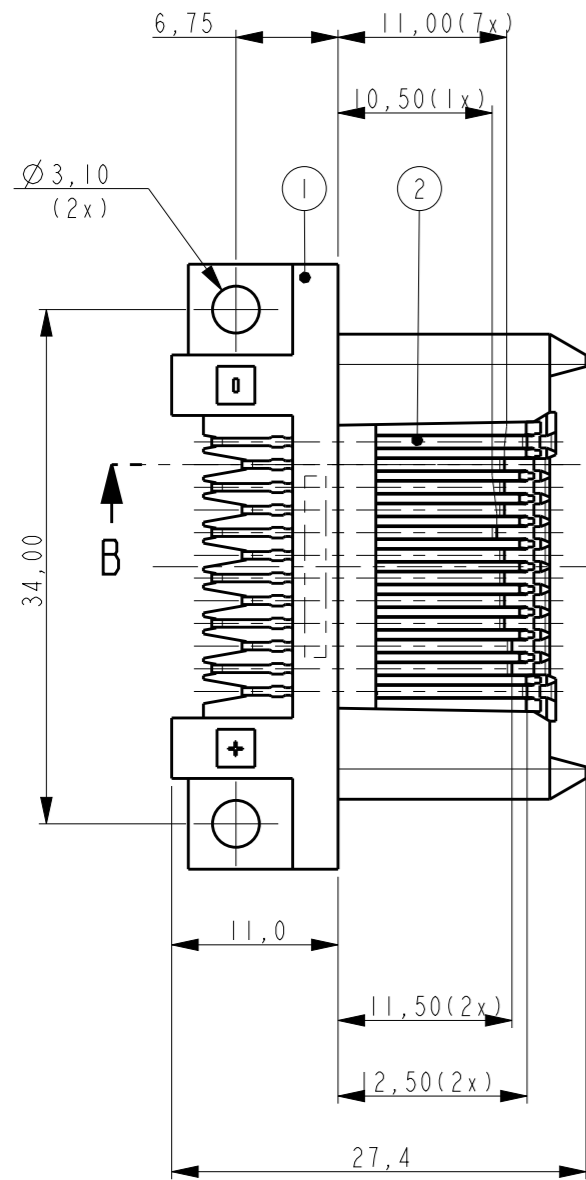
RELEASED FOR PUBLICATION

20

© COPYRIGHT 20

ALL RIGHTS RESERVED.

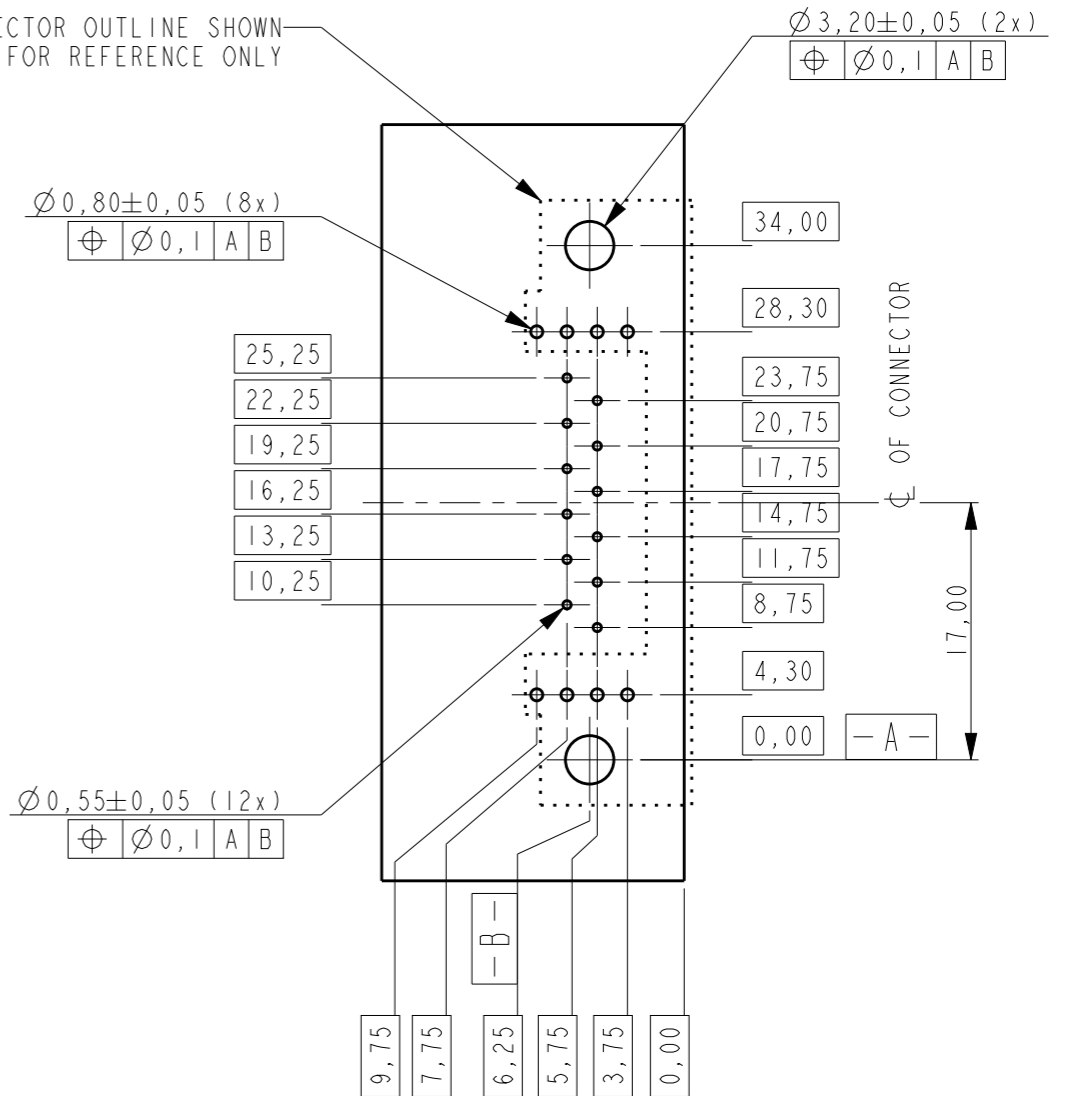
LOC	DIST	REVISIONS				
P	LTR	DESCRIPTION	DATE	DWN	APVD	
H	-	1	FIRST ISSUE	08OCT2007	JV	RD
		2	ADD DATE-CODE	23JUL2009	RD	TdB
		3	SUPERSEDED	04DEC2009	JvdH	TdB
		A2	ECR-14-016324	16APR2015	T.Q	W.H



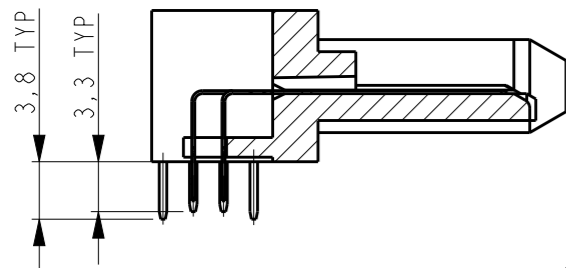
NOTES:

- ① CONTACT FINISH:  
UNDERLAYER: NICKEL  
SOLDERTAILS: TIN  
CONTACT AREA: GOLD
- ② PARTNUMBER AND DATE-CODE  
IN THIS AREA.

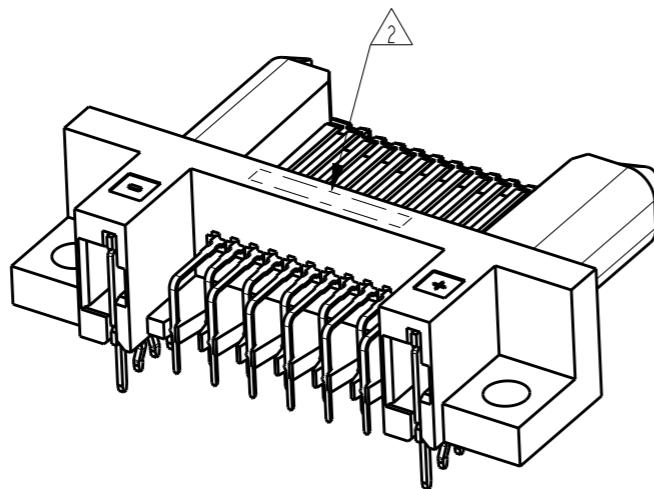
CONNECTOR OUTLINE SHOWN FOR REFERENCE ONLY



RECOMMENDED PCB HOLE PATTERN COMPONENT SIDE SHOWN



SECTION B-B



ORDERNUMBER: 1982676-1

ITEM NO.	DESCRIPTION	MATERIAL	FINISH
3	RECEPTACLE POWER CONTACT	COPPER ALLOY	SEE NOTE ①
2	SIGNAL CONTACT	COPPER ALLOY	SEE NOTE ①
1	RECEPTACLE HOUSING	LCP	BLACK

THIS DRAWING IS A CONTROLLED DOCUMENT.		DWN J.VOS 08-Oct-07	<b>TE Connectivity</b>	
		CHK R.DAAMEN 08-Oct-07		
DIMENSIONS: mm		APVD -	NAME RECEPTACLE ASSY	
TOLERANCES UNLESS OTHERWISE SPECIFIED:		PRODUCT SPEC 108-19361	RESTRICTED TO -	
0 PLC ±0,2		APPLICATION SPEC -	SIZE A3	CAGE CODE 00779
1 PLC ±0,1		WEIGHT -	DRAWING NO C=1982676	
2 PLC ±0,05		Customer Drawing	SCALE 2:1	SHEET 1 OF 1
3 PLC ±0,025				REV A2
4 PLC ±0,005				
ANGLES ±2°				
FINISH SEE TABLE				