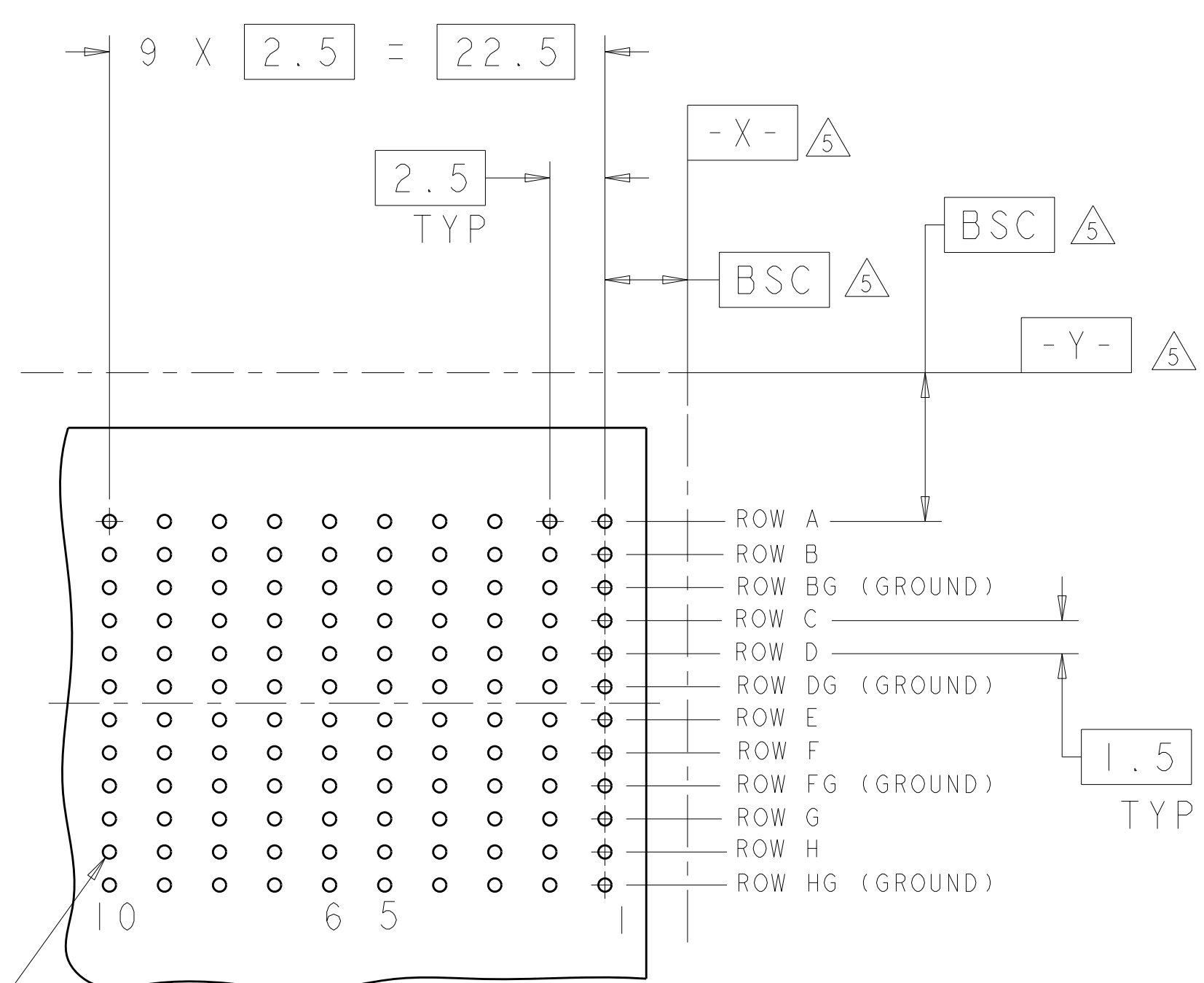
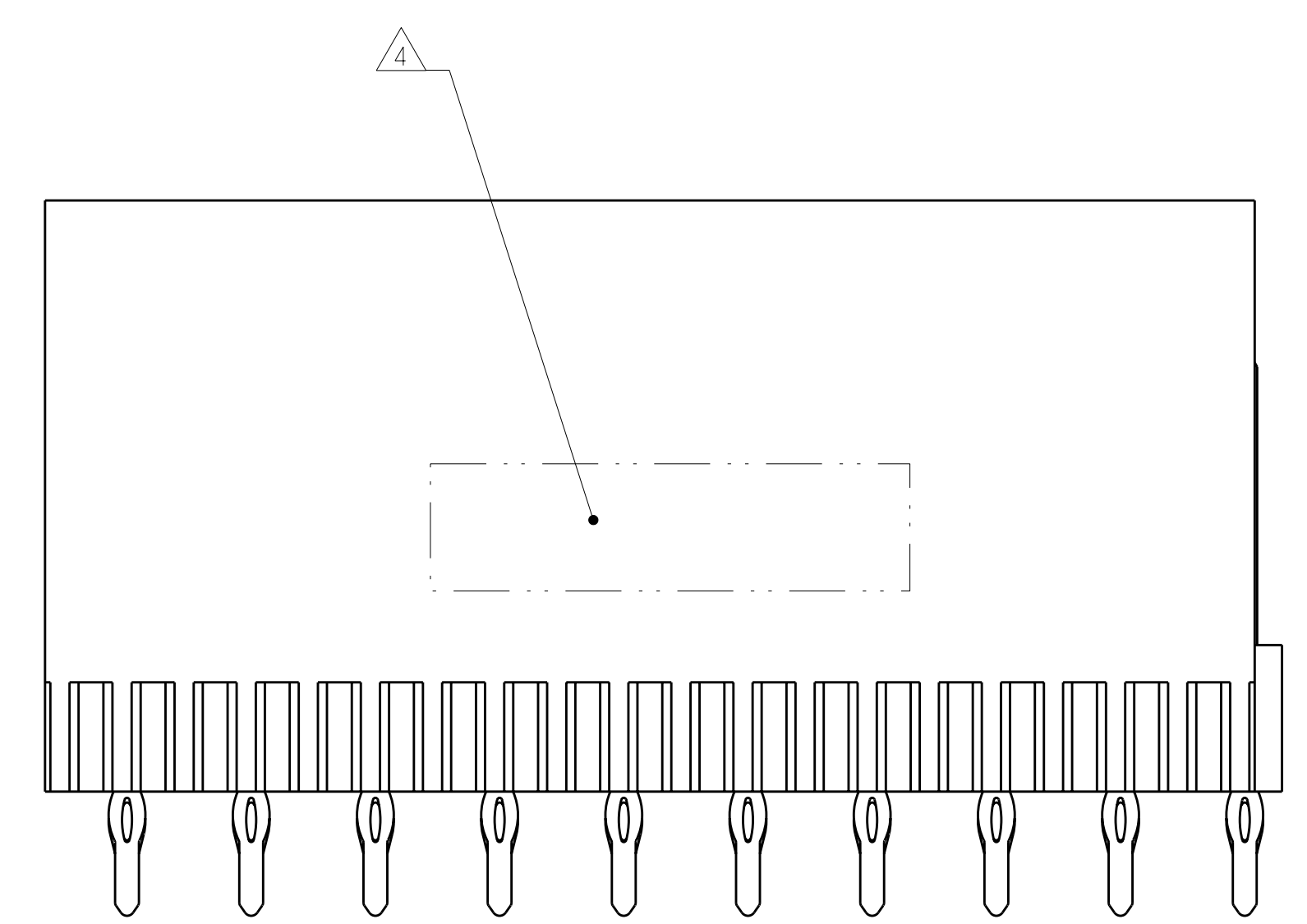
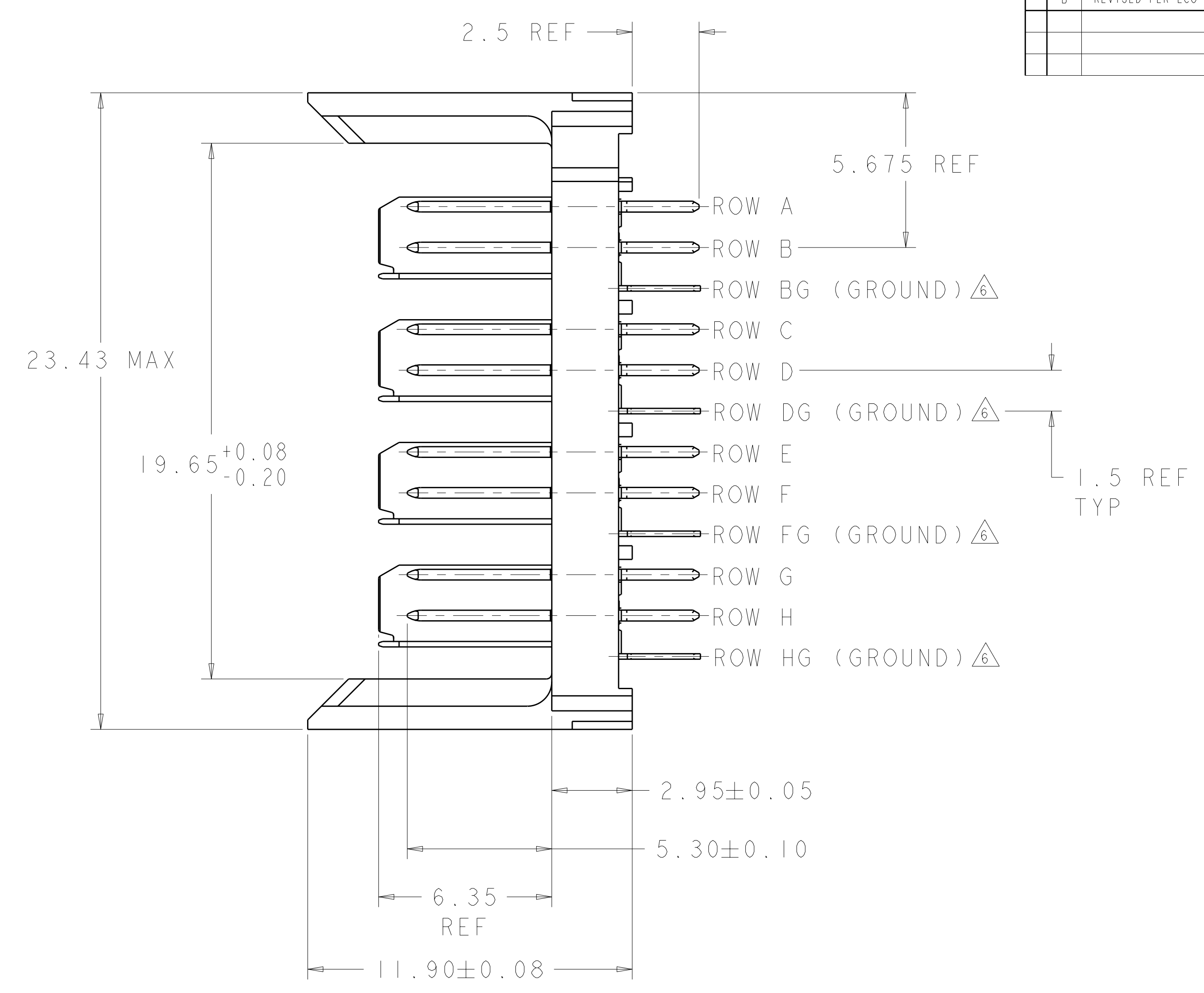
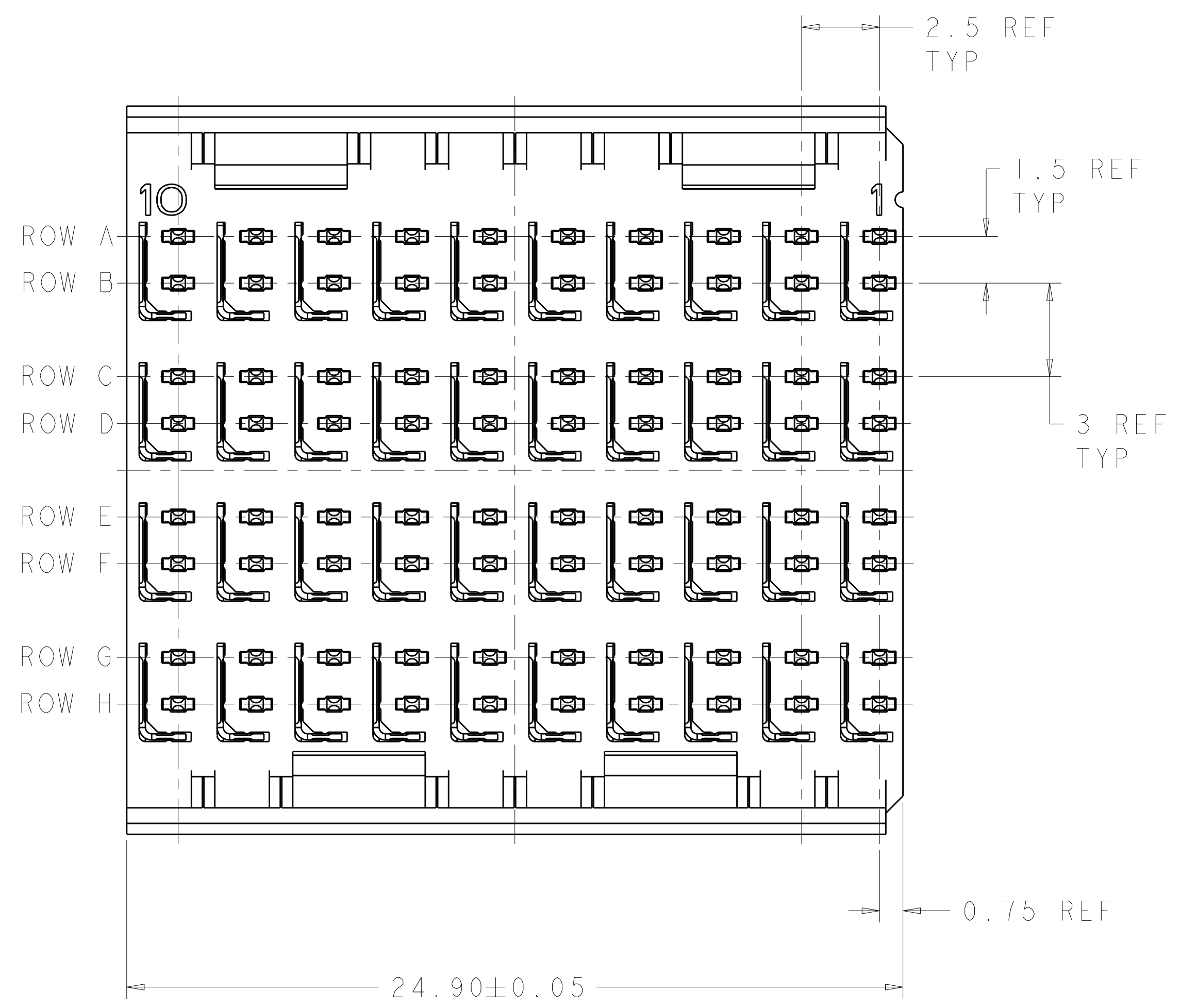


LOC		DIST		REVISIONS			
AD	00	P	LTR	DESCRIPTION	DATE	DWN	APVD
		B		REVISED PER ECO-12-000118	17JAN12	KH	DY



- ① REFERENCE APPLICATION SPEC 114-13059 FOR RECOMMENDED PLATED THRU HOLE DIAMETER AND PLATING THICKNESSES.
- ② MATERIAL:  
CONTACT AND SHIELD - PHOSPHOR BRONZE  
HOUSING - GLASS FILLED POLYESTER
- ③ FINISH: SIGNAL AND GROUND CONTACTS:  
MATING AREA: MEETS THE PERFORMANCE REQUIREMENTS OF PRODUCT SPECIFICATION 108-2055; BASED ON TELCORDIA GR-1217-CORE, APPLICATIONS IN UNCONTROLLED ENVIRONMENTS  
COMPLIANT PIN AREA: 0.5 μm MIN MATTE TIN OVER BASE PLATING
- ④ CONNECTOR MARKED WITH PART NUMBER AND DATE CODE.
- ⑤ DATUMS AND BASIC DIMENSIONS ESTABLISHED BY CUSTOMER.
- ⑥ THE FOUR GROUNDS IN EACH COLUMN ARE COMMONED.
- 7. CONTACT AREA LUBRICATED WITH BELLCORE APPROVED LUBRICANT. TECHNICAL REFERENCE: GR-1217-CORE, ISSUE 1, NOVEMBER 1995.

⊕ Ø0.05Ⓢ X Y  
 ALL PLATED THRU HOLES

RECOMMENDED PC BOARD LAYOUT, BACKPLANE, COMPONENT SIDE SHOWN  
 SCALE 4:1

6469046-1  
 PART NUMBER

THIS DRAWING IS A CONTROLLED DOCUMENT.		DWN S. J. MAGARO 25JUN2004	TE Connectivity
DIMENSIONS: mm		CHK R. A. PATTERSON 25JUN2004	
TOLERANCES UNLESS OTHERWISE SPECIFIED:		APVD 19APR2011	NAME
9 PLC ±			PRODUCT SPEC
3 PLC ±			APPLICATION SPEC
5 PLC ±			SIZE CAGE CODE DRAWING NO
4 PLC ±			RESTRICTED TO
ANGLES ±			WEIGHT
MATERIAL	FINISH		A100779C=6469046
CUSTOMER DRAWING		SCALE 8:1	SHEET 1 OF 1 REV B