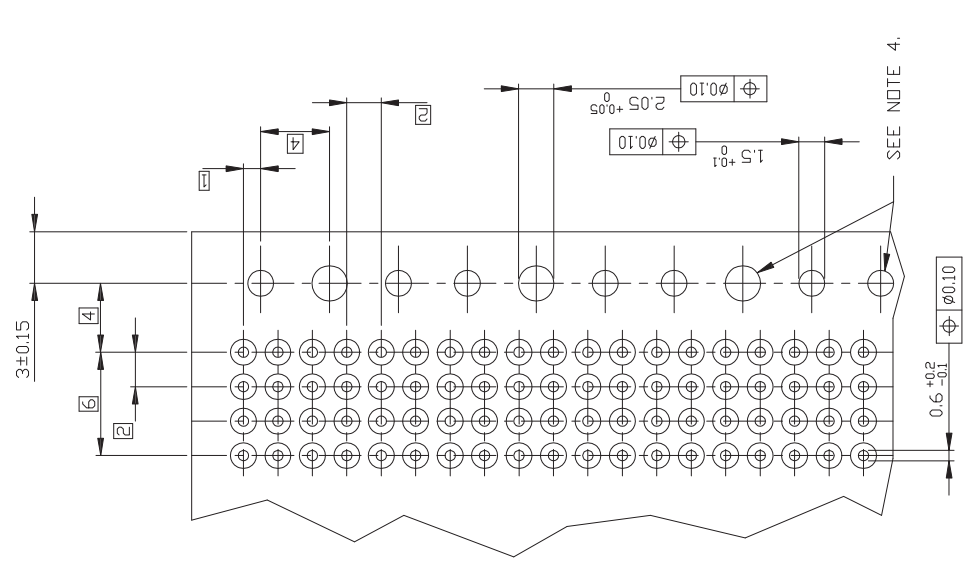
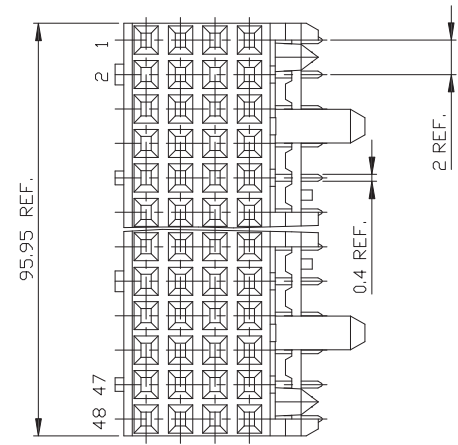


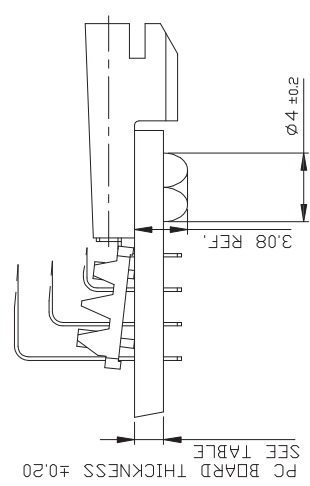
PC BOARD VERSIONS	
PRODUCT NR.	PCB THICKNESS DIM'A*
70230-X01/X01LF	1.6
70230-X11/X11LF	2.4
	3.53



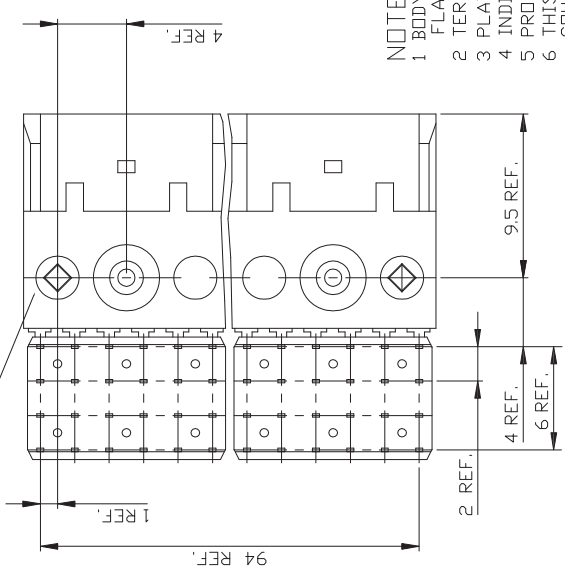
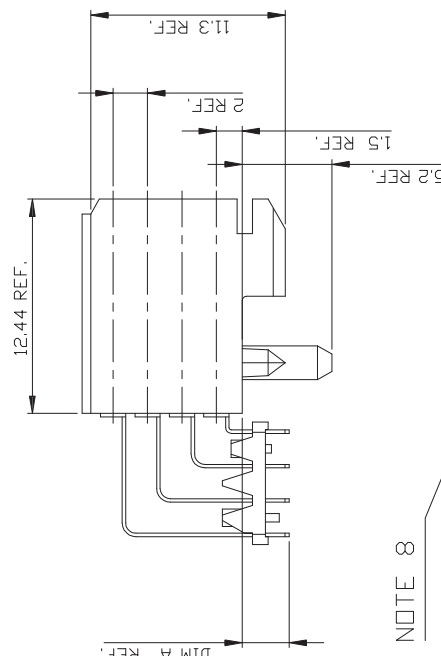
SEE NOTE 4.  
RECOMMENDED HOLE PATTERN, COMPONENT SIDE.



PRODUCT AFTER HOT RIVETTING.



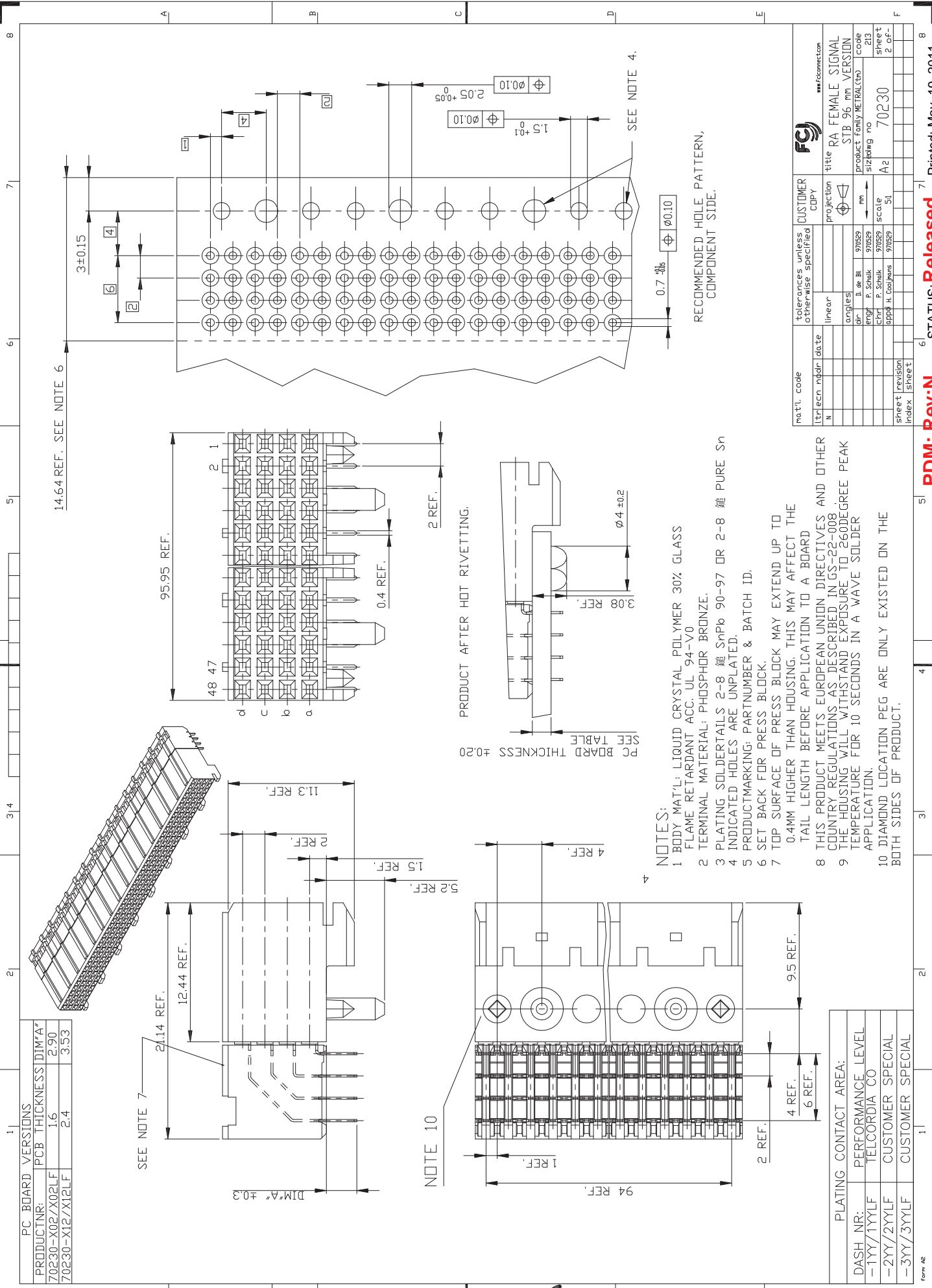
- NOTES:
- 1 BODY MAT'L: LIQUID CRYSTAL POLYMER 30% GLASS FLAME RETARDANT ACC. UL 94-V0
  - 2 TERMINAL MATERIAL: PHOSPHOR BRONZE.
  - 3 PLATING SOLDER TAILS 2-8 um SnPb 90-97 OR 2-8 um PURE Sn
  - 4 INDICATED HOLES ARE UNPLATED.
  - 5 PRODUCT MARKING: PART NUMBER & BATCH ID.
  - 6 THIS PRODUCT MEETS EUROPEAN UNION DIRECTIVES AND OTHER COUNTRY REGULATIONS AS DESCRIBED IN GS-22-008
  - 7 THE HOUSING WILL WITHSTAND EXPOSURE TO 260 DEGREE PEAK TEMPERATURE FOR 10 SECONDS IN A WAVE SOLDER APPLICATION.
  - 8 DIAMOND LOCATION PEG ARE ONLY EXISTED ON THE BOTH SIDES OF PRODUCT.



PLATING CONTACT AREA:	
DASH NR:	PERFORMANCE LEVEL
-1YY/1YYLF	TELCORDIA CO
-2YY/2YYLF	CUSTOMER SPECIAL
-3YY/3YYLF	CUSTOMER SPECIAL

mat'l. code	tolerance unless otherwise specified	CUSTOMER COPY
K 804-494	lineer	projection
L 806-497	lineer	mm
M 807-468	lineer	mm
N 809-068	lineer	mm
H V0878	lineer	mm
J V0847	lineer	mm
index	lineer	mm

mat'l. code	tolerance unless otherwise specified	CUSTOMER COPY
K 804-494	lineer	projection
L 806-497	lineer	mm
M 807-468	lineer	mm
N 809-068	lineer	mm
H V0878	lineer	mm
J V0847	lineer	mm
index	lineer	mm



PC BOARD VERSIONS	
PRODUCT NR.	PCB THICKNESS DIM "A"
70230-X02/X02LF	2.90
70230-X12/X12LF	3.53

PLATING CONTACT AREA:	
DASH NR.	PERFORMANCE LEVEL
-1YY/1YYLF	TELCORDIA CO
-2YY/2YYLF	CUSTOMER SPECIAL
-3YY/3YYLF	CUSTOMER SPECIAL

NOTES:

- 1 BODY MAT'L: LIQUID CRYSTAL POLYMER 30% GLASS FLAME RETARDANT ACC. UL 94-V0
- 2 TERMINAL MATERIAL: PHOSPHOR BRONZE.
- 3 PLATING SOLDER TAILS 2-8 鍍 SnPb 90-97 OR 2-8 鍍 PURE Sn
- 4 INDICATED HOLES ARE UNPLATED.
- 5 PRODUCT MARKING: PART NUMBER & BATCH ID.
- 6 SET BACK FOR PRESS BLOCK.
- 7 TOP SURFACE OF PRESS BLOCK MAY EXTEND UP TO 0.4MM HIGHER THAN HOUSING. THIS MAY AFFECT THE TAIL LENGTH BEFORE APPLICATION TO A BOARD
- 8 THIS PRODUCT MEETS EUROPEAN UNION DIRECTIVES AND OTHER COUNTRY REGULATIONS AS DESCRIBED IN GS-22-008
- 9 THE HOUSING WILL WITHSTAND EXPOSURE TO 260DEGREE PEAK TEMPERATURE FOR 10 SECONDS IN A WAVE SOLDER APPLICATION
- 10 DIAMOND LOCATION PEG ARE ONLY EXISTED ON THE BOTH SIDES OF PRODUCT.

material code	tolerances unless otherwise specified	line art	date
N			

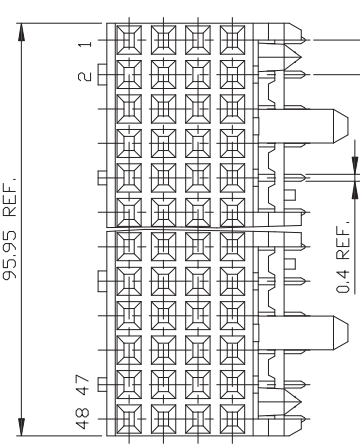
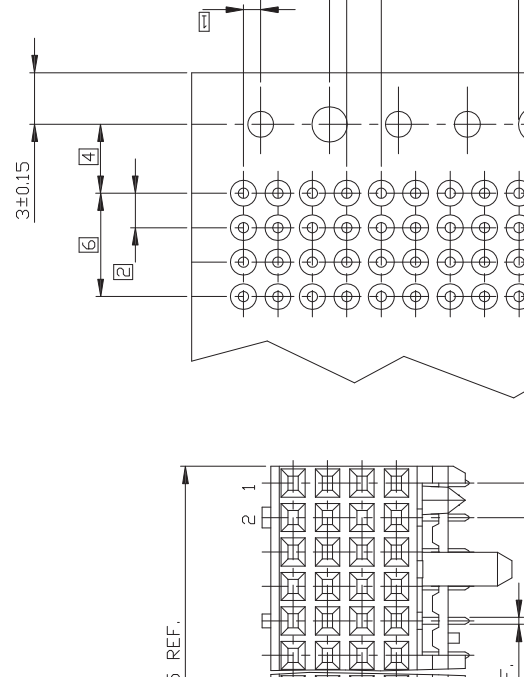
author	date	description
dr. P. Sivalu	970529	
engr. P. Sivalu	970529	
clerk H. Coolmans	970529	

sheet no.	total sheets
1	2

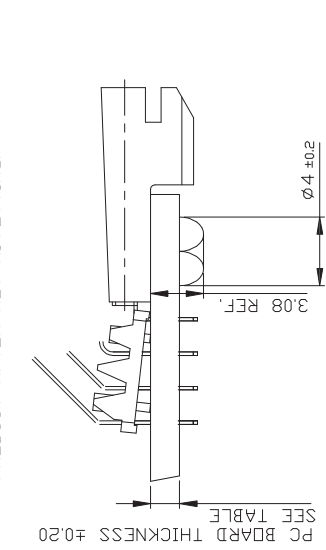
CUSTOMER COPY	
projection	title
mm	RA FEMALE SIGNAL
mm	STB 96 mm VERSION
mm	product family METALCRO
mm	code
mm	213
mm	sizing no
mm	70230
mm	scale
mm	A2
mm	51

sheet no.	total sheets
1	2

PC BOARD VERSIONS		
PRODUCT NR.	PCB THICKNESS	DIM "A"
70230-X03/X03LF	1.6	2.90
70230-X13/X13LF	2.4	3.53



NOTE 11



- NOTES:
- 1 BODY MAT'L: LIQUID CRYSTAL POLYMER 30% GLASS FLAME RETARDANT ACC. UL 94-V0
  - 2 TERMINAL MATERIAL: PHOSPHOR BRONZE.
  - 3 PLATING SOLDER TAILS 2-8 鍍 SnPb 90-97 OR 2-8 鍍 PURE Sn
  - 4 INDICATED HOLES ARE UNPLATED.
  - 5 PRODUCT MARKING: PART NUMBER & BATCH ID.
  - 6 THIS PRODUCT MEETS EUROPEAN UNION DIRECTIVES AND OTHER COUNTRY REGULATIONS AS DESCRIBED IN GS-22-008
  - 7 THE HOUSING WILL WITHSTAND EXPOSURE TO 260 DEGREE PEAK TEMPERATURE FOR 10 SECONDS IN A WAVE SOLDER APPLICATION.
  - 8 DIAMOND LOCATION PEG ARE ONLY EXISTED ON THE BOTH SIDES OF PRODUCT.

RECOMMENDED HOLE PATTERN, COMPONENT SIDE.

PLATING CONTACT AREA:	
DASH NR:	PERFORMANCE LEVEL
-1YY/1YYLF	TELCORDIA CO
-2YY/2YYLF	CUSTOMER SPECIAL
-3YY/3YYLF	CUSTOMER SPECIAL

mat'l. code	tolerance unless otherwise specified	projection	CUSTOMER COPY
lineer			
angle(s)			
dr Heaven Cen	11/20/06		
engr Collins Lu	11/20/06		
chrf Beer Fu	11/20/06		
appd Joseph Hsa	11/20/06		
sheet index	revision	scale	sheet
		5:1	3 of 3

FG	
title	RA FEMALE SIGNAL
product family	STB 96 mm VERSION
neutral no	
sizing no	70230
code	A2