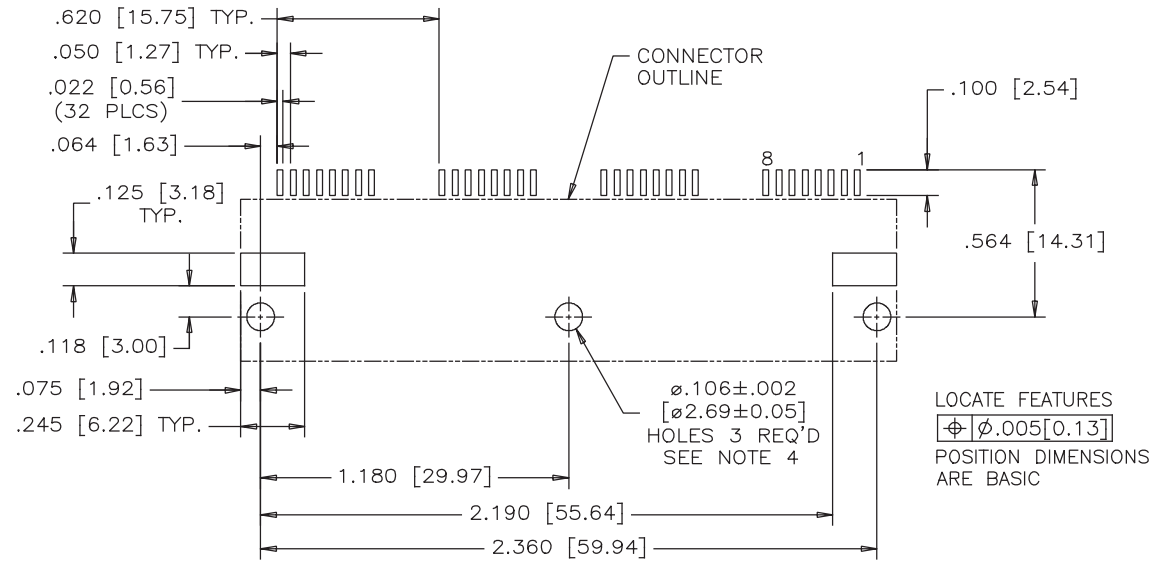
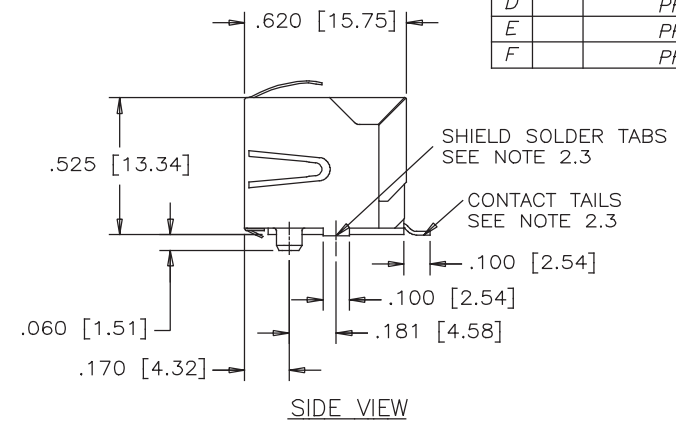
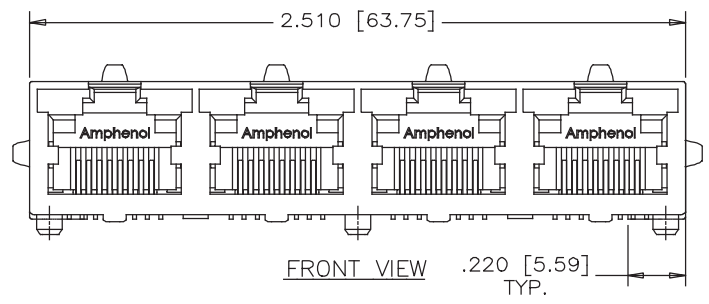
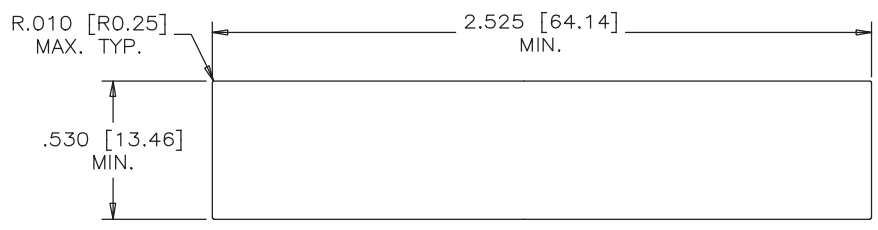


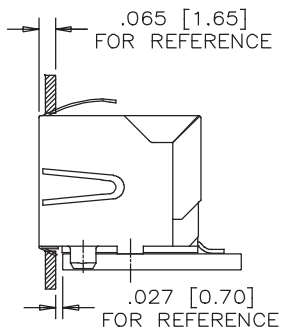
REVISIONS				
SYM	ZONE	ECN, ERN NO.	DATE	APPRD.
D		PROPOSAL	DEC25,06	L.C.
E		PROPOSAL	SEP04,13	L.C.
F		PROPOSAL	SEP05,13	L.C.



RECOMMENDED P.C.B. LAYOUT  
(COMPONENT SIDE OF BOARD)



RECOMMENDED PANEL CUTOUT



NOTES

- MATERIALS:**
  - PLASTIC HOUSING: HIGH ENGINEERING THERMOPLASTIC  
FLAMMABILITY RATING UL 94V-0
  - CONTACTS: PHOSPHOR BRONZE  
PLATING: 20 μ" [0.51 MICRONS]  
MIN. GOLD ON MATING SURFACES.  
50 μ" [1.27 MICRONS]  
MIN. NICKEL UNDERPLATE  
100 μ" [2.54 MICRONS]  
MIN. MATTE TIN ON CONTACT TAILS
  - SHIELD: COPPER ALLOY  
PLATING: NICKLE
- PHYSICAL CHARACTERISTICS**
  - MSL RATING: LEVEL 1
  - DURABILITY: 750 CYCLES
  - COPLANARITY SPECIFICATION:  
WITH THE MODULAR JACK SITTING ON A LEVEL SURFACE, THE  
MAXIMUM GAP BETWEEN THE LEVEL SURFACE AND ALL CONTACTS  
TAILS AND BOTH SHIELD TABS IS .004 [0.10] .
- ELECTRICAL**
  - HI-POT: CONTACT TO SHIELD 1500 VAC PEAK.  
CONTACT TO CONTACT 1000 VAC PEAK.
- RECOMMENDED SOLDERING TEMPERATURE:**  
REFLOW SOLDERING AT 260°C MAXIMUM FOR 10 SEC MAXIMUM.

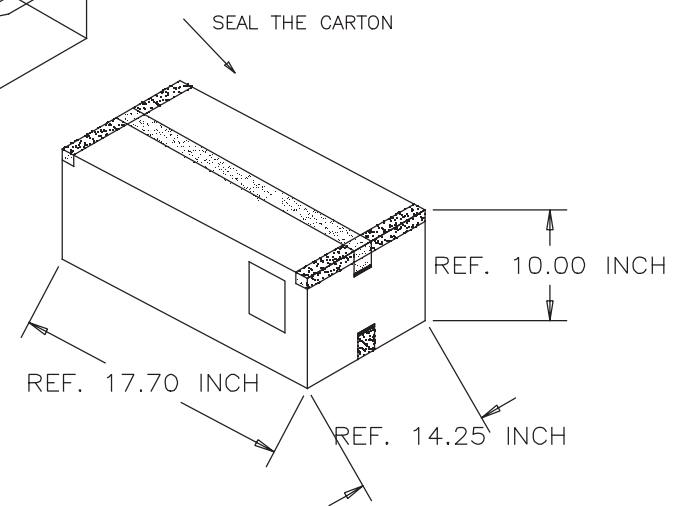
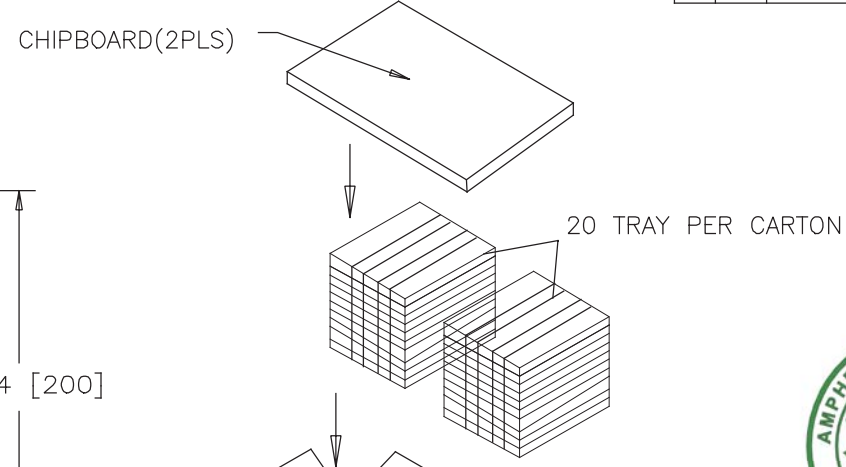
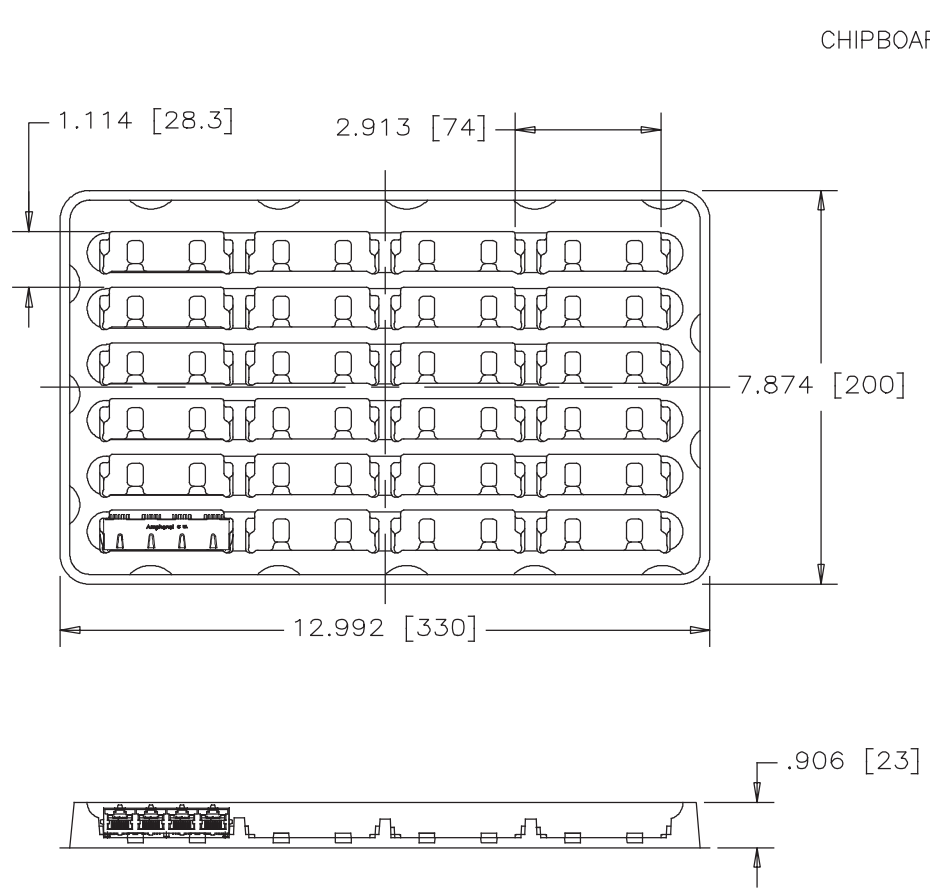
PART NUMBER: RJSSE-5380-04

DRAWN	Chigow	DATE	APR24,06
DESIGNED			
CHECKED	PWANG	DATE	APR24,06
I. E. APPRD.			
Q. A. APPRD.			
DWG. APPRD.			
ENG. REL. NO.			
REF.			
DIMENSIONS ARE IN	CODE ID. NO.		
INCHES [mm]	03554		

Amphenol Canada Corp.			
TITLE 4 PORT, SURFACE MOUNT, RJ45 MODULAR JACK, 8 POSITION, 8 CONTACTS, SHIELDED, WITHOUT LEDs --RoHS COMPLIANT			
DWG	DRAWING NO.	P-RJSSE-5380-04	REV. F
SCALE	WT.	SURF.	SHEET 7 OF 2

THIS DOCUMENT CONTAINS PROPRIETARY INFORMATION AND SUCH INFORMATION  
MAY NOT BE DISCLOSED TO OTHERS FOR ANY PURPOSE OR USED FOR MANUFACTURING  
PURPOSES WITHOUT WRITTEN PERMISSION FROM AMPHENOL CANADA CORP.

REVISIONS				
SYM	ZONE	ECN, ERN NO.	DATE	APPRD.
D		PROPOSAL	DEC25,06	L.C.
E		PROPOSAL	SEP04,13	L.C.
F		PROPOSAL	SEP05,13	L.C.



**PACKAGING NOTES:**

- 1. 24 PCS CONNECTORS PER TRAY
- 2. 20 TRAY PER CARTON (480 PCS CONNECTORS PER CARTON)

PART NUMBER: RJSSE-5380-04

DRAWN	Chigow	DATE	APR24,06	Amphenol Canada Corp.	
DESIGNED					
CHECKED	PWANG	DATE	APR24,06	TITLE 4 PORT, SURFACE MOUNT, RJ45 MODULAR JACK, 8 POSITION, 8 CONTACTS, SHIELDED, WITHOUT LEDS --RoHS COMPLIANT	
I. E. APPRD.					
Q. A. APPRD.					
DWG. APPRD.					
ENG. REL. NO.		DWG	DRAWING NO.	P-RJSSE-5380-04	REV.
REF.					F
DIMENSIONS ARE IN INCHES [mm]		CODE ID. NO.	03554	SCALE	WT. ----- SURF. ----- SHEET 2 OF 2

THIS DOCUMENT CONTAINS PROPRIETARY INFORMATION AND SUCH INFORMATION MAY NOT BE DISCLOSED TO OTHERS FOR ANY PURPOSE OR USED FOR MANUFACTURING PURPOSES WITHOUT WRITTEN PERMISSION FROM AMPHENOL CANADA CORP.