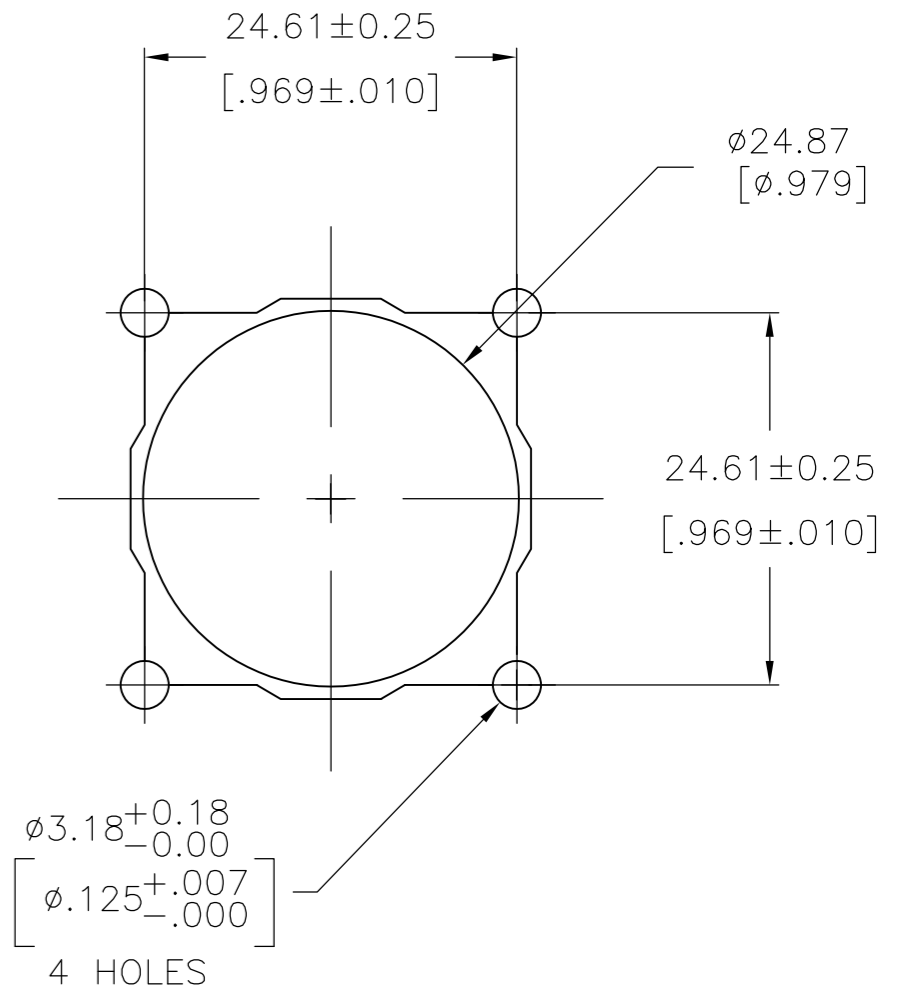
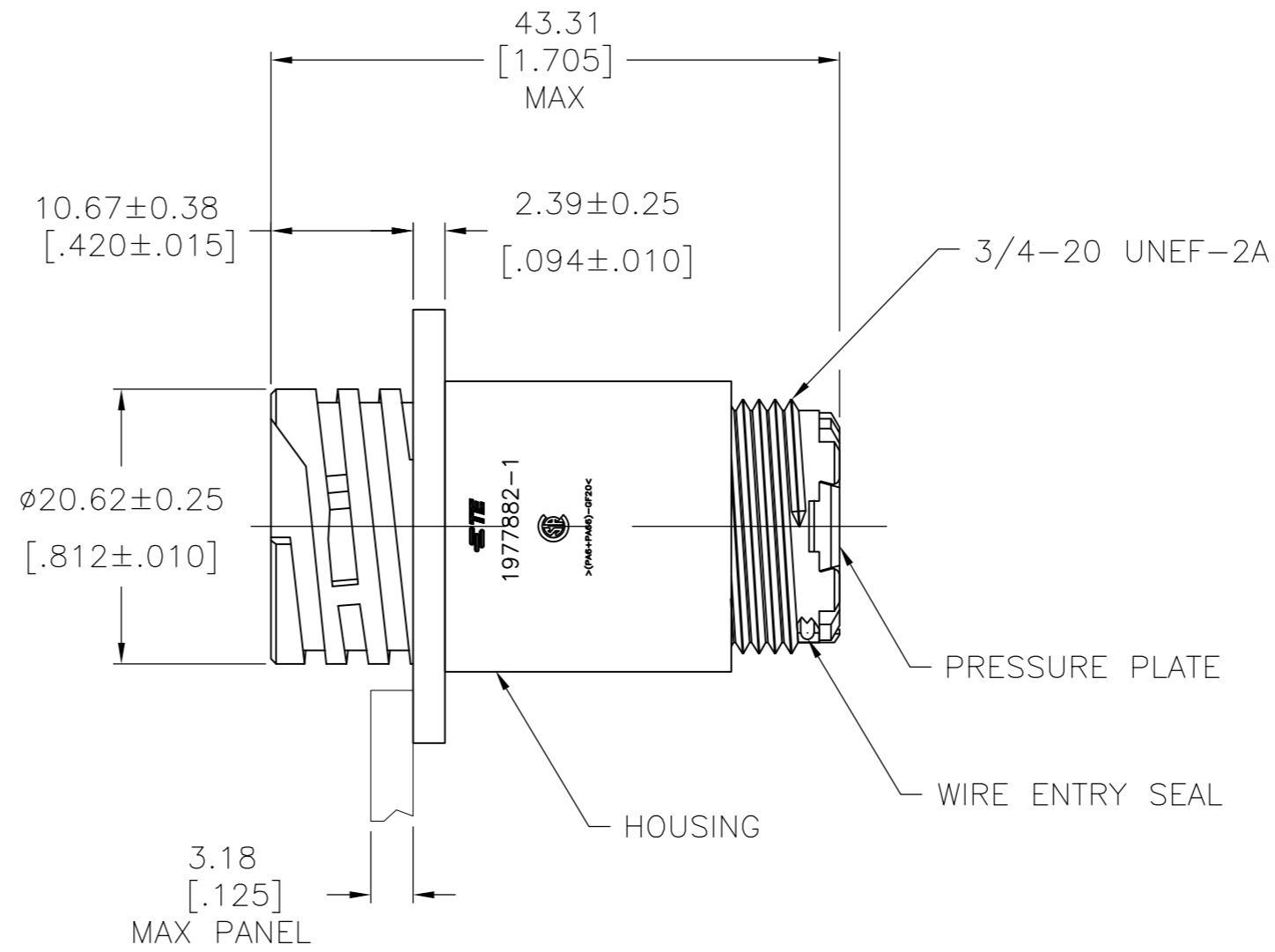
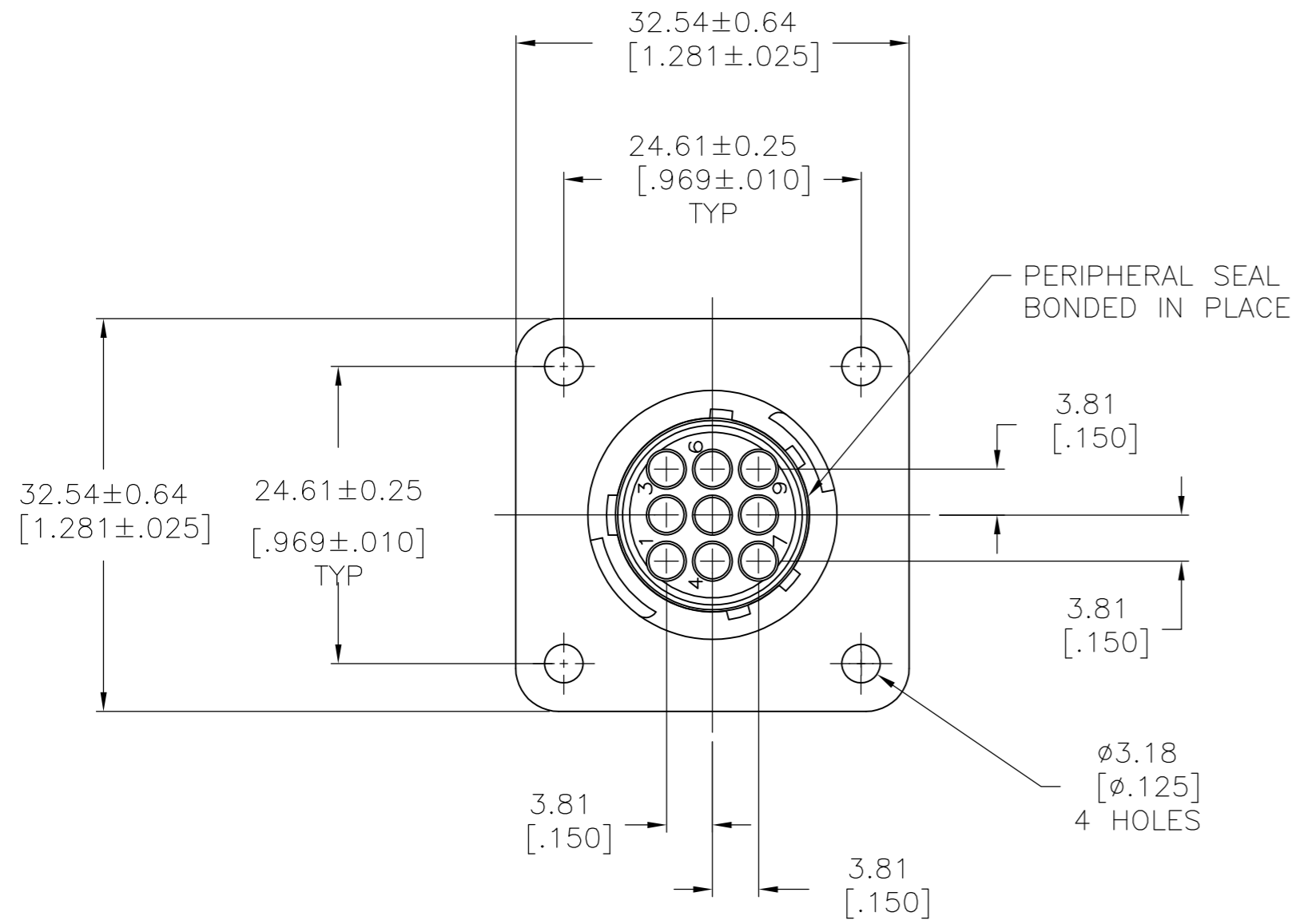


THIS DRAWING IS UNPUBLISHED. RELEASED FOR PUBLICATION
 © COPYRIGHT - By - ALL RIGHTS RESERVED.

REVISIONS					
P	LTR	DESCRIPTION	DATE	DWN	APVD
A		NEW DRAWING PER ECO-12-018480	08NOV12	KH	MZ
B		REVISED PER ECO-16-006378	03NOV2016	RS	MZ

- 1 THIS PART WILL ACCEPT NINE (9) MULTIMATE PIN CONTACTS.
- 2 HOUSING AND PRESSURE PLATE: NYLON, BLACK.
PERIPHERAL SEAL: ELASTOMER, GRAY.
WIRE ENTRY SEAL: ELASTOMER, RED-IRON OXIDE.



NO	.065-.100	STANDARD	1977882-1
THREADED INSERTS	WIRE INSULATION DIAMETER RANGE	INSULATION	PART NUMBER

THIS DRAWING IS A CONTROLLED DOCUMENT.		DWN KIRAN HOLAL 08NOV12	TE TE Connectivity		
DIMENSIONS: mm [INCHES]		CHK M ZITTO 08NOV12			
TOLERANCES UNLESS OTHERWISE SPECIFIED:		APVD M ZITTO 08NOV12	NAME CPC SQUARE FLANGE RECEPTACLE ASSEMBLY, SERIES 1, SEALED, 13-9, STANDARD SEX, UV RESISTANT		
0 PLC ± - 1 PLC ± - 2 PLC ± 0.13 [.005] 3 PLC ± - 4 PLC ± - ANGLES ± -		PRODUCT SPEC APPLICATION SPEC	SIZE A2	CAGE CODE 00779	DRAWING NO C=1977882
MATERIAL 2		FINISH -	WEIGHT	RESTRICTED TO -	SCALE 2:1
CUSTOMER DRAWING			SHEET 1 of 1	REV B	