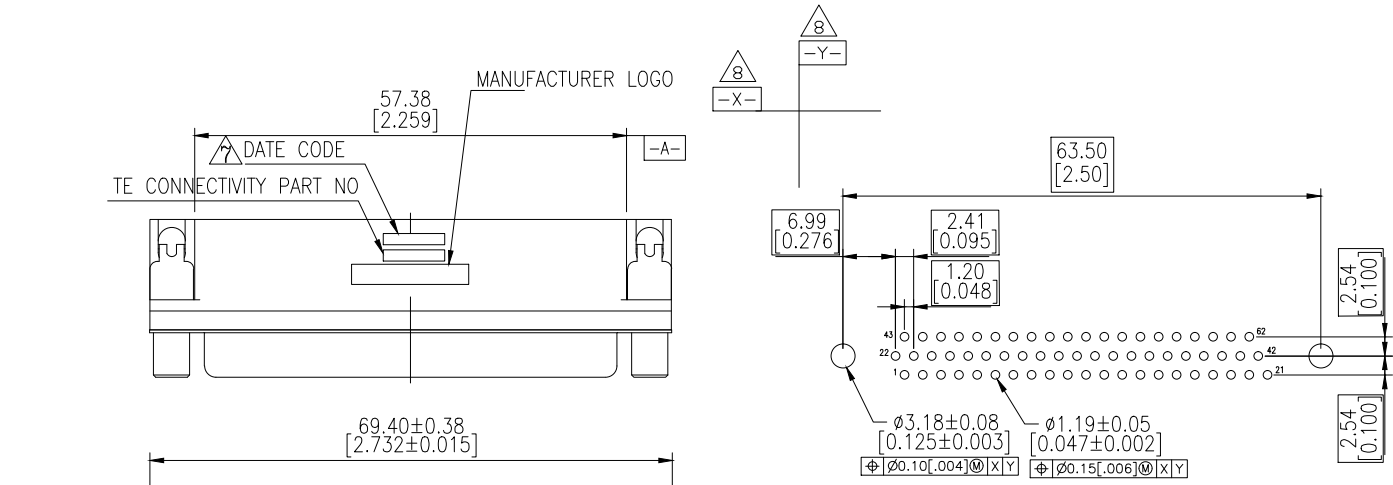


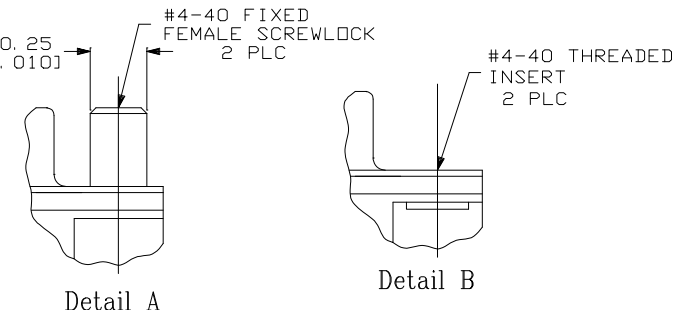
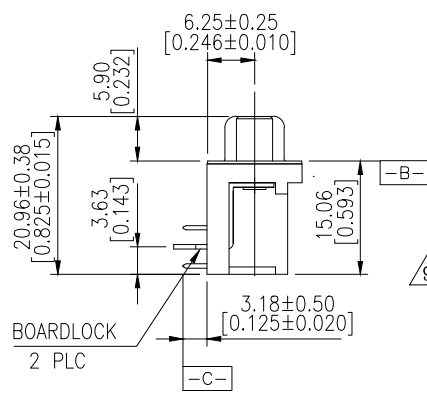
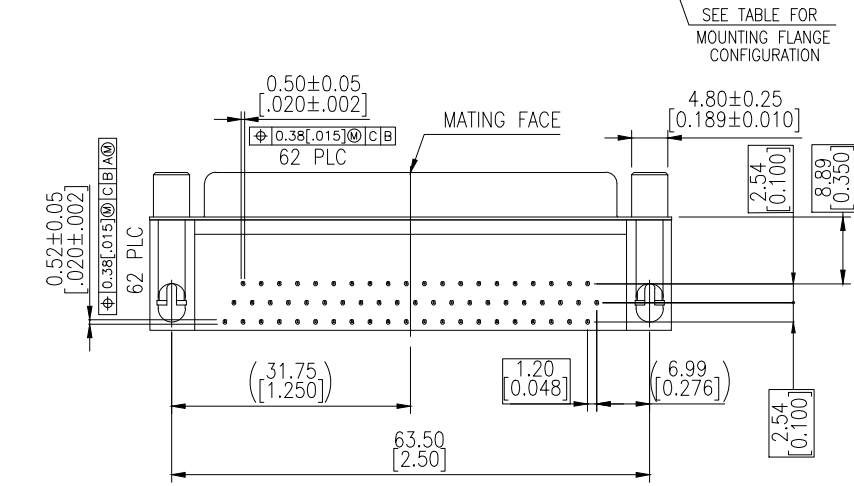
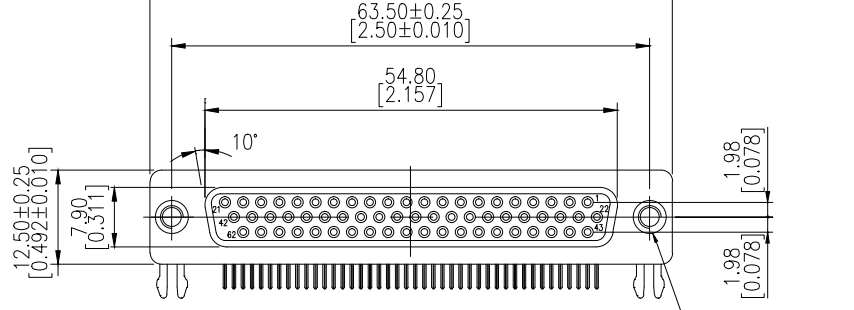
LOC	DIST	REVISIONS			
P	LTR	DESCRIPTION	DATE	DWN	APVD
	B3	REVISED PER ECR-14-000726	30APR2014	S.C	H.L



1. HOUSING MATERIAL: PBT, GLASS FILLED, BLACK, UL 94V-0 RATED.
2. CONTACT MATERIAL: PHOSPHOR BRONZE.
3. CONTACT FINISH: GOLD PLATE IN MATING AREA (SEE TABLE), 120µ" MIN TIN PLATE ON SOLDER TAIL, BOTH OVER 50µ" MIN NICKEL UNDERPLATE.
4. SHELL: STEEL, NICKEL PLATE.
5. BOARDLOCK: BRASS, 100µ" MIN TIN PLATE.
6. FEMALE SCREWLOCKS/ THREADED INSERTS: BRASS, NICKEL PLATE.

△ FOUR DIGIT DATE CODE IN THIS FORMAT.
 Year 01 45 Manufacturing Week

△ DATUMS -X- & -Y- TO BE ESTABLISHED BY CUSTOMER.
 △ OBSOLETE PARTS: OBSOLETE CIS STREAMLINING PER D.RENAUD/D.SINISI



Part NO.	Contact Mating Area Finish	Mounting Flange Configuration	Packaging
2-5748394-6	Gold flash	Detail A	Tray
2-5748394-5	15µ" MIN	Detail A	Tray
2-5748394-4	Gold flash	Detail B	Tray
2-5748394-3	15µ" MIN	Detail B	Tray
5748394-6	30µ" MIN	Detail A	Tray
5748394-5	30µ" MIN	Detail B	Tray

5748394-6, 2--5, & 2--6, SHOWN

THIS DRAWING IS A CONTROLLED DOCUMENT.		DWN B. MCMASTER 21SEP05	TE Connectivity AMPLIMITE HD-22 62 POS RECEPTACLE, RIGHT ANGLE	RESTRICTED TO	
DIMENSIONS: mm [INCHES]		CHK S. BOLASH 21SEP05		NAME	
TOLERANCES UNLESS OTHERWISE SPECIFIED: 0 PLC ± - 1 PLC ± 0.30 2 PLC ± 0.20 3 PLC ± 0.10 4 PLC ± - ± 2° ANGLES		APVD M. WALMSLEY 21SEP05		PRODUCT SPEC	
MATERIAL		FINISH	APPLICATION SPEC	SIZE A2	
			WEIGHT	CAGE CODE 00779	
				DRAWING NO C=5748394	
				REVISIONS	
				CUSTOMER DRAWING	
				SCALE 2:1	
				SHEET 1 of 1	
				REV B3	