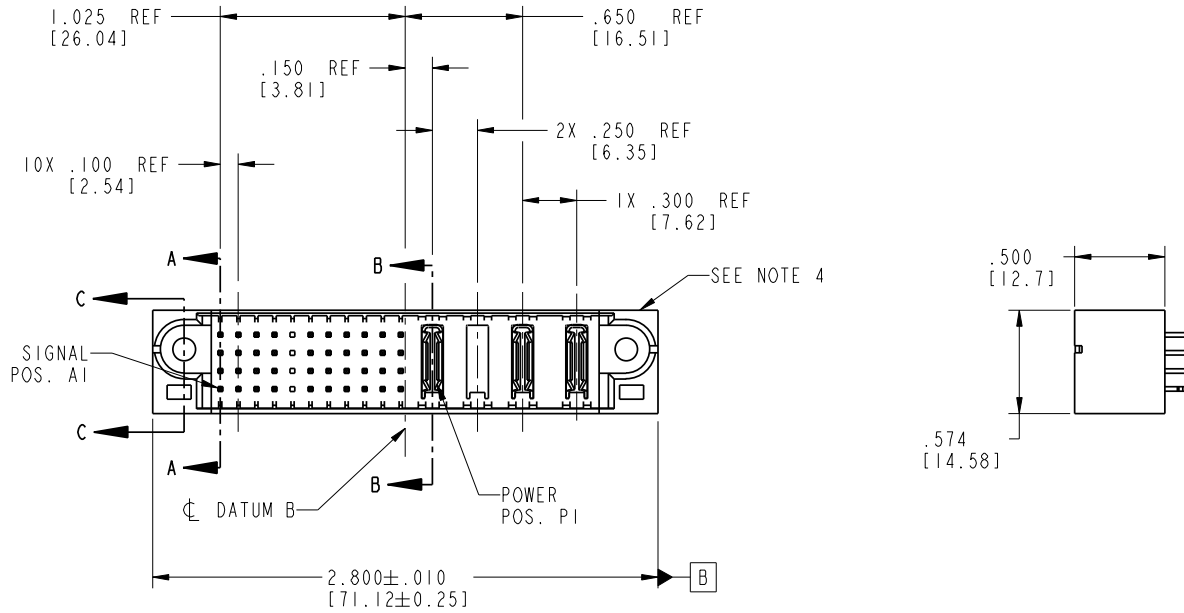


Tous droits strictement reserves. Reproduction ou communication a des tiers interdite sous quelque forme que ce soit sans autorisation écrite du propriétaire. Propriete de c FCI. Droits de reproduction FCI.



All rights strictly reserved. Reproduction or issue to third parties in any form whatever is not permitted without written authority from the proprietor. Property of FCI. Copyright FCI.

PRODUCT NO.	ROWS	SIGNAL											POWER				E2
		E1	1	2	3	4	5	6	7	8	9	10	11	P1	P2	P3	
51952-057-- NOTE 3	0 C U B A												PA	X	PA	PA	



CODE	DIM "M" MATING LENGTH	CONTACT TYPE
PA	N/A [N/A]	POWER
E	.270 [6.86]	SIGNAL
HA	N/A [N/A]	HOLD-DOWN
X	OMITTED	OMITTED

mat'l code				SEE NOTE 2		tolerances unless otherwise specified		CUSTOMER		 www.fciconnect.com	
lir	ecr no.	dr	date	linear	.XX±.01/0.X±0.3	COPY		projection		title	
A	DG05-0029	SLUO	02/22/05		.XXX±.005/0.XX±0.13	A				44S + 4P	
B	DG05-0515	RYAN	12/16/05	angles	.XXX±.002/0.XXX±0.051	INCH/MM				VERTICAL SOLDER HEADER	
				dr	0°±2°	A		product family		code	
				enrg	S1uo 02/22/05	1:1		PwrBlade		213	
				chr	S1uo 02/22/05	A		size		dwg no	
				appd	Victor Lin 02/22/05	A		51952-057		sheet	
					Joseph hsia 02/22/05	A		A		1 of 4	
sheet index	revision	B	B	B	B						
	sheet	1	2	3	4						

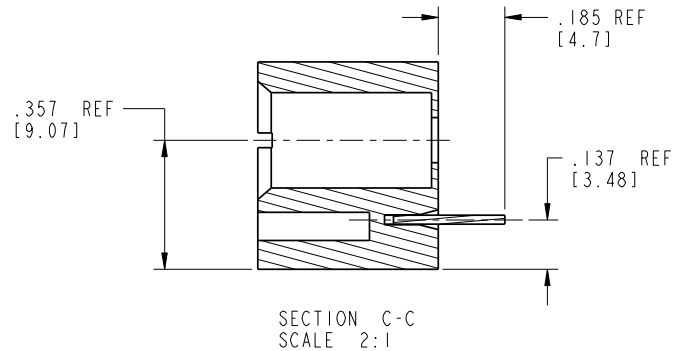
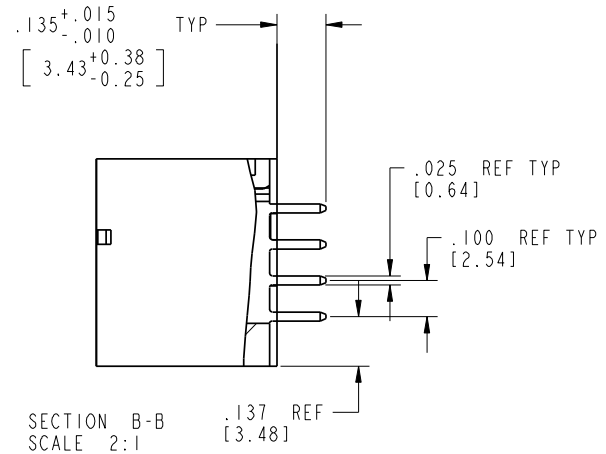
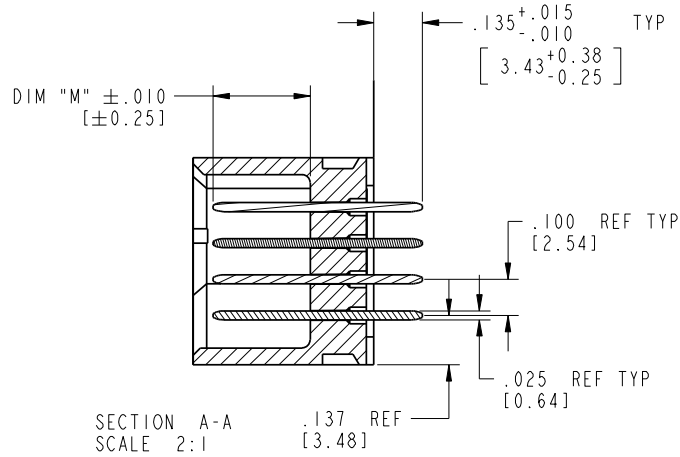
cage code 22526

Pro/E

Tous droits strictement reserves. Reproduction ou communication a des tiers interdite sous quelque forme que ce soit sans autorisation écrite du propriétaire. Propriete de c FCI. Droits de reproduction FCI.

All rights strictly reserved. Reproduction or issue to third parties in any form without is not permitted without written authority from the proprietor. Property of FCI. Copyright FCI.

PRODUCT NUMBER
51952-057__



mat'l code		SEE NOTE 2		tolerances unless otherwise specified		CUSTOMER		 www.fciconnect.com	
lfr	ecn no.	dr	date	linear	.XX±.01/0.X±0.3	COPY		projection	title
B					.XXX±.005/0.XX±0.13				44S + 4P
				angles	.XXX±.002/0.XXX±0.051				VERTICAL SOLDER HEADER
				dr	0°±2°			INCH/MM	product family
				enrg	S1uo 02/22/05	scale			PwrBlade
				chr	S1uo 02/22/05	1:1		size	code
				appd	Victor Lin 02/22/05			dwg no	213
					Joseph hsia 02/22/05			51952-057	sheet
sheet index	revision sheet								2 of 4

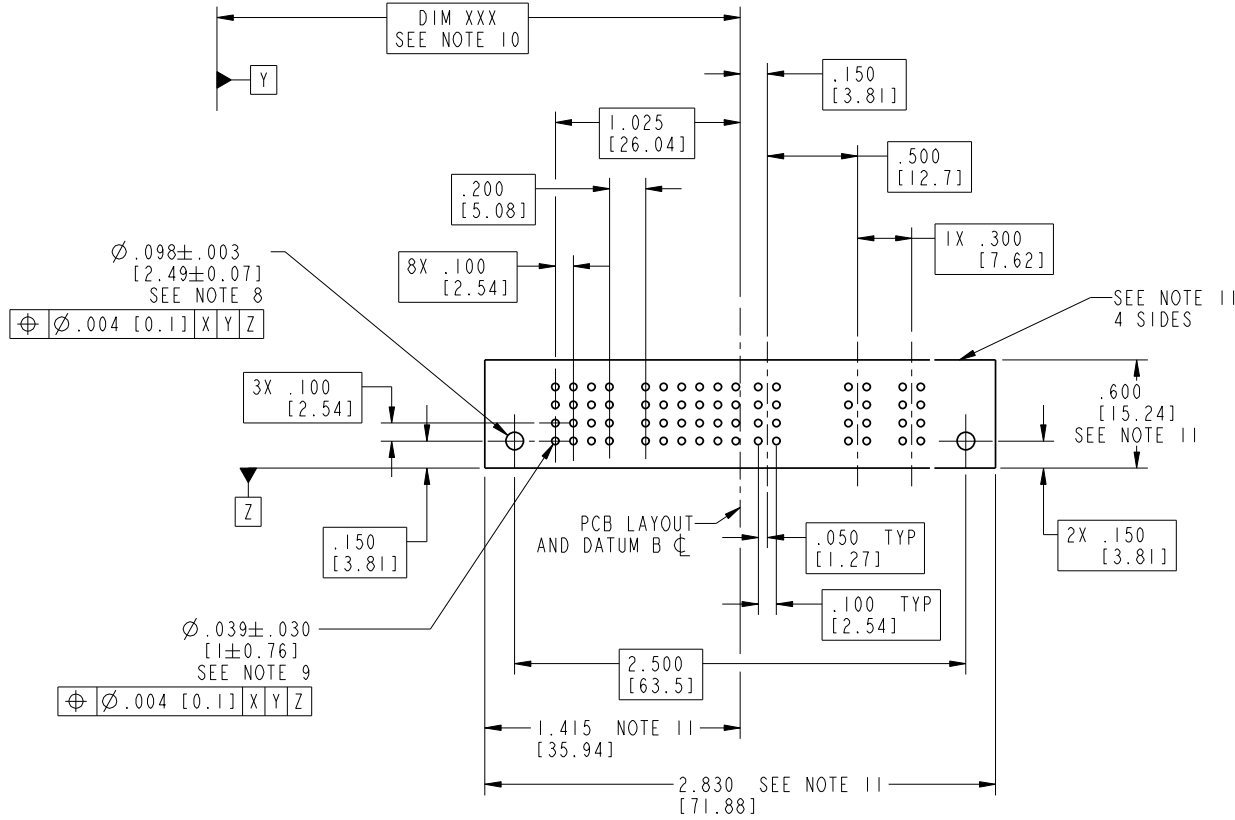
code code 22526

Pro/E

Tous droits strictement réservés. Reproduction ou communication à des tiers interdite sous quelque forme que ce soit sans autorisation écrite du propriétaire. Propriété de c FCI. Droits de reproduction FCI.

All rights strictly reserved. Reproduction or issue to third parties in any form whatsoever is not permitted without written authority from the proprietor. Property of FCI. Copyright FCI.

PRODUCT NUMBER
51952-057__



mat'l code		SEE NOTE 2		tolerances unless otherwise specified		CUSTOMER		FCI www.fciconnect.com		
lir	ecr no.	dr	date	linear	.XX±.01/0.X±0.3 .XXX±.005/0.XX±0.13 .XXX±.002/0.XXX±0.051	projection	title			
B				angles	0° ± 2°		44S + 4P VERTICAL SOLDER HEADER			
				dr	S1uo 02/22/05		INCH/MM	product family	PwrBlade	code
				enrg	S1uo 02/22/05			size	dwg no	213
				chr	Victor Lin 02/22/05	scale	A	51952-057	sheet	
				appd	Joseph hsia 02/22/05	1:1			3 of 4	
sheet index	revision sheet									

cage code 22526

Tous droits strictement reserves. Reproduction ou communication a des tiers interdite sous quelque forme que ce soit sans autorisation écrite du propriétaire. Propriete de c FCI. Droits de reproduction FCI.

A **FCI**

All rights strictly reserved. Reproduction or issue to third parties in any form without written authority from the proprietor. Property of FCI. Copyright FCI.

B

1 | 2

3 |

4

PRODUCT NUMBER
51952-057__

NOTES:

1. DIMENSIONS AND TOLERANCES ARE IN ACCORDANCE WITH ASME Y14.5M, 1994 UNLESS OTHERWISE SPECIFIED.

CONNECTOR NOTES:

2 HOUSING MATERIAL: UL 94 V-0 GLASS FILLED HIGH-TEMP THERMOPLASTIC

POWER CONTACT MATERIAL: COPPER ALLOY
SIGNAL PIN MATERIAL: COPPER ALLOY

3. PLATING:

51952-057: SIGNAL PIN: 30u"/0.76um Au OVER 50u"/1.27um Ni ON THE CONTACT AREA
AND 100u"/2.54um SnPb OVER 50u"/1.27um Ni ON THE TERMINATION AREA
POWER PIN: 30u"/0.76um Au OVER 50u"/1.27um Ni ON THE CONTACT AREA
AND 100u"/2.54um SnPb OVER 50u"/1.27um Ni ON THE TERMINATION AREA

51952-057LF: SIGNAL PIN: 30u"/0.76um Au OVER 50u"/1.27um Ni ON THE CONTACT AREA
AND 78u"/2.00um Sn OVER 50u"/1.27um Ni ON THE TERMINATION AREA
POWER PIN: 30u"/0.76um Au OVER 50u"/1.27um Ni ON THE CONTACT AREA
AND 78u"/2.00um Sn OVER 50u"/1.27um Ni ON THE TERMINATION AREA

PART NUMBER 51952-057LF MEETS EUROPEAN UNION DIRECTIVE AND OTHER COUNTRY REGULATIONS AS DESCRIBED IN GS-22-008.

THE HOUSING WILL WITHSTAND EXPOSURE TO 260° PEAK TEMPERATURE FOR 10 SECONDS IN A WAVE SOLDER APPLICATION WITH A CIRCUIT BOARD.

4 MANUFACTURER'S NAME, P/N, AND DATE CODE TO APPEAR ON THIS SURFACE.

5. PRODUCT SPECIFICATION GS-12-149.
APPLICATION SPECIFICATION BUS-20-067.

6. PACKAGED IN TRAYS.

PCB NOTES:

7. ALL HOLE DIAMETERS ARE FINISHED HOLE SIZE.

8. MOUNTING HOLES, WHERE APPLICABLE, ARE UNPLATED.

9 $\varnothing .0453 \pm .0010$ [1.151 ± 0.025] DRILLED HOLES PLATED WITH
.0003 [0.008] MIN SnPb OVER .001 [0.03]
TO .003 [0.08] Cu PLATING TO ACHIEVE
 $\varnothing .040 \pm .003$ [1.02 ± .07] HOLE.

10 "DIM XXX" TO BE DETERMINED BY THE CUSTOMER.

11 CONNECTOR KEEP-OUT ZONE.

mat'l code		SEE NOTE 2		tolerances unless otherwise specified		CUSTOMER		A FCI		www.fciconnect.com	
lir	ecn no.	dr	date	linear	.XX±.01/0.X±0.3	projection	COPY		title		
B					.XXX±.005/0.XX±0.13				44S + 4P		
				angles	.XXX±.002/0.XXX±0.051	$0^\circ \pm 2^\circ$			VERTICAL SOLDER HEADER		
				dr	S1uo	02/22/05	INCH/MM		product family	PwrBlade	code
				enrg	S1uo	02/22/05	scale		size	dwg no	213
				chr	Victor Lin	02/22/05	1:1		A	51952-057	sheet
				appd	Joseph hsia	02/22/05					4 of 4
sheet index	revision										
	sheet										

A

B

1 | 2

Pro/E

3 |

cage code 22526

4