

# Customer Information Sheet

DRAWING No.: R30-161XX00

SHEET 2 OF 2

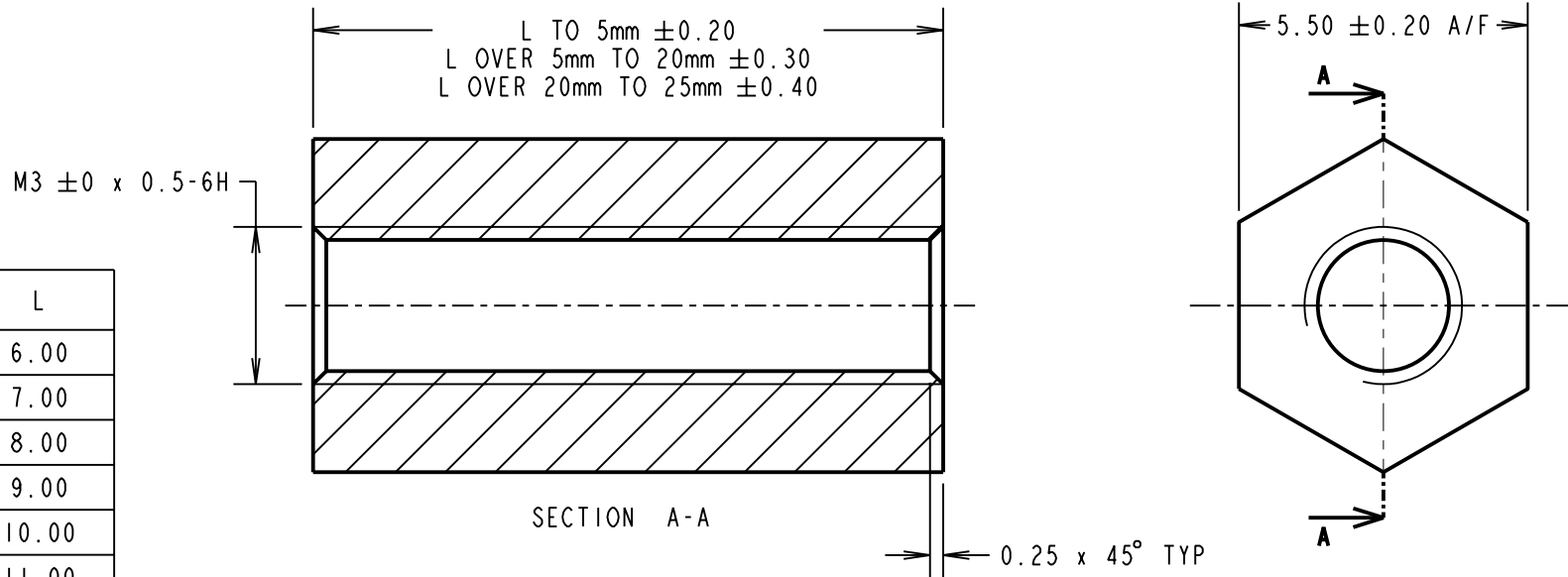
IF IN DOUBT - ASK

©

NOT TO SCALE

THIRD ANGLE PROJECTION

ALL DIMENSIONS IN mm



PART No.	L
R30-1610600	6.00
R30-1610700	7.00
R30-1610800	8.00
R30-1610900	9.00
R30-1611000	10.00
R30-1611100	11.00
R30-1611200	12.00
R30-1611300	12.70
R30-1611400	14.00
R30-1611500	15.00
R30-1611600	16.00
R30-1611800	18.00
R30-1612000	20.00
R30-1612500	25.00

ORDER CODE:  
**R30-161XX00**  
 LENGTH L IN mm

EXCEPT:  
**R30-1611300**  
 LENGTH 12.70mm

NOTES:  
 1. SPACERS OVER 12mm DO NOT HAVE A THROUGH TAPPED HOLE, BUT HAVE A MINIMUM THREAD LENGTH OF 6mm FROM BOTH ENDS.

CP	5	24.02.10	10674
NAME	ISS.	DATE	C/NOTE
APPROVED: C.PENROSE			
CHECKED: R.ADDE			
DRAWN: A.LIOTTA			
CUSTOMER REF.:			
ASSEMBLY DRG:			

## HARWIN

HARWIN USA TEL: 603 893 5376 FAX: 603 893 5396 mis@harwin.com	HARWIN Europe (UK) TEL: 023 9231 4545 FAX: 023 9231 4590 mis@harwin.co.uk	HARWIN Asia TEL: +65 6 779 4909 FAX: +65 6 779 3868 mis@harwin.com.sg
--	--	--

THIS DRAWING AND ANY INFORMATION OR DESCRIPTIVE MATTER SET OUT HEREON ARE CONFIDENTIAL AND COPYRIGHT PROPERTY OF THE HARWIN GROUP AND MUST NOT BE DISCLOSED, LOANED, COPIED OR USED FOR MANUFACTURING, TENDERING OR FOR ANY OTHER PURPOSE WITHOUT THEIR WRITTEN PERMISSION.

TOLERANCES  
 X. = ±1mm  
 X.X = ±0.25mm  
 X.XX = ±0.10mm  
 X.XXX = ±0.01mm  
 ANGLES = ±5°  
 UNLESS STATED

MATERIAL:  
 NYLON 66  
 UL94V-2

FINISH: CLEAN

S/AREA: mm<sup>2</sup>

TITLE:  
 M3 HEXAGONAL  
 THREADED SPACER

DRAWING NUMBER:  
**R30-161XX00**

SHT  
 2 OF 2