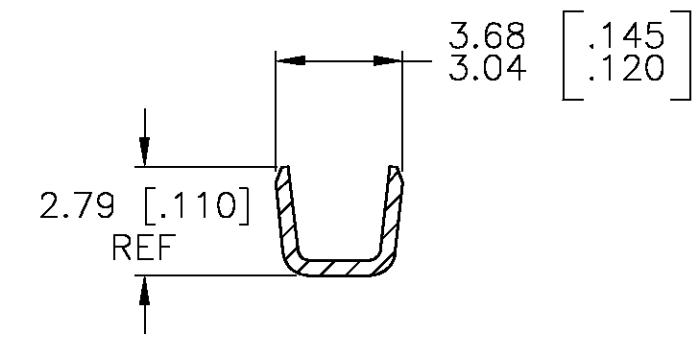
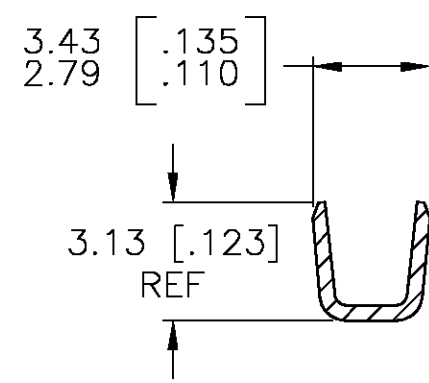
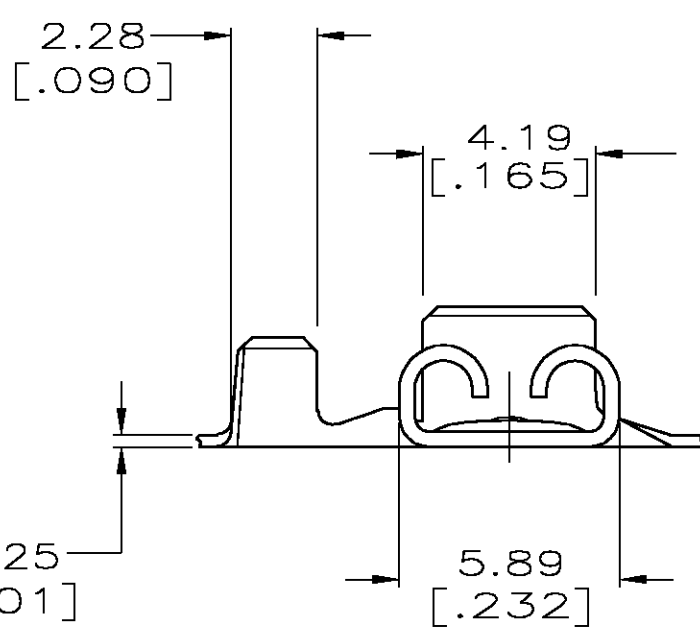
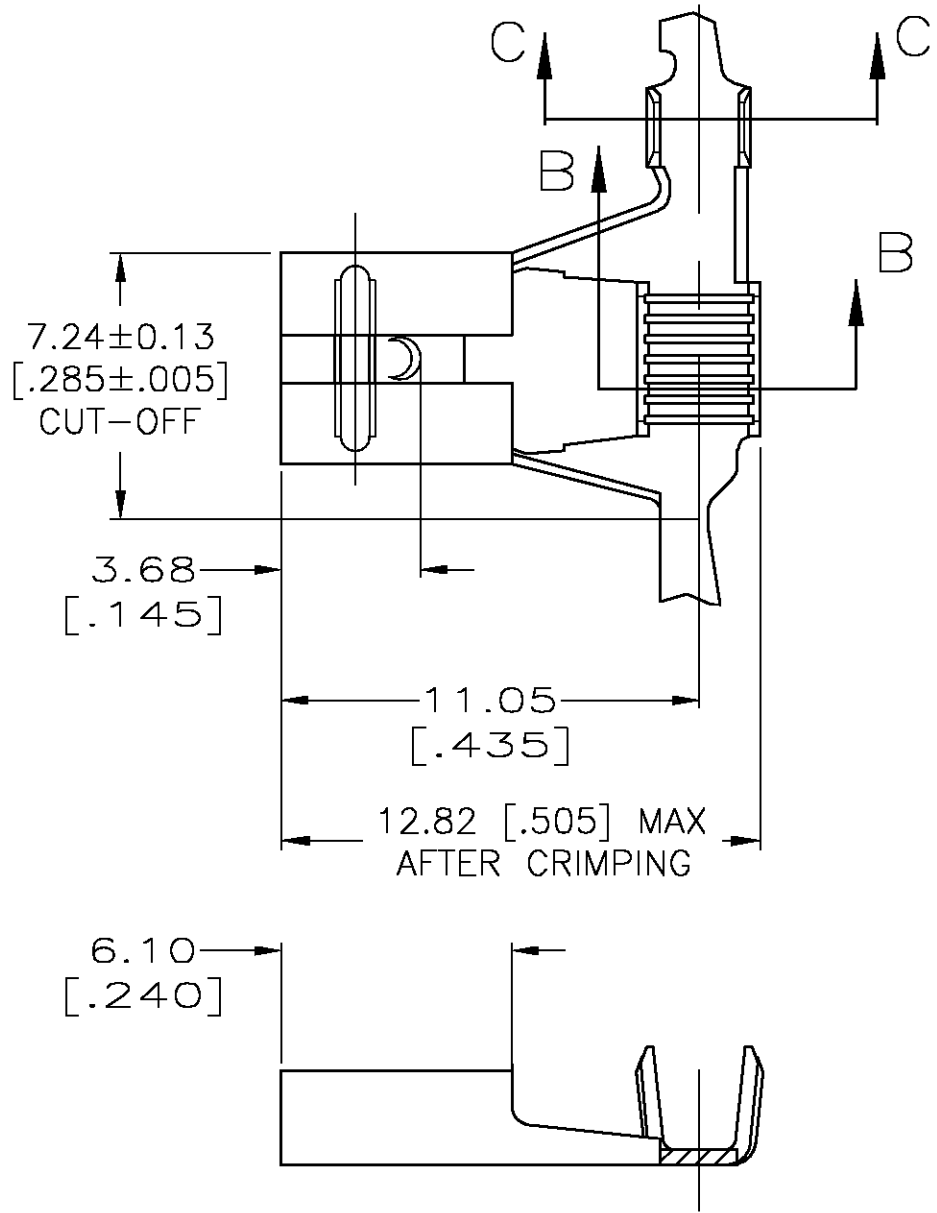


THIS DRAWING IS UNPUBLISHED. RELEASED FOR PUBLICATION
 © COPYRIGHT BY TYCO ELECTRONICS CORPORATION. ALL RIGHTS RESERVED.

LOC	DIST	REVISIONS			
P	LTR	DESCRIPTION	DATE	DWN	APVD
AF	50	C	REL PER 0G3A-0807-03	18DEC03	JR PD

- 1 CONTINUOUS STRIP ON REELS.
- 2 ACCEPTS MAGNET WIRE RANGES 2000-4050 CMA.
- 3 MATING TAB THK TO BE 0.81 ± 0.025 [$.032 \pm .001$].
- △ 4 0.002032 [$.000080$] MIN TIN



1217955-1
 PART NO.

THIS DRAWING IS A CONTROLLED DOCUMENT.		DWN JR RUTH 16MAY03	Tyco Electronics Corporation Harrisburg, PA 17105				
DIMENSIONS: MM		CHK MS FEHER 16MAY03					
TOLERANCES UNLESS OTHERWISE SPECIFIED:		APVD P DESANTIS 16MAY03	NAME RECEPTACLE, FASTON, FLAG, AMPLIVAR, 4.75 [.187] SERIES				
0 PLC ± - 1 PLC ± - 2 PLC ± 0.25 [.010] 3 PLC ± - 4 PLC ± - ANGLES ± -		PRODUCT SPEC -	APPLICATION SPEC -				
MATERIAL H04 BRASS		FINISH - △ 4	WEIGHT -	SIZE A3	CAGE CODE 00779	DRAWING NO C-1217955	RESTRICTED TO -
CUSTOMER DRAWING			SCALE 5:1	SHEET 1 OF 1	REV C		