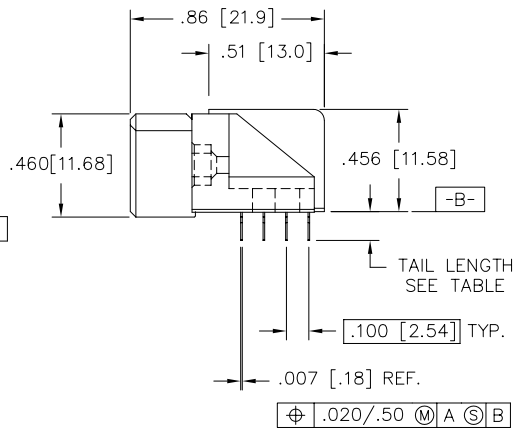
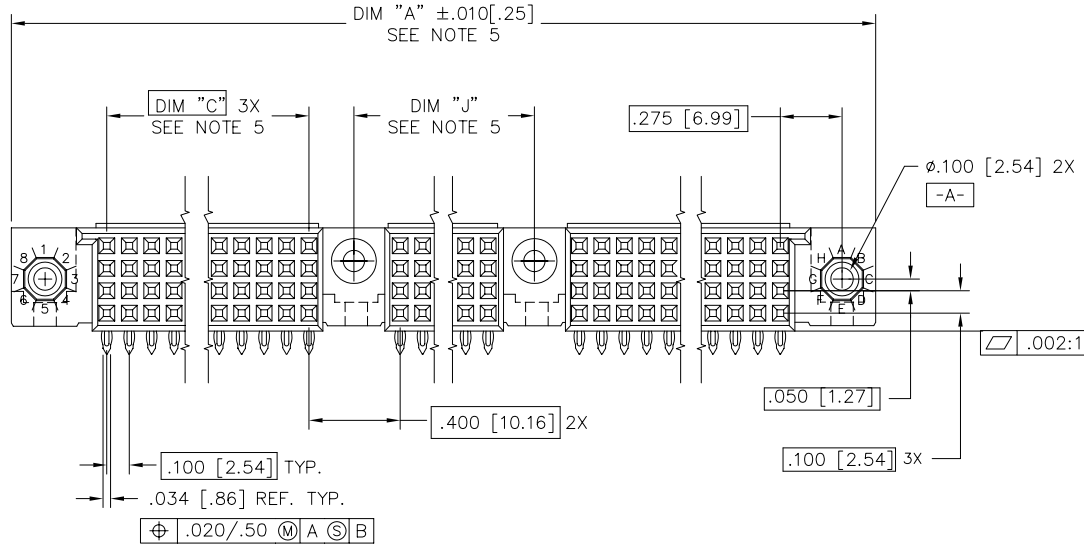
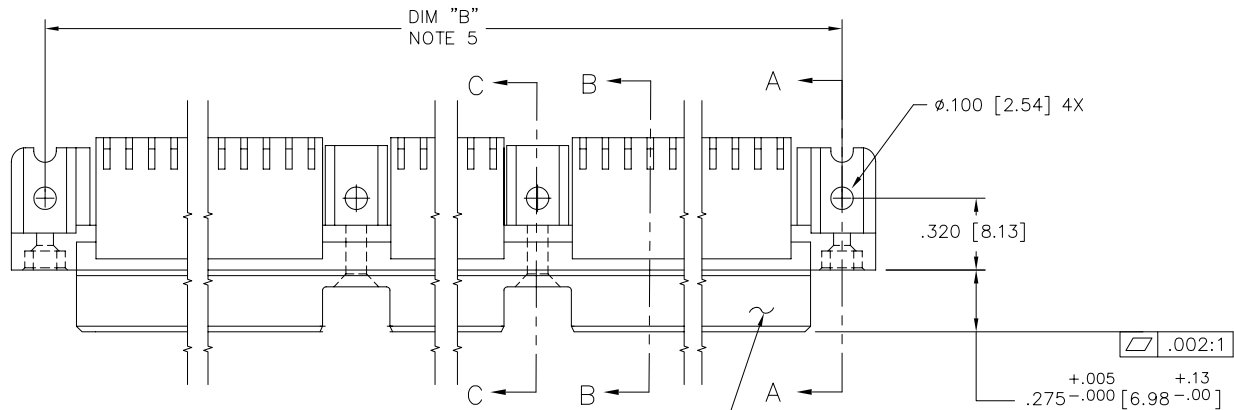


PRODUCT NUMBER
SEE TABLE



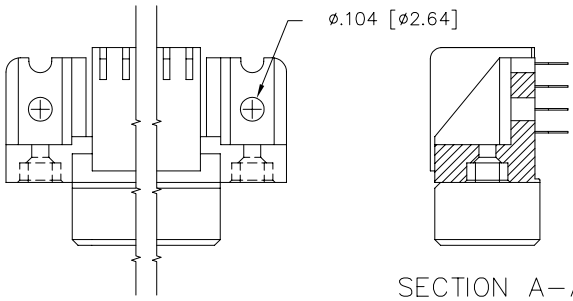
FCI
FCIconnect.com

Copyright FCI

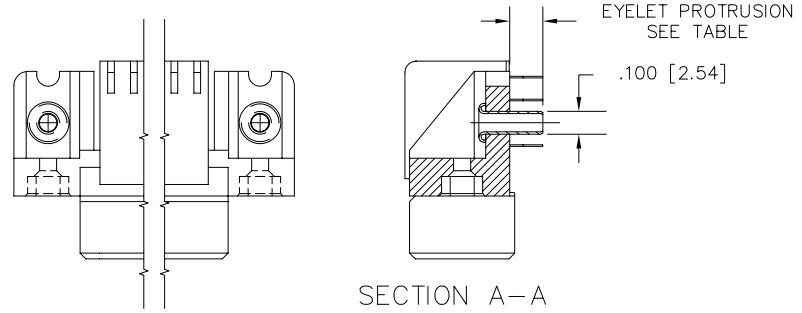
mat'l. code SEE NOTE 3		surface ISO 1302 ✓		tolerance ISO 406 ISO 1101		projection INCH/MM		product family HPC	
ltr	ecn	no	dr	date		tolerances unless otherwise specified		title	
N	v10820	JRW	2/1/01	angles	linear	.xx±.01/.3		4 ROW R/A RECEPTACLE PRESS FIT, 2 GUIDE PINS	
P	v10947	CGD	2/28/01	0°±2'		.xxx±.005/.13		dwg no	
R	v10960	MEM	3/14/01			.xxxx±.0020/.051		sheet 1 of 6 size	
S	v05-0512	DAI	8/01/05	dr	G.PETERS	6/12/93		A3	
T	v05-1054	HTB	11/16/05	enr	S.CLARK	6/12/93		50644	
U	M06-0283	MHT	7/27/06	chr	S.CLARK	6/12/93		type	
V	M07-0099	AGS	2/08/07	appd	S.CLARK	6/12/93		Product Customer Drawing	
sheet	revision	V	V	V	V	V	V		
index	sheet	1	2	3	4	5	6		

form: A3

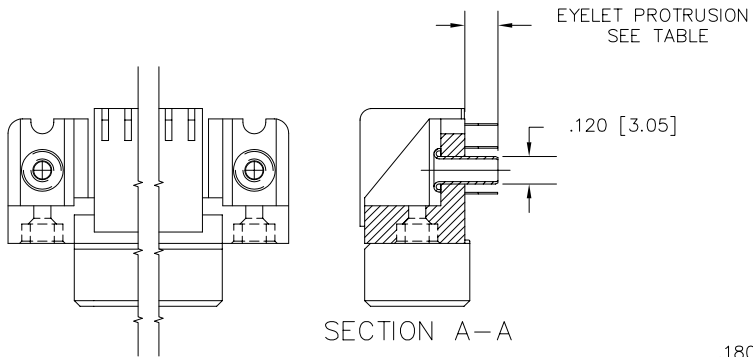
PRODUCT NUMBER
SEE TABLE



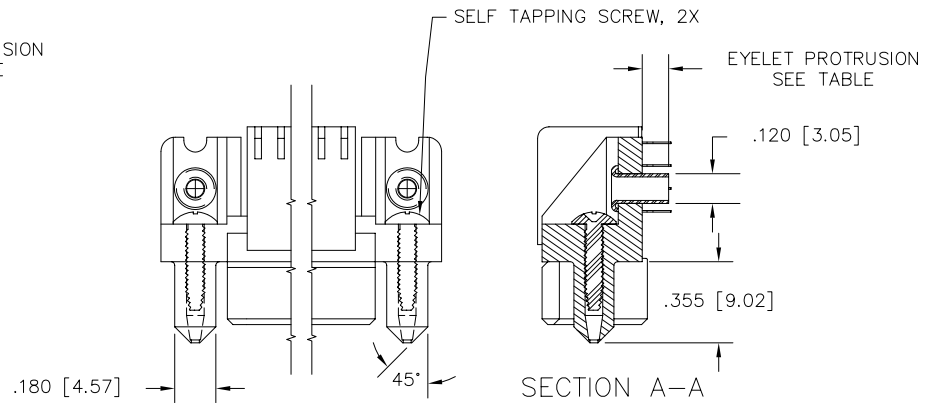
SPECIAL FEATURE OPTION A



SPECIAL FEATURE OPTION B



SPECIAL FEATURE OPTION C



SPECIAL FEATURE OPTION D



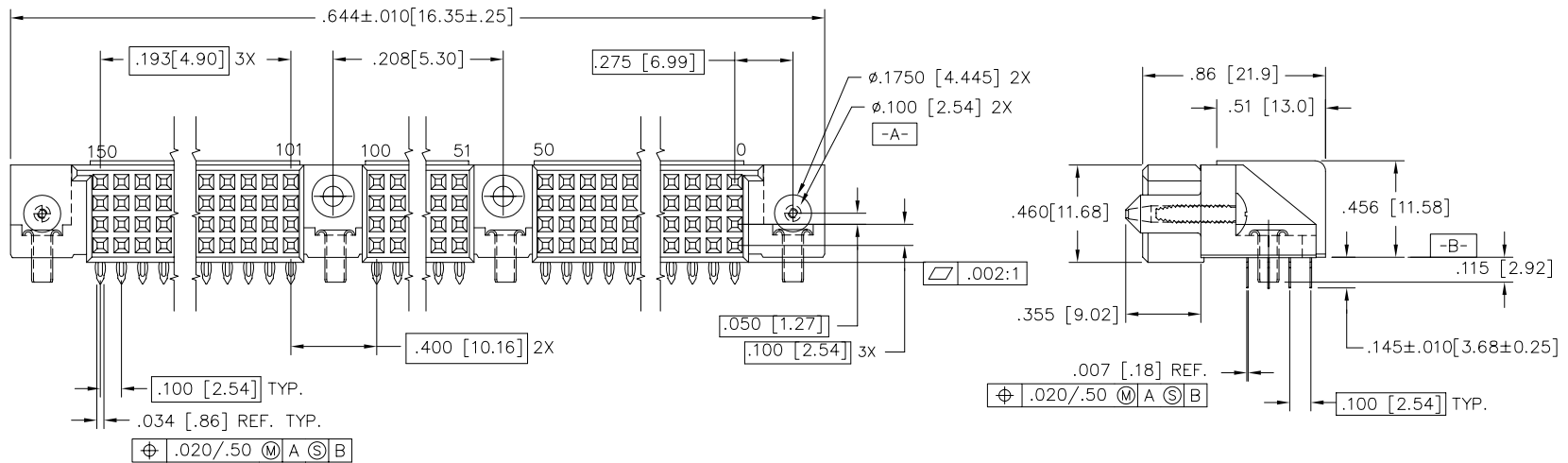
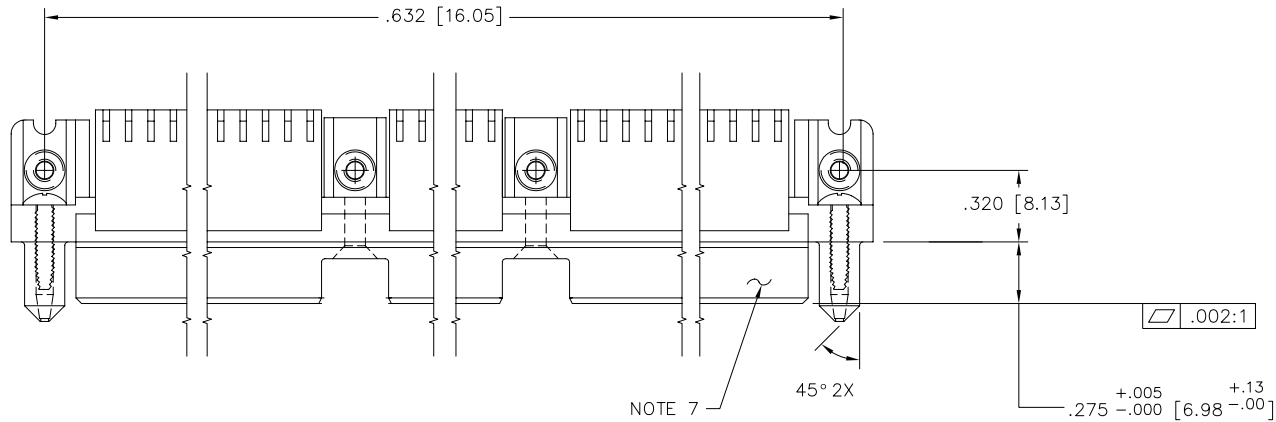
FCIconnect.com

Copyright FCI

mat'l. code		surface ISO 1302 ✓		tolerance ISO 406 ISO 1101		projection INCH/MM		product family HPC	
ltr	ecn	no	dr	date		tolerances unless otherwise specified		title	
V						angles	linear	4 ROW R/A RECEPTACLE PRESS FIT, 2 GUIDE PINS	
						0°±2'	.xx±.01/.3 .xxx±.005/.13 .xxxx±.0020/.051	scale 1:1	
			dr	G.PETERS	6/12/93			dwg no	
			enr	S.CLARK	6/12/93			sheet 3 of 6	
			chr	S.CLARK	6/12/93			size 50644 A3	
			appd	S.CLARK	6/12/93			type Product Customer Drawing	
sheet index	revision sheet								

PRODUCT NUMBER
50644-XX001
50644-XX001LF

50644-XX001 AND 50644-XX001LF ONLY

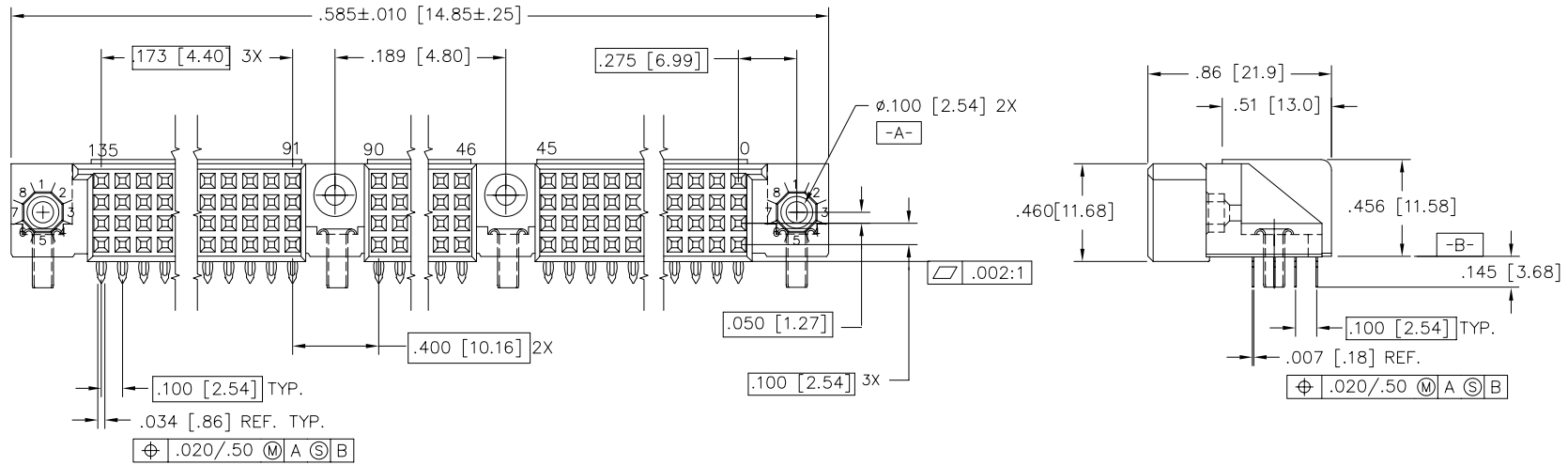
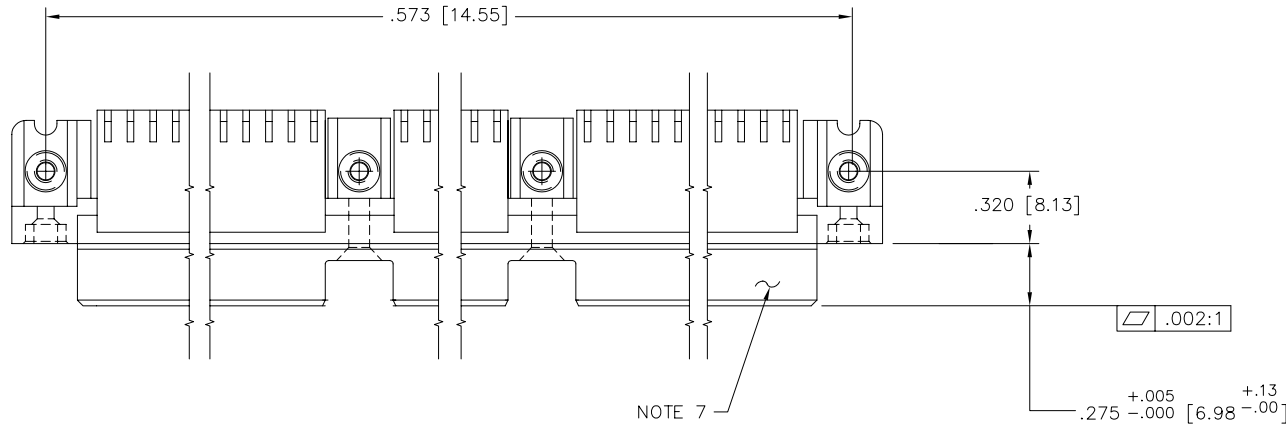


- NOTES FOR -XX001 AND XX001LF ONLY:
1. ALL POSITIONS LOADED WITH .145[3.68] TAIL LENGTH.
 2. SIZE 4 x 150
TOTAL NUMBER OF POSITIONS - 600
TOTAL NUMBER OF POSITIONS LOADED - 600

mat'l. code SEE NOTE 3	surface ISO 1302 ✓	tolerance ISO 406 ISO 1101	projection ϕ ∇	product family HPC			
ltr	ecn	no	dr	date	tolerances unless otherwise specified	INCH/MM	title 4 ROW R/A RECEPTACLE PRESS FIT, 2 GUIDE PINS
v					angles linear .XX±.01/.3 .XXX±.005/.13 .XXX±.0020/.051	scale 1:1	dwg no 50644
			dr	G.PETERS	6/12/93	FCJ	sheet 4 of 6 size A3
			enr	S.CLARK	6/12/93		type Product Customer Drawing
			chr	S.CLARK	6/12/93		
			appd	S.CLARK	6/12/93		
sheet index	revision sheet						

PRODUCT NUMBER
50644-XX002
50644-XX002LF

50644-XX002 AND 50644-XX002LF ONLY



NOTES FOR -XX002 AND XX002LF ONLY:

1. ALL POSITIONS LOADED WITH .145[3.68] TAIL LENGTH.
2. SIZE 4 x 135
TOTAL NUMBER OF POSITIONS - 540
TOTAL NUMBER OF POSITIONS LOADED - 540

mat'l. code		surface ISO 1302 ✓	tolerance ISO 406 ISO 1101	projection INCH/MM	product family HPC
ltr	ecn	no	dr	date	tolerances unless otherwise specified
v					angles linear .xx±.01/.3 .xxx±.005/.13 .xxxx±.0020/.051
					0°±2'
			dr	G.PETERS 6/12/93	scale 1:1
			enr	S.CLARK 6/12/93	FCJ
			chr	S.CLARK 6/12/93	
			appd	S.CLARK 6/12/93	
sheet index	revision sheet				product family HPC
					title 4 ROW R/A RECEPTACLE PRESS FIT, 2 GUIDE PINS
					dwg no 50644
					sheet 5 of 6 size A3
					type Product Customer Drawing

PRODUCT NUMBER NOTE 1	NUMBER OF POSITIONS NOTE 2	TAIL LENGTH ±.010/0.25	SPECIAL FEATURES SEE NOTE 10	SOLDER TAIL PLATING	PLATING IN CONTACT AREA	EYELET PROTRUSION
50644 -1YYE	YYY	.125/3.18	NONE	TIN-LEAD	30u"/.76u Au	N/A
50644 -5YYYELF	YYY	.125/3.18	NONE	TIN	30u"/.76u GXT	N/A
50644 -1YYEA	YYY	.125/3.18	"A"	TIN-LEAD	30u"/.76u Au	N/A
50644 -5YYYEALF	YYY	.125/3.18	"A"	TIN	30u"/.76u GXT	N/A
50644 -1YYEB	YYY	.125/3.18	"B"	TIN-LEAD	30u"/.76u Au	0.145/3.68
50644 -5YYYEBLF	YYY	.125/3.18	"B"	TIN	30u"/.76u GXT	0.145/3.68
50644 -1YYEC	YYY	.125/3.18	"C"	TIN-LEAD	30u"/.76u Au	0.115/2.92
50644 -5YYYECLF	YYY	.125/3.18	"C"	TIN	30u"/.76u GXT	0.115/2.92
50644 -1YYED	YYY	.125/3.18	"D"	TIN-LEAD	30u"/.76u Au	0.115/2.92
50644 -5YYEDLF	YYY	.125/3.18	"D"	TIN	30u"/.76u GXT	0.115/2.92
50644 -1YYF	YYY	.145/3.68	NONE	TIN-LEAD	30u"/.76u Au	N/A
50644 -5YYFLF	YYY	.145/3.68	NONE	TIN	30u"/.76u GXT	N/A
50644 -1YYFA	YYY	.145/3.68	"A"	TIN-LEAD	30u"/.76u Au	N/A
50644 -5YYFALF	YYY	.145/3.68	"A"	TIN	30u"/.76u GXT	N/A
50644 -1YYFC	YYY	.145/3.68	"C"	TIN-LEAD	30u"/.76u Au	0.145/3.68
50644 -5YYFCLF	YYY	.145/3.68	"C"	TIN	30u"/.76u GXT	0.145/3.68
50644 -1YYFD	YYY	.145/3.68	"D"	TIN-LEAD	30u"/.76u Au	0.145/3.68
50644 -5YYFDLF	YYY	.145/3.68	"D"	TIN	30u"/.76u GXT	0.145/3.68
50644 -XX001	600	.145/3.68	"D"	TIN-LEAD	30u"/.76u Au	0.115/2.92
50644 -XX001LF	600	.145/3.68	"D"	TIN	30u"/.76u GXT	0.115/2.92
50644 -XX002	540	.145/3.68	"B"	TIN-LEAD	30u"/.76u Au	0.145/3.68
50644 -XX002LF	540	.145/3.68	"B"	TIN	30u"/.76u GXT	0.145/3.68
50644 -1YYELF	YYY	.125/3.18	NONE	TIN	30u"/.76u Au	N/A
50644 -1YYEALF	YYY	.125/3.18	"A"	TIN	30u"/.76u Au	N/A
50644 -1YYEBLF	YYY	.125/3.18	"B"	TIN	30u"/.76u Au	0.145/3.68
50644 -1YYECLF	YYY	.125/3.18	"C"	TIN	30u"/.76u Au	0.115/2.92
50644 -1YYEDLF	YYY	.125/3.18	"D"	TIN	30u"/.76u Au	0.115/2.92
50644 -1YYFLF	YYY	.145/3.68	NONE	TIN	30u"/.76u Au	N/A
50644 -1YYFALF	YYY	.145/3.68	"A"	TIN	30u"/.76u Au	N/A
50644 -1YYFCLF	YYY	.145/3.68	"C"	TIN	30u"/.76u Au	0.145/3.68
50644 -1YYFDLF	YYY	.145/3.68	"D"	TIN	30u"/.76u Au	0.145/3.68



Copyright FCI

mat'l. code		surface ISO 1302 ✓	tolerance ISO 406 ISO 1101	projection 	product family HPC
ltr	ecn	no	dr	date	tolerances unless otherwise specified
V					angles linear .XX±.01/.3 .XXX±.005/.13 .XXXX±.0020/.051
					INCH/MM
					scale 1:1
			dr	G.PETERS	6/12/93
			enr	S.CLARK	6/12/93
			chr	S.CLARK	6/12/93
			appd	S.CLARK	6/12/93
sheet index	revision sheet				
				title 4 ROW R/A RECEPTACLE PRESS FIT, 2 GUIDE PINS	
				dwg no 50644 sheet 6 of 6 size A3	
				type Product Customer Drawing	