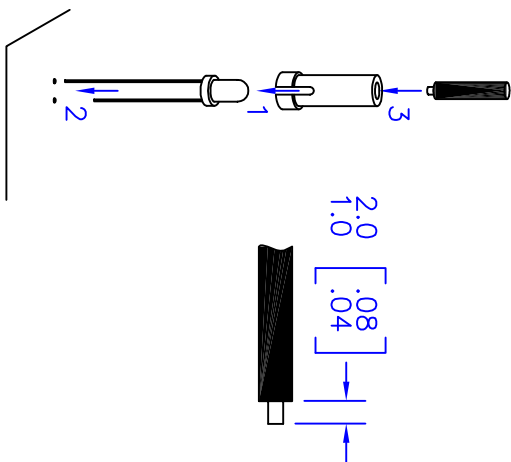


LIGHT PIPE

PREPARATION/INSTALLATION:



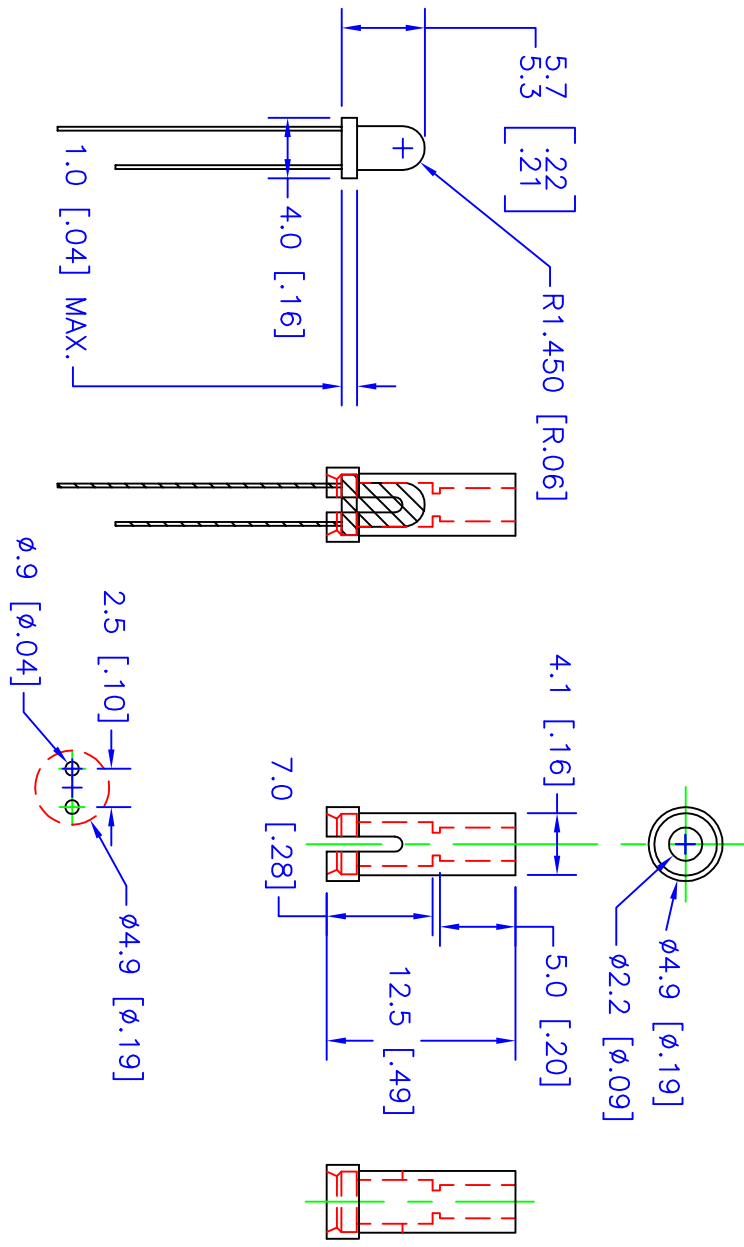
NOTES:

1. ROHS COMPLIANT
2. UL 94V-2 FLAMMABILITY RATING
3. -40°C TO 85°C OPERATING TEMPERATURE
4. SUITABLE FOR LIGHT PIPE WITH $\phi 2.2$ mm JACKET AND OPTICAL CORE NO GREATER THAN $\phi 1.5$ mm
5. DO NOT WAVE SOLDER WITH THIS DEVICE
6. FOR BEST RESULTS USE ONLY NARROW VIEWING ANGLE NON-DIFFUSED LEDS WITH OUTPUT POWER GREATER THAN 100mcd
7. NOT RECOMMENDED FOR DATA COMMUNICATIONS



METRIC

REVISIONS		ECO	DATE	DWN	APVD
REV	DESCRIPTION				
C	REVISED STRIP LENGTH FROM 1.0 ϕ .05	0034	09/17/09	BB	KS



PART IS MADE OF BLACK NYLON.

UNLESS OTHERWISE SPECIFIED		PRODUCT	NAME	
DIMENSIONS MILLIMETERS [IN.]		LIGHT PIPE	INDUSTRIAL FIBER OPTICS	
TOLERANCES		MATERIAL NYLON 66	TEMPE, AZ 85281	
0 PLC: ± 1	SURFACE 3 $\sqrt{2}$	FINISH NONE	MOUNT, VERTICAL LED	
1 PLC: ± 0.25	TEXTURE: \checkmark	DRAWN BY B. BIDWELL	TO LIGHT PIPE	
2 PLC: ± 0.127		DATE 11/12/08	SIZE SCALE 2:1	PART NUMBER 51 0320
3 PLC: ± 0.25		CHECKED BY K. STOTZ	DO NOT SCALE DRAWING	SHEET 1 OF 1
4 PLC: ± 0.13		DATE 09/17/09		REV C
ANGLE: $\pm 1/2$				

REMOVE BURRS AND SHARP EDGES
FLATNESS .005 MM PER MM
ALL DIMENSIONS AFTER FINISH