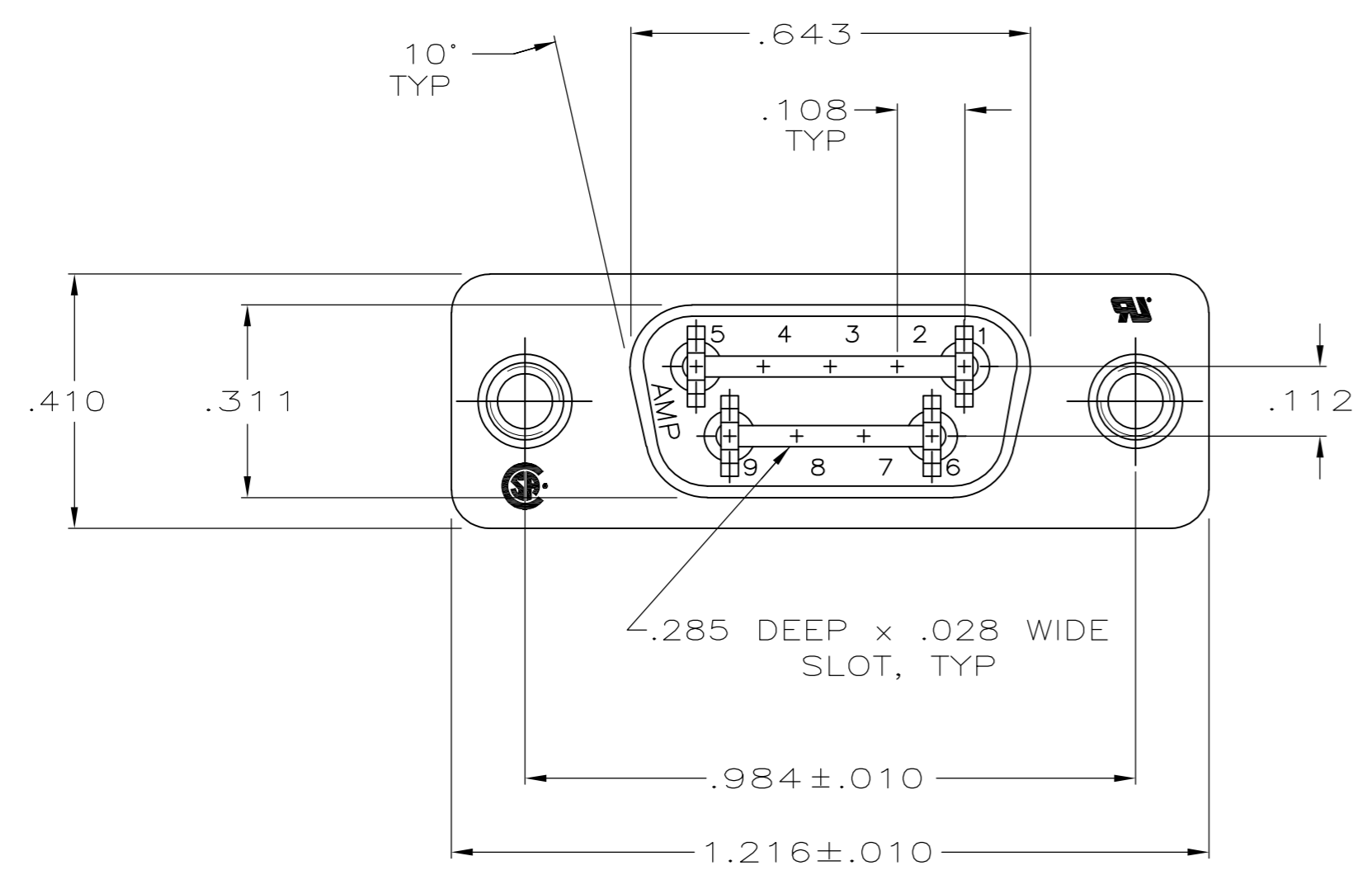
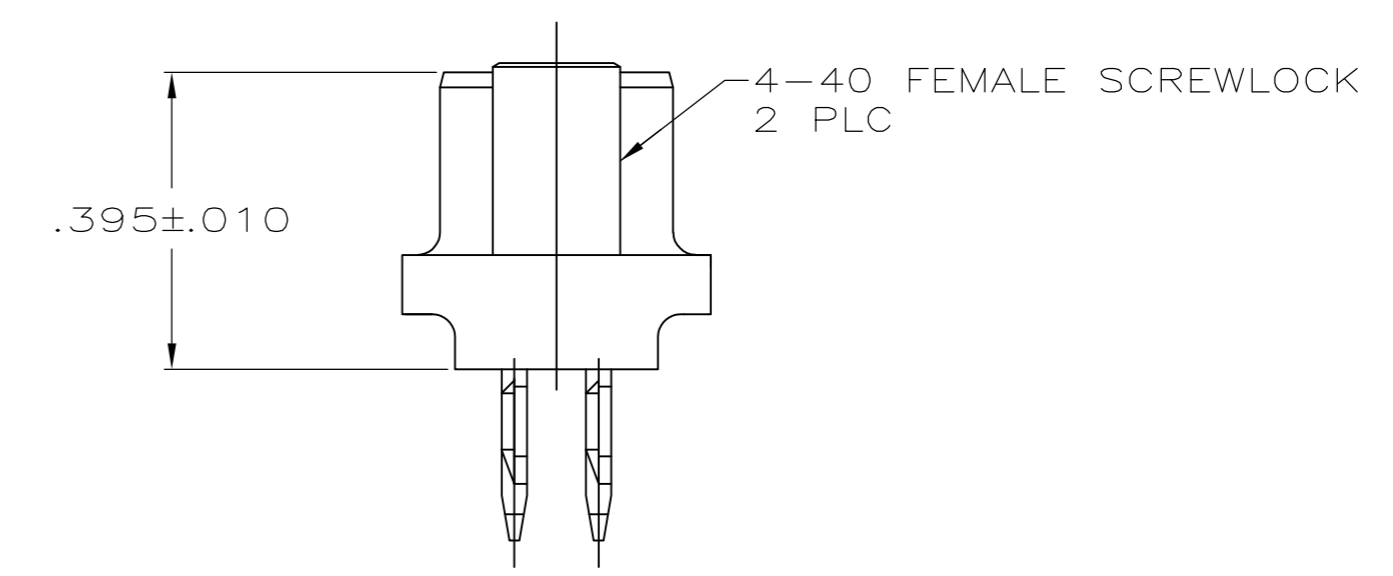
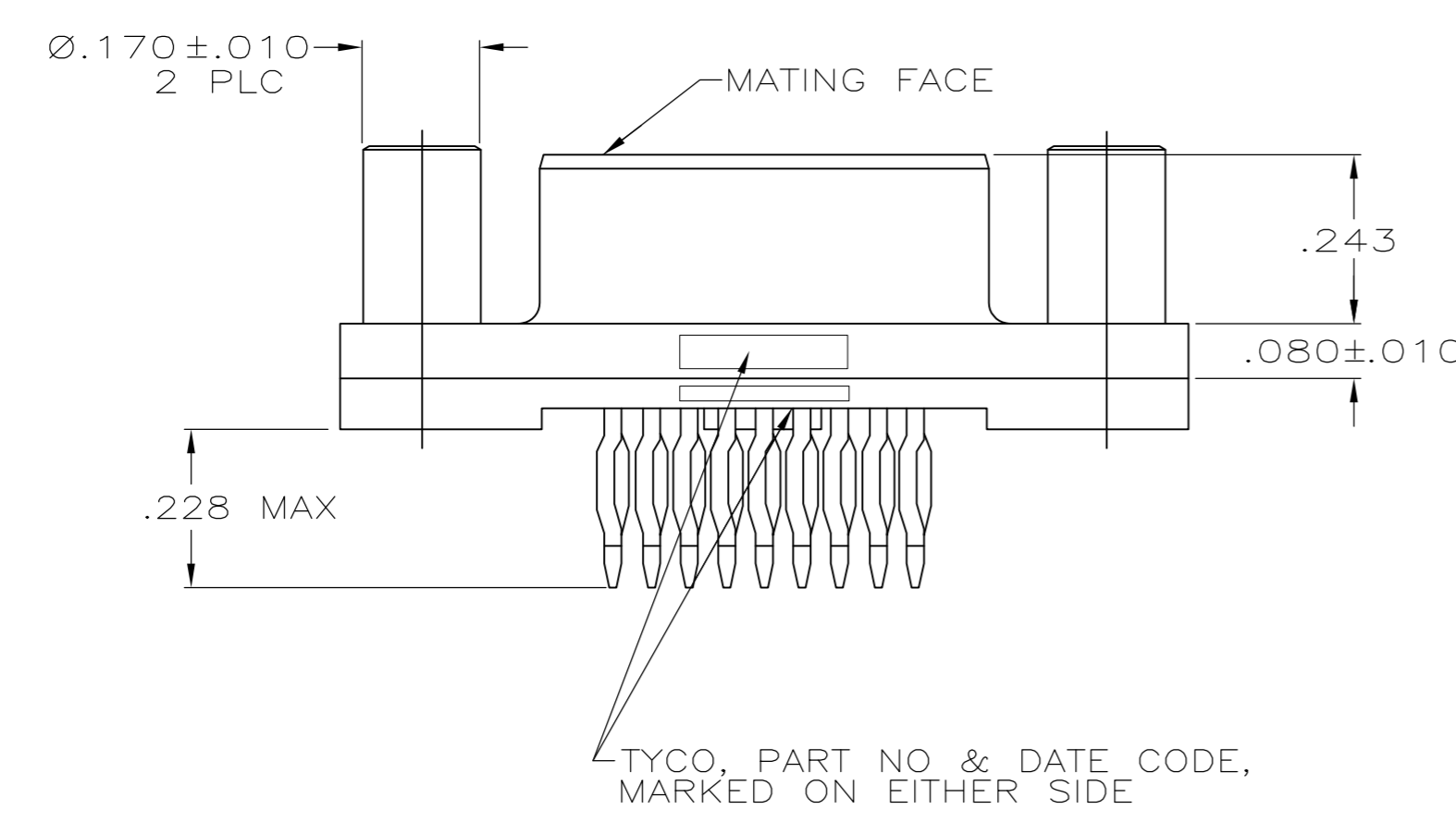


THIS DRAWING IS UNPUBLISHED. RELEASED FOR PUBLICATION  
 © COPYRIGHT - By - ALL RIGHTS RESERVED.

LOC	DIST	REVISIONS			
P	LTR	DESCRIPTION	DATE	OWN	APVD
GP	00	G	REVISED PER ECO-12-000090	27JAN2012	CJV SLB



- 1 FOR USE WITH .093 MINIMUM THICK PRINTED CIRCUIT BOARD. REFER TO APPLICATION SPECIFICATION FOR PRINTED CIRCUIT BOARD LAYOUT DIMENSIONS AND FINISH RECOMMENDATIONS.
- 2 HOUSING: FLAME RETARDANT 94V-0 RATED THERMOPLASTIC, COLOR BLACK  
 CONTACTS: COPPER-NICKEL ALLOY.  
 SCREW LOCKS: BRASS.
- 3 SCREW LOCKS: .000050 MIN NICKEL PLATE OVER COPPER FLASH.
- 4 CONTACTS:  
 0.76 MICROMETERS [.000030]MIN GOLD IN MATING AREA.  
 2.54 MICROMETERS [.000100]MIN TIN OR TIN-LEAD ON COMPLIANT PIN.  
 ALL OVER 1.27 MICROMETERS [.000050]MIN NICKEL.  
 OR  
 GOLD FLASH OVER PALLADIUM NICKEL.  
 0.76 MICROMETERS [.000030]MIN TOTAL IN MATING AREA.  
 2.54 MICROMETERS [.000100]MIN TIN OR TIN-LEAD ON COMPLIANT PIN.  
 ALL OVER 1.27 MICROMETERS [.000050]MIN NICKEL.



745454-2  
 PART NO

THIS DRAWING IS A CONTROLLED DOCUMENT. DIMENSIONING AND TOLERANCING PER ASME Y14.5M-2009		DWN D.WALLACE 06NOV2010	TE Connectivity		
DIMENSIONS: INCHES		CHK J.LIPPERT 06NOV2010			
TOLERANCES UNLESS OTHERWISE SPECIFIED:		APVD J.LIPPERT 06NOV2010	NAME RECEPTACLE ASSEMBLY, SIZE 1, 9 POSITION, AMPLIMITE HDP, LOW PROFILE, W/ ACTION PIN CONT & FEMALE SCREWLOCKS		
0 PLC ± -		PRODUCT SPEC 108-40014	SIZE A2	CAGE CODE 00779	DRAWING NO 745454
1 PLC ± -		APPLICATION SPEC 114-40026	RESTRICTED TO -		
2 PLC ± -		WEIGHT -	SCALE 4:1		
3 PLC ± .005		CUSTOMER DRAWING		SHEET 1 of 1	
4 PLC ± -		REV G			
ANGLES ± 2'					
FINISH					