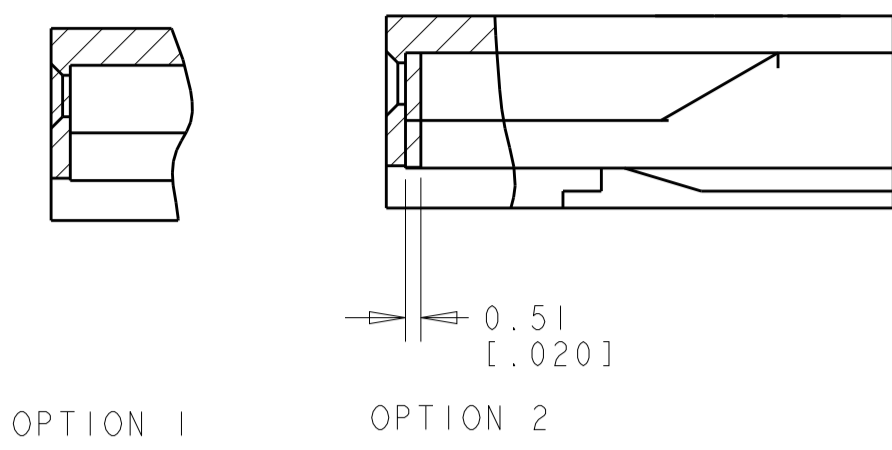
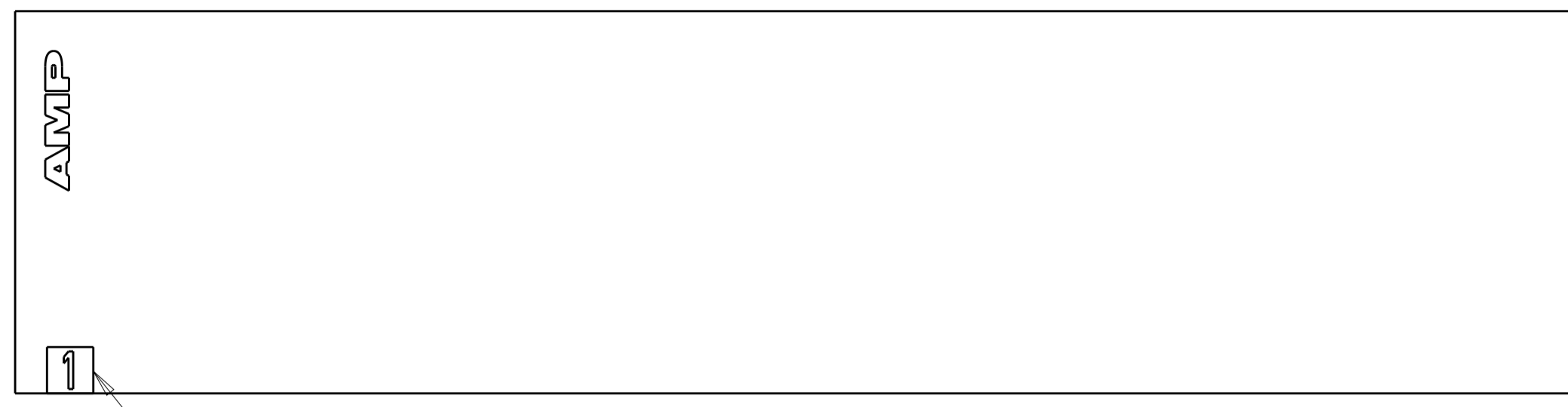
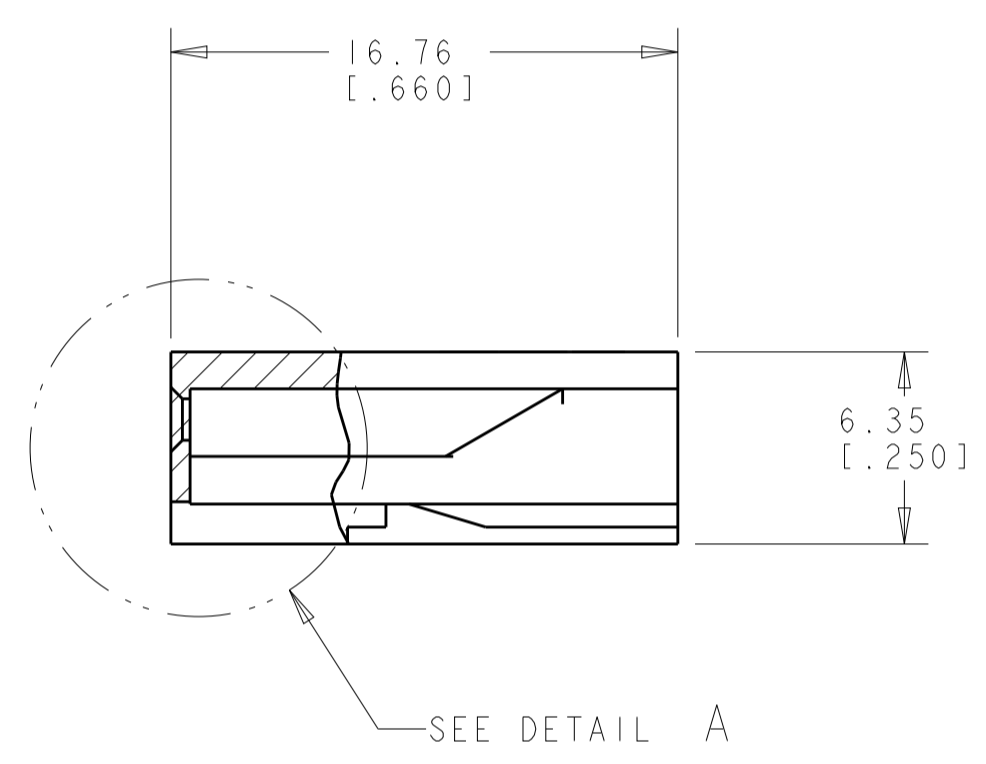
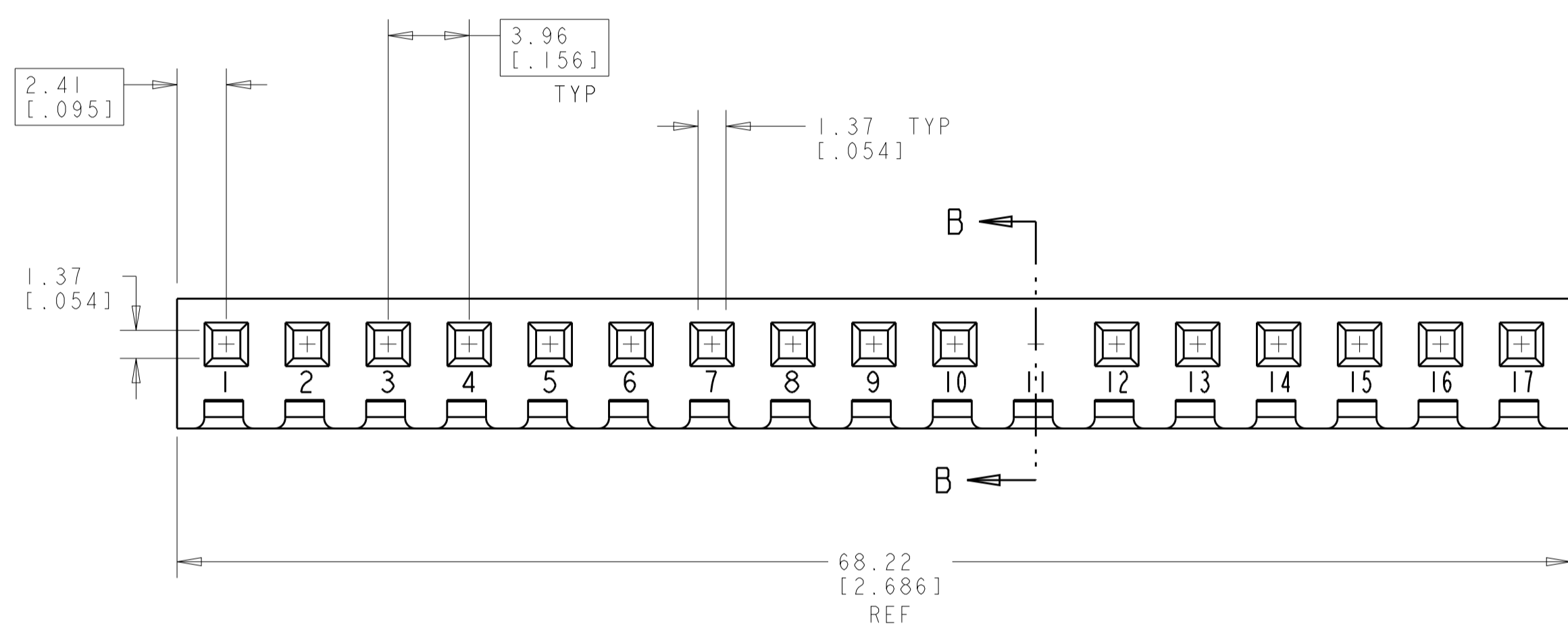


LOC	DIST	REVISIONS					
		P	LTN	DESCRIPTION	DATE	DWN	APVD
CM	00	B		REVISED PER ECO-12-007810	28JUL2012	KH	SM

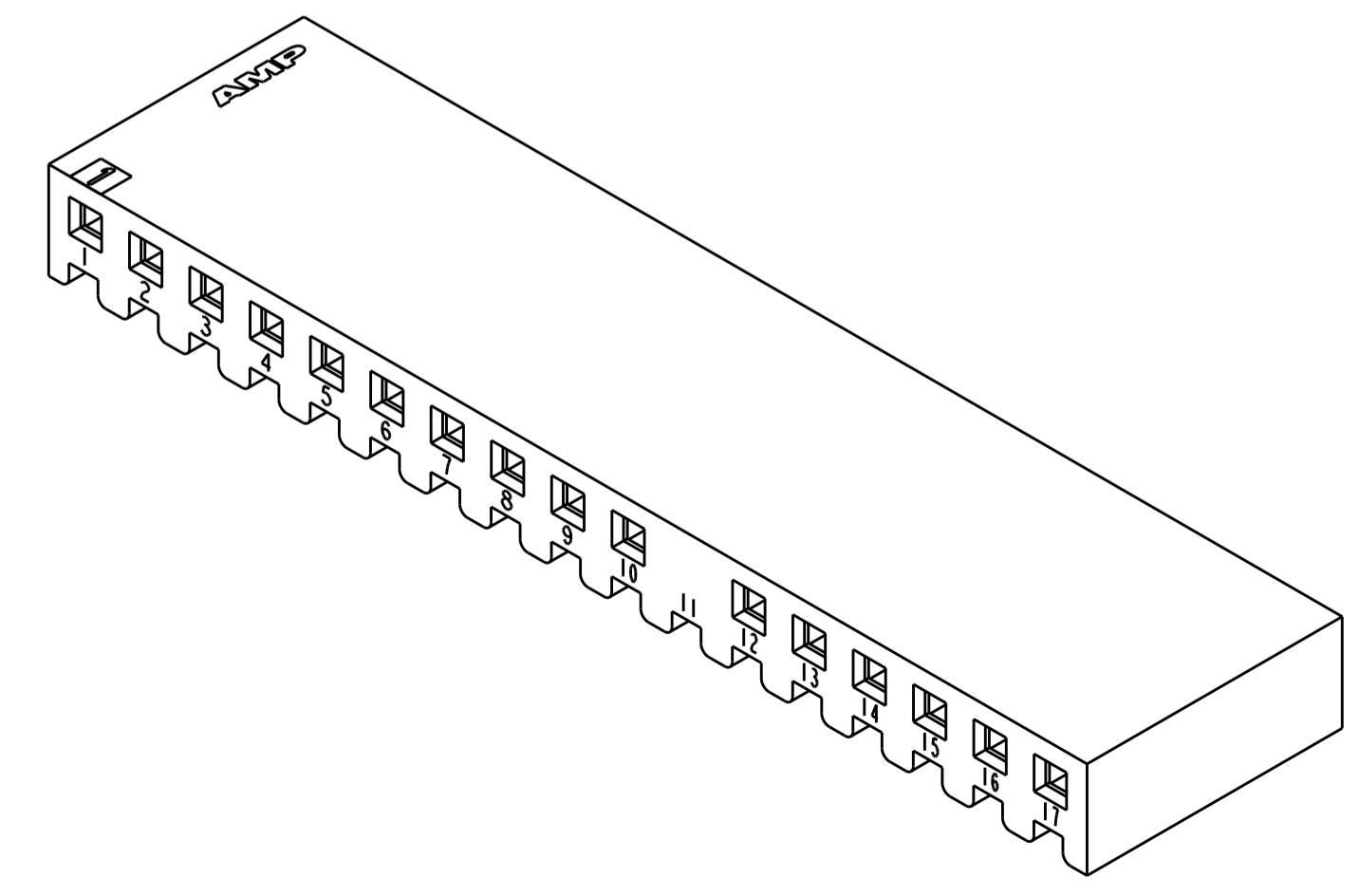
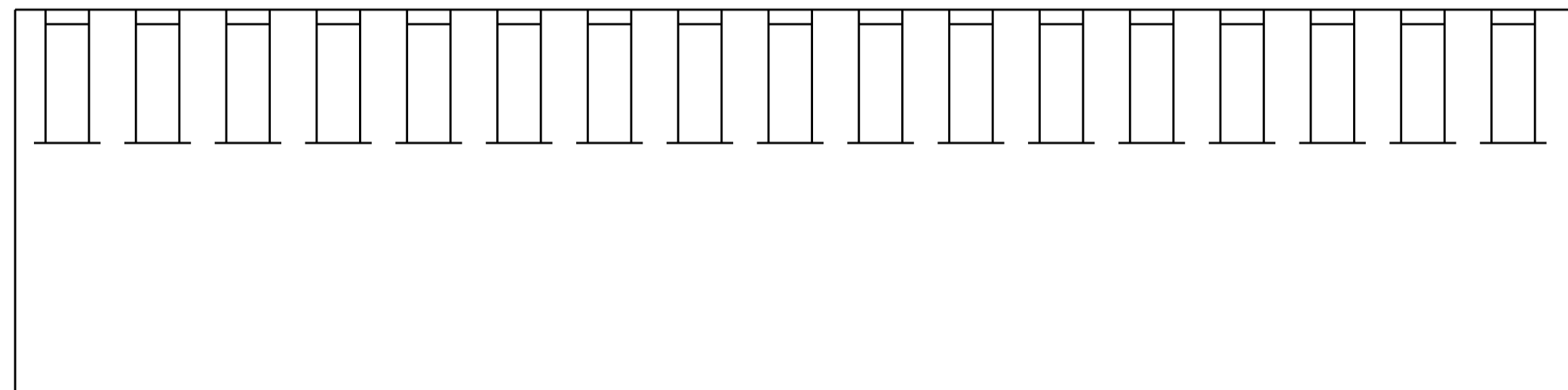
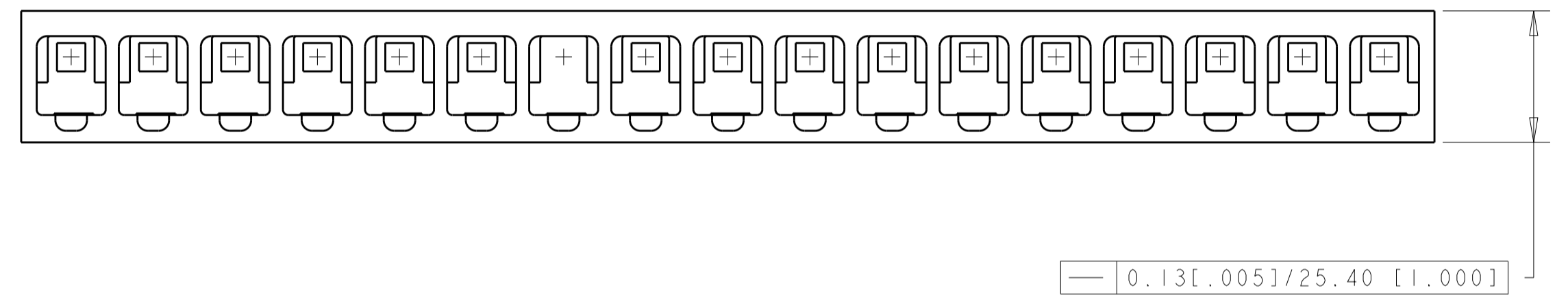


DETAIL A  
 SCALE 4:1

1. UNIT ACCEPTS 1.14 [0.045] SQUARE OR ROUND POST.
2. UNIT ACCEPTS STANDARD SL-156 CONTACTS.
3. UNIT ACCEPTS KEYING PLUG 640254-1 AND KEYING PIN 640255-1.
4. CIRCUIT I.D. NUMBER(S) TO BE LOCATED SEQUENTIALLY AS SHOWN OR ONLY NO. 1 CIRCUIT PLACED ON LOCKING RAMP.
5. DIMENSION IN BRACKETS ARE IN INCHES.
6. DETAIL A SHOWS CIRCUIT 11 MOLDED CLOSED. EITHER OPTION 1 OR OPTION 2 MAY BE USED.
7. ACCEPTS UP TO 2.79 [0.110] INSULATION WIRE.



SECTION B-B



3-DIMENSIONAL MODEL  
 SCALE 3:1

17	1-647418-7
NO OF CIRCUITS	PART NUMBER

THIS DRAWING IS A CONTROLLED DOCUMENT.		DWN K. WHITAKER 11-FEB-04	TE Connectivity
DIMENSIONS: mm [ INCHES ]		CHK J. ELLIS 11-FEB-04	
TOLERANCES UNLESS OTHERWISE SPECIFIED:		APVD J. ELLIS 11-FEB-04	NAME HOUSING, WITH LOCKING RAMP, SL-156, FOR LARGE WIRE INSULATION, CIRCUIT 11 BLOCKED
0 PLC ±	1 PLC ±	PRODUCT SPEC	SIZE A100779
2 PLC ±0.13 [0.005]	3 PLC ±	APPLICATION SPEC	CAGE CODE 647418
4 PLC ±	5 PLC ±	RESTRICTED TO	SCALE 4:1 SHEET 1 OF 1 REV B
ANGLES ±40°/30°	FINISH	WEIGHT	CUSTOMER DRAWING
MATERIAL NYLON, UL 94V-0 NATURAL			