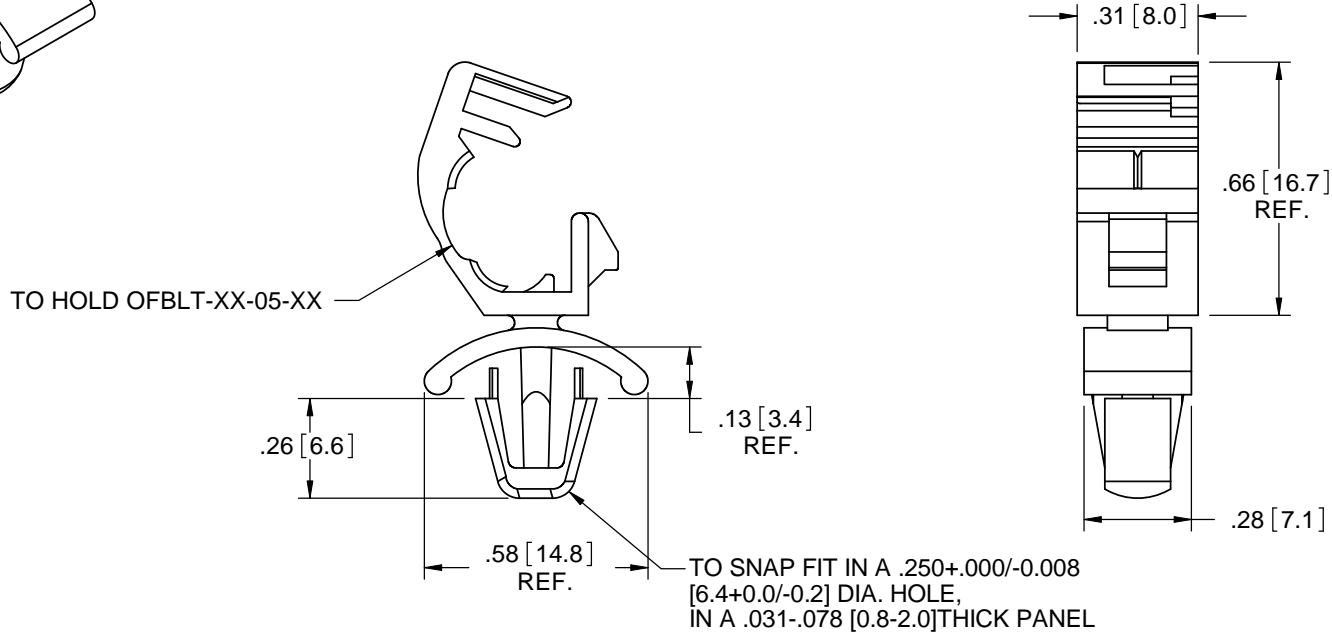


PART NO.	
MATL: NYLON 6/6 (RMS-01), COLOR: NATURAL	MATL: FLAME RET. NYLON 6/6 (RMS-19), COLOR: NATURAL
OFBLT-C1-5-01	OFBLT-C1-5-19



NOTES:  
1. COLOR BLACK AVAILABLE BY SPECIAL ORDER  
TO ORDER ADD "BK" TO END OF PART NO.

TITLE: OPTICAL FIBER BEND LIMITING TUBE CLIP WITH ARROWHEAD FIX						DWG IN IN [MM]	
CREATED USING SOLIDWORKS	FILE #: OFBLT-C1-5	DWN: SM	APP: DJZ	FINAL			
TOLERANCES UNLESS NOTED .XX=±.010 .XXX=±.005 FRAC.=±1/64 ANG.=±1°	SHEET: 1 OF 1	SHEET SIZE: A	DT: 08/28/03	CHKD: SJ	PART #	PRINT TYPE	
RE: RICHCO, INC.	RICHCO, INC. ENG@RICHCO-INC.COM (773) 539-4060	SEE TABLE	CA				

B	ADDED COLOR BLACK. SEE CO 200568	SK	08/04/10
A	CREATED FROM RIUK DWG. REV. 1; RELEASED FOR PRODUCTION	SM	09/04/03
REV.	DESCRIPTION	ENGR.	DATE