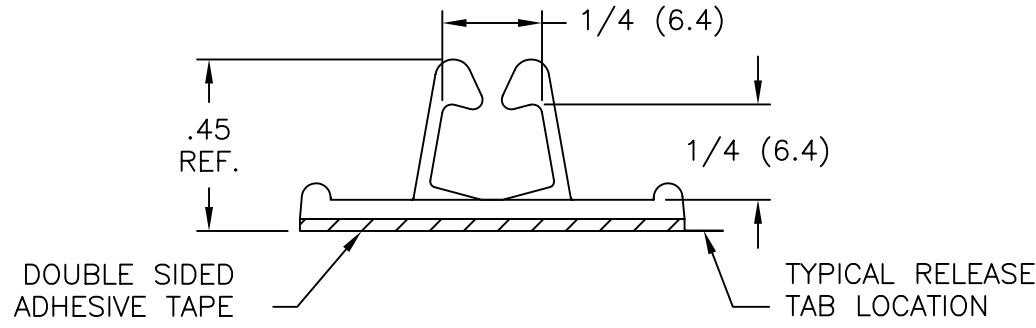
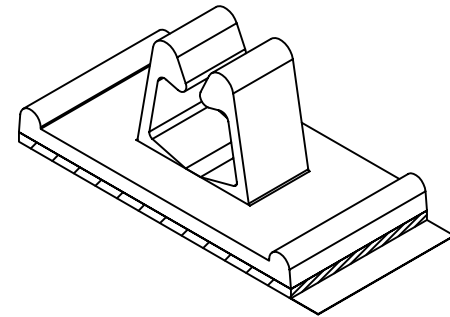
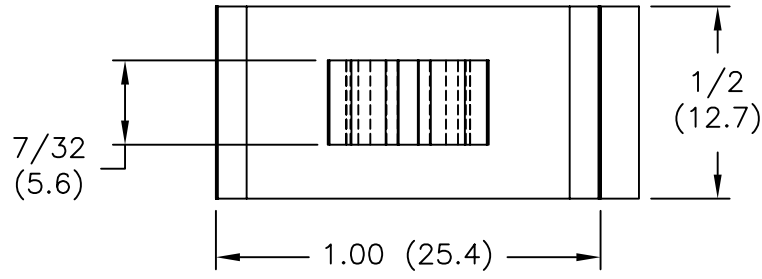


PART NO.	
WCB-250-01A-RT	W/TAPE
WCB-250-01	W/O TAPE



NOTES:

1. MATERIAL: NYLON 6/6 (RMS-01).  
FLAME RETARDANT NYLON (RMS-19),  
AVAILABLE BY SPECIAL ORDER ONLY.
2. COLOR: NATURAL.
3. TAPE: 1/32 (0.8) THICK,  
DOUBLE SIDED ADHESIVE (RMS-15).

B	COMPLETELY RE-DRAWN & CHANGED FILE NO.	SM 10.05.01
A	DIM. .446 REF. ADDED	J.L. 4.17.98
REV	DESCRIPTION	ENGR DATE

TITLE: WIRE CLIP ON BASE				⊕	≡	DWG IN IN (MM)	QR
TOLERANCES UNLESS NOTED .XX=±.010 .XXX=±.005 FRAC=±1/64 ANG=±1°	FILE # WCB-250	DWN: P.B.	APP:	FINAL			
	MAT'L: SEE NOTES	DT: 12-21-95	DT:	PART #		PRINT	
	RE: RICHCO, INC.	RICHCO INC. PO BOX 804238, CHICAGO, 60680 (773) 539-4060		SEE TABLE		TYPE CA	