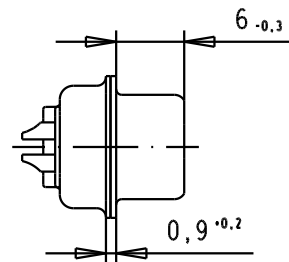
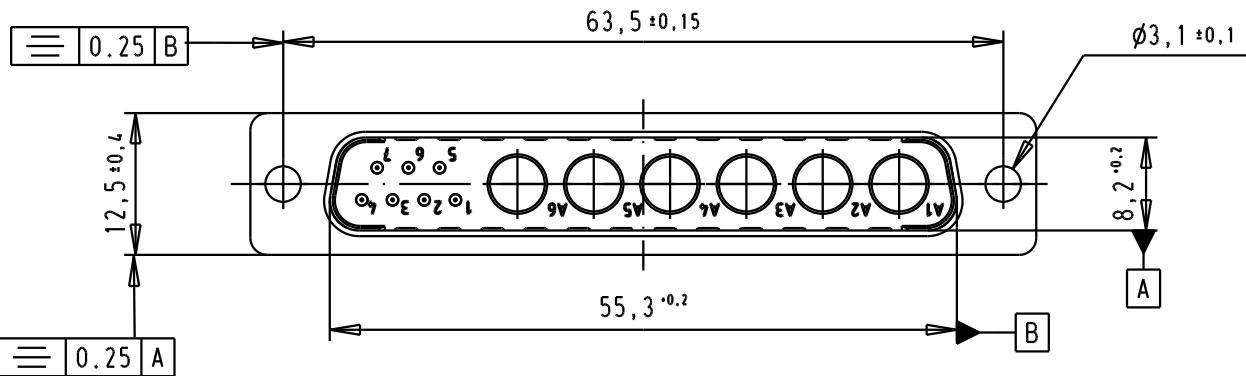
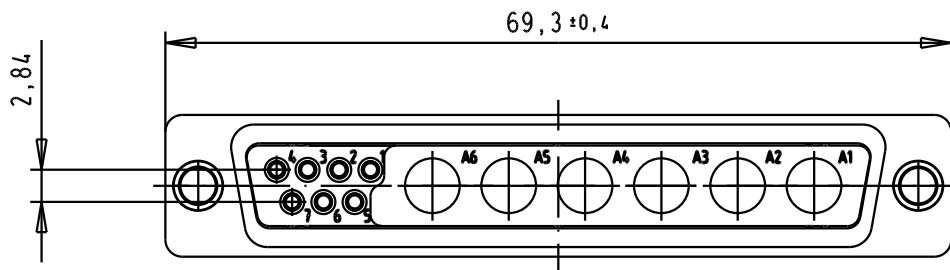
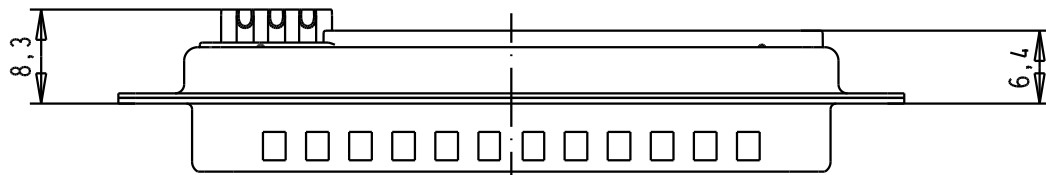


5 4 3 2 1



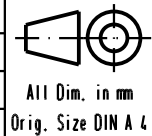
Solder buckets for AWG 20 Max



09 69 411 7136	PL3
09 69 411 5136	S4
Part number	Performance level

33108	23/09/05	JMDR
Mod.	Dat.	Name

	Dat.	Name
Detail.	23/09/05	JMDR
Insp.		
Stand.		
HARTING EURL F-95972 Paris		



D-sub, male, straight, 13W6 without power contact, solder buckets data contacts, tin plated shell with dimples and holes	
TB 09 69 411 x136	
Sub.	

Maßstab/ Scale	1,5:1
Blatt/ Page	1/1