

PART NUMBER	ITEM ① BCDY	ITEM ② CONTACT	ITEM ③ INSULATOR	ITEM ④ SEAL RING	ITEM ⑤ FLAT WASHER	ITEM ⑥ NUT
142-0593-401	BRASS GOLD PL .00001 MIN OVER NICKEL PL .00005 MIN OVER COPPER PL .00005 MIN	BERYLLIUM COPPER GOLD PL .00003 MIN OVER NICKEL PL .00005 MIN OVER COPPER PL .00005 MIN	TEFLON	SILICONE RUBBER	BRASS GOLD PL .00001 MIN OVER NICKEL PL .00005 MIN OVER COPPER PL .00005 MIN	BRASS GOLD PL .00001 MIN OVER NICKEL PL .00005 MN OVER COPPER PL .00005 MIN
142-0593-406	BRASS NICKEL PL .0001 MIN OVER COPPER PL .00005 MIN	BERYLLIUM COPPER GOLD PL .00003 MIN OVER NICKEL PL .00005 MIN OVER COPPER PL .00005 MIN	TEFLON	SILICONE RUBBER	BRASS NICKEL PL .0001 MIN OVER COPPER PL .00005 MIN	BRASS NICKEL PL .0001 MIN OVER COPPER PL .00005 MIN

DRAWING NO.
C - 142-0593-401/410

0 REVISIONS

ENGINEERING RELEASE

01 01-29-90 E J R A W 02-05-90 ECO 24293

ADDED: 115° C HIGH TEMP TO THERMAL SHOCK SPEC.

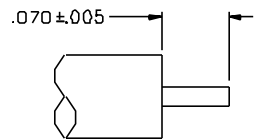
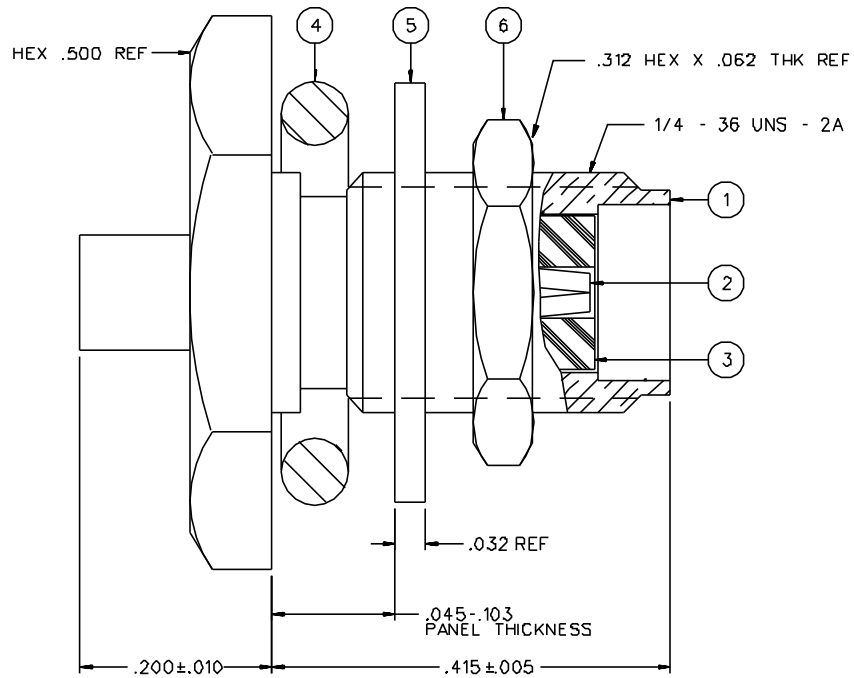
02 02-27-90 E J R A W 3-8-90 ECO 24404

CHANGED: SILICONE RUBBER WAS BUNA N, HEX .500 REF WAS HEX .500+.010, .415+.005 WAS .415+.010, DIA .241-.003 WAS DIA .241-.000+.005, DIA .258+.005 WAS DIA .258+.000+.005, 10GHz WAS 9 - 12.4 GHz, .070 WAS .085
 DELETED: .615+.010, .539+.010
 ADDED: .200+.010, .045-.103 PANEL THICKNESS, .032 REF, .312 HEX X .062 THK REF, 1/4 - 36 UNS - 2A

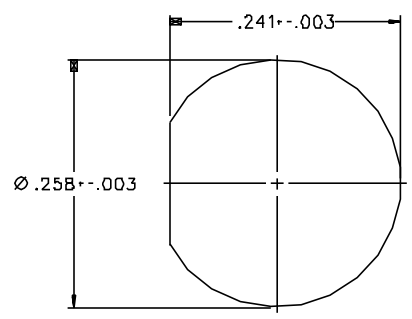
03 11-8-90 R H B 11-9-90 ECO 24970

VERSION UPDATE

04 9-9-91 D B 9-10-91 ECO 40500



CABLE STRIP DIMENSION



MOUNTING HOLE

NOTES:

- SPECIFICATIONS:
 - IMPEDANCE: 50 OHMS
 - FREQUENCY RANGE: 0-18 GHz
 - VSWR: 1.07+.008 F MAX (F IN GHz)
 - WORKING VOLTAGE: 335 VRMS MAX AT SEA LEVEL
 - DIELECTRIC WITHSTANDING VOLTAGE: 1000 VRMS MIN AT SEA LEVEL
 - INSULATION RESISTANCE: 5000 MEGOHM MIN
 - CONTACT RESISTANCE:
 - CENTER CONTACT - INITIAL 3.0 MILLIOHM MAX, AFTER ENVIRONMENTAL 4.0 MILLIOHM MAX
 - OUTER CONDUCTOR - INITIAL 2.0 MILLIOHM MAX AFTER ENVIRONMENTAL NOT APPLICABLE
 - BODY TO CABLE - 0.5 MILLIOHM MAX
 - CORONA LEVEL: 250 VOLTS MIN AT 70,000 FEET
 - INSERTION LOSS: .03V/F (F IN GHz) AT 10 GHz
 - RF LEAKAGE: -90 DB MIN AT 2 TO 3 GHz
 - RF HIGH POTENTIAL WITHSTANDING VOLTAGE: 670 VRMS MIN AT 5 TO 7.5 MHz
- MECHANICAL:
 - ENGAGE/DISENGAGE TORQUE: 2 INCH-POUNDS MAX
 - MATING TORQUE: 7-10 INCH POUNDS
 - COUPLING PROOF TORQUE: NOT APPLICABLE
 - COUPLING NUT RETENTION: NOT APPLICABLE
 - CONTACT RETENTION: NOT APPLICABLE
 - CABLE ACCEPTABILITY: RC 405 DIA .086 SEMIRIGID
 - CABLE HEX CRIMP SIZE: NOT APPLICABLE
 - CABLE RETENTION: 30 LBS MIN AXIAL FORCE
 - 16 INCH-OUNCE MIN TORQUE
 - DURABILITY: 500 CYCLES MIN
- ENVIRONMENTAL:
 - (MEETS OR EXCEEDS THE APPLICABLE PARAGRAPH OF MIL-C-39012)
 - THERMAL SHOCK: MIL-STD-202, METHOD 107, CONDITION B, EXCEPT 115 DEG C HIGH TEMP
 - OPERATING TEMPERATURE: -65 DEG C TO 165 DEG C
 - CORROSION: MIL-STD-202, METHOD 101, CONDITION B
 - SHOCK: MIL-STD-202, METHOD 213, CONDITION I
 - VIBRATION: ML-STD-202, METHOD 204, CONDITION D
 - MOISTURE RESISTANCE: MIL-STD-202, METHOD 106

CUSTOMER DRAWING

THIS DRAWING TO BE INTERPRETED PER ANSI Y 14.5M - 1982

"µSTATION"

COMPANY CONFIDENTIAL

TOLERANCE UNLESS OTHERWISE SPECIFIED	DRAWN BY EJ	DATE 9-13-89	JOHNSON Cinch Connectivity Solutions 299 Johnson Ave. Ste. 100 Worcester, MA 01605 1-800-247-8256	
DECIMALS .XX	CHECKED BY	DATE	TITLE JACK ASSEMBLY STRAIGHT CABLED BULKHEAD SMA, RG 405	
XXX	APPROVED BY GLD	DATE 1-30-90		
MATL	APPROVED BY RJB	DATE 1-30-90	CODE NO.	DRAWING NO. C - 142-0593-401/410
FINISH	RELEASE DATE	DATE 2-5-90	SCALE 10:1	U/W INCH SHEET 2 OF 2