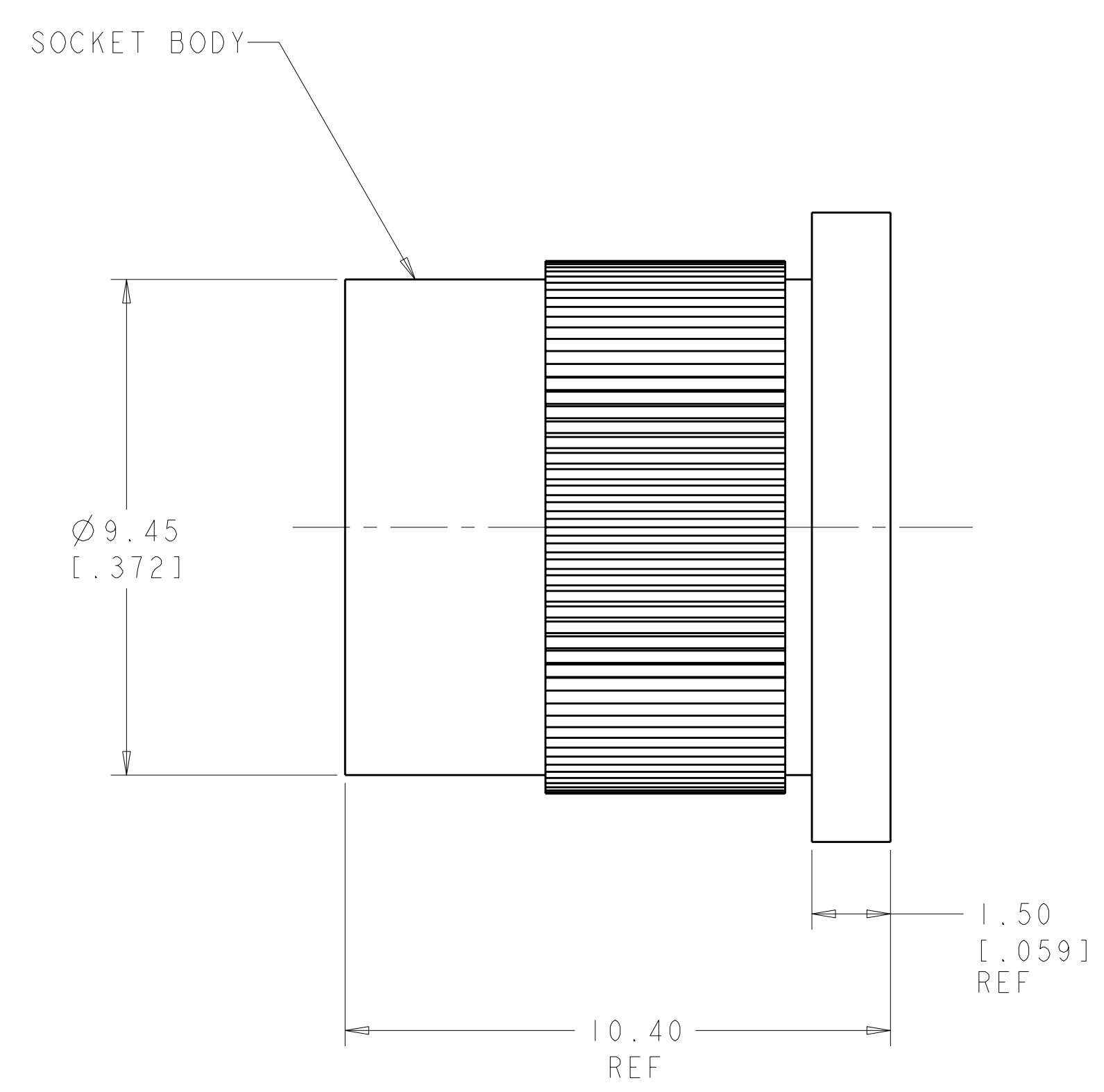
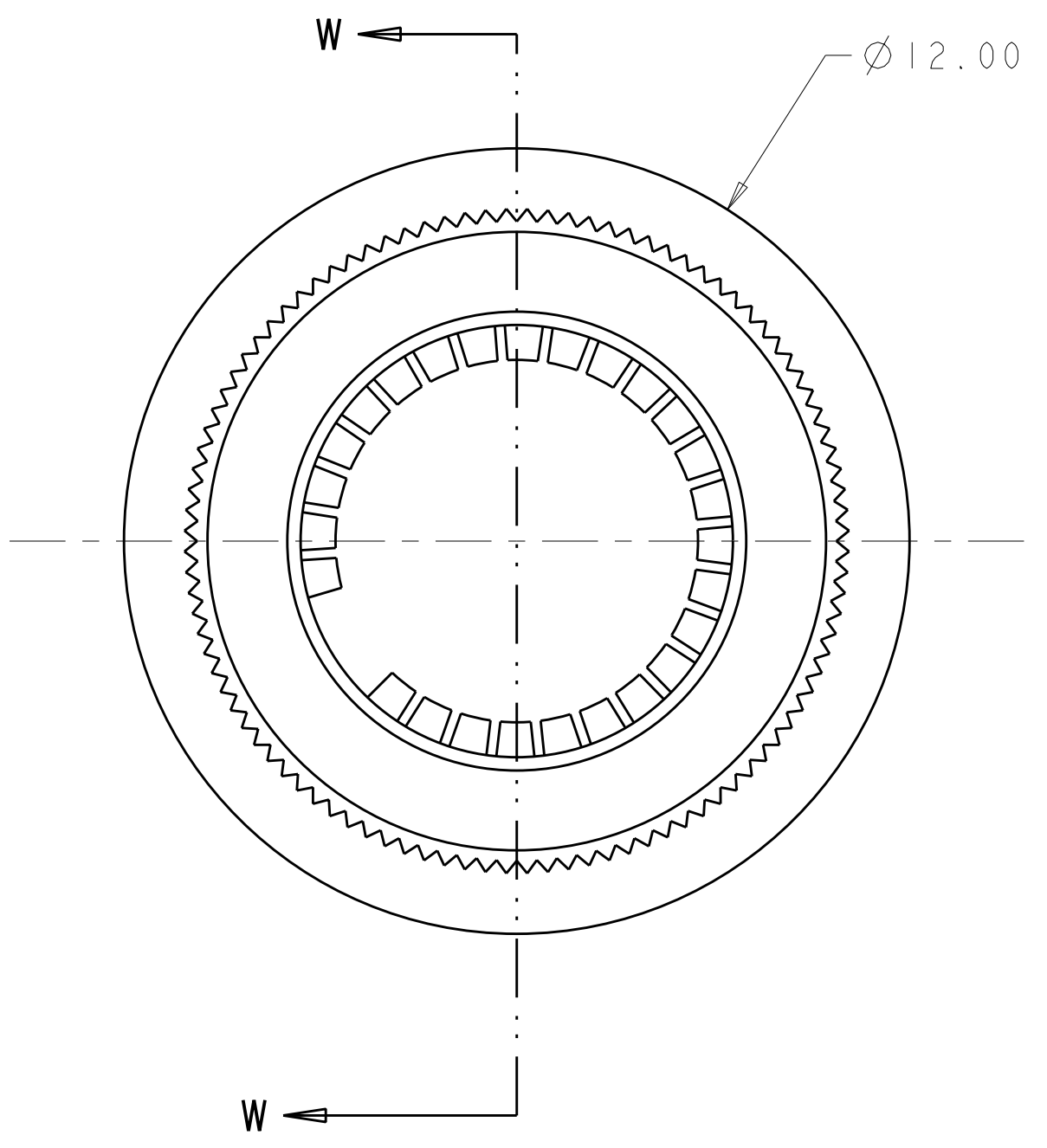
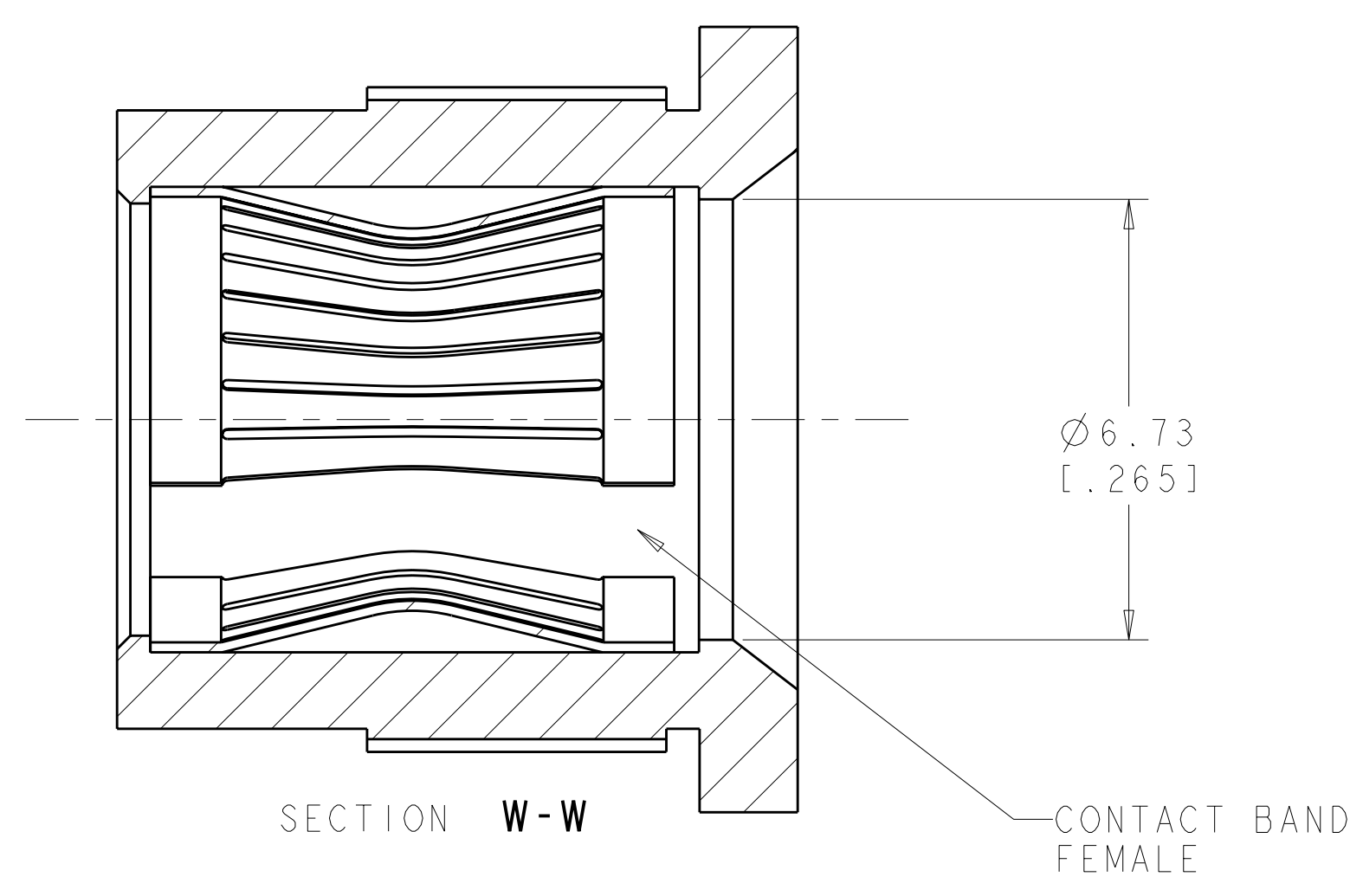


LOC	DIST	REV	DATE	DWN	APVD
GP	00	1	11DEC2007	WVS	GRD
		2	24APR2008	WVS	GRD



- PART NUMBER CHANGES AND/OR DESIGN CHANGES AFFECTING ITEM INTERCHANGEABILITY REQUIRES PRIOR TYCO ELECTRONICS APPROVAL AND AUTHORIZATION BY REVISION TO THIS DRAWING.
- ITEMS PROVIDED TO THIS SPECIFICATION SHALL BE IDENTIFIED ON THE PACKAGE AS FOLLOWS: MANUFACTURER IDENTIFICATION PART NUMBER.
- RECOMENDED BUS BAR HOLE  $\phi 10.03 \pm 0.03$  [ $\phi .395 \pm .001$ ].
- MATES WITH A  $\phi 6.35$  [.250] PIN.
- MATERIAL:  
SOCKET BODY - COPPER ALLOY  
CONTACT BAND - COPPER ALLOY
- FINISH:  
SOCKET BODY - SILVER PLATE OVER NICKEL PLATE OVER ALL  
CONTACT BAND - GOLD PLATE IN CONTACT AREA OVER NICKEL PLATE OVER ALL
- THIS PRODUCT HAS NOT COMPLETED QUALIFICATION TESTING.

AS SHOWN	1926755-1
DESCRIPTION	PART NO

THIS PRINT IS  
**PRELIMINARY**  
 UNQUALIFIED PRODUCT  
 CONTACT PRODUCT ENGINEERING  
 BEFORE USING THIS PRINT

DIMENSIONS: mm [ INCHES ]		TOLERANCES UNLESS OTHERWISE SPECIFIED: 9 PLC $\pm$ 1 PLC $\pm 0.25$ [1.010] 5 PLC $\pm$ 4 PLC $\pm$ ANGLES $\pm 2^\circ$		DWN: WJ-VAN SG/CS 13NOV2007 CHK: G.R. DEB/TRAUGH 13NOV2007 APVD: G.R. DEB/TRAUGH 13NOV2007 PRODUCT SPEC APPLICATION SPEC WEIGHT FINISH		TYCO Electronics Tyco Electronics Harrisburg, PA 17105-3608 ASSEMBLY, #4 SOCKET, BUSBAR, SHORT	
MATERIAL: $\triangle 5$		FINISH: $\triangle 6$		SIZE: A CAGE CODE: 100779 DRAWING NO: C=1926755		RESTRICTED TO SCALE: 4:1 SHEET: 1 OF 1 REV: 2	