

PSD-S OE LED ...

LED permanent light element, 24 V AC/DC



Data sheet
7949_en_01

© PHOENIX CONTACT 2015-05-04

1 Description

This optical signal element is part of a modular signal tower. According to your requirements, a signal tower may comprise any combination of up to five signal elements. You may use up to five optical signal elements or up to four optical and one audible signal element.

An audible signal element can be used as top element only.

A bayonet locking system establishes the mechanical and electrical connection between the elements.

Connection elements with spring-cage or screw connection can be used for electrical connection of the signal tower.

Mounting elements for base or tube mounting can be used to mount the signal tower.

Features

- LED permanent light element for 24 V AC/DC
- Colors: Red, green, yellow, blue and clear
- Degree of protection: IP65, when installed or with cover



Make sure you always use the latest documentation.
It can be downloaded from the product at phoenixcontact.net/products.

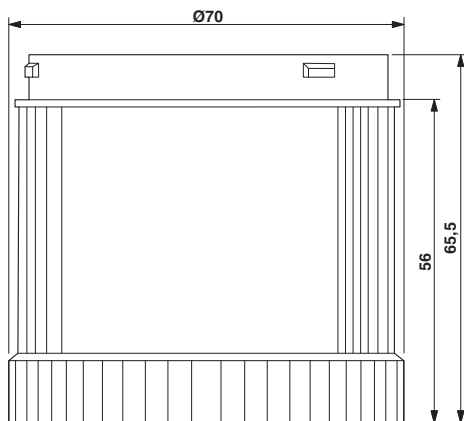
| | | |
|----------|---|---|
| 2 | Table of contents | |
| 1 | Description | 1 |
| 2 | Table of contents | 2 |
| 3 | Ordering data | 3 |
| 4 | Technical data | 3 |
| 5 | Example of a signal tower | 4 |
| 6 | Assembly notes for a signal tower | 4 |
| 7 | Assembling the individual elements..... | 5 |
| 8 | Example for signal tower dimensions | 5 |

3 Ordering data

| Description | Type | Order No. | Pcs./Pkt. |
|---|-----------------|-----------|-----------|
| LED permanent light element, 24 V AC/DC, red | PSD-S OE LED RD | 2700107 | 1 |
| LED permanent light element, 24 V AC/DC, green | PSD-S OE LED GN | 2700119 | 1 |
| LED permanent light element, 24 V AC/DC, yellow | PSD-S OE LED YE | 2700122 | 1 |
| LED permanent light element, 24 V AC/DC, clear | PSD-S OE LED CL | 2700127 | 1 |
| LED permanent light element, 24 V AC/DC, blue | PSD-S OE LED BU | 2700131 | 1 |

4 Technical data

Dimensions (in mm)



| | |
|----------|---------|
| Diameter | 70 mm |
| Height | 65.5 mm |

General data

| | |
|---------------------------------|--|
| Material | Polycarbonate PC |
| Calotte color : PSD-S OE LED RD | red |
| Calotte color : PSD-S OE LED GN | green |
| Calotte color : PSD-S OE LED YE | yellow |
| Calotte color : PSD-S OE LED CL | clear |
| Calotte color : PSD-S OE LED BU | blue |
| Weight | 58 g |
| Ambient temperature (operation) | -30 °C ... 50 °C |
| Degree of protection | IP65, when installed or with cover |
| Mounting position | any |
| Connection | Rubber seal pre-installed for each element |

Electrical data

| | |
|---------------------|-----------------|
| Input voltage | 24 V AC/DC |
| Inrush current | max. 500 mA |
| Current consumption | 30 mA |
| Optical signal type | Permanent light |

Electrical data

| | |
|--------------------------|----------------|
| Source of light type | LED |
| Service life, electrical | max. 100,000 h |
| Operating time | 100 % |

Approvals / conformities

Conformance with EMC Directive 2004/108/EC

For the latest approvals, please visit phoenixcontact.net/products.

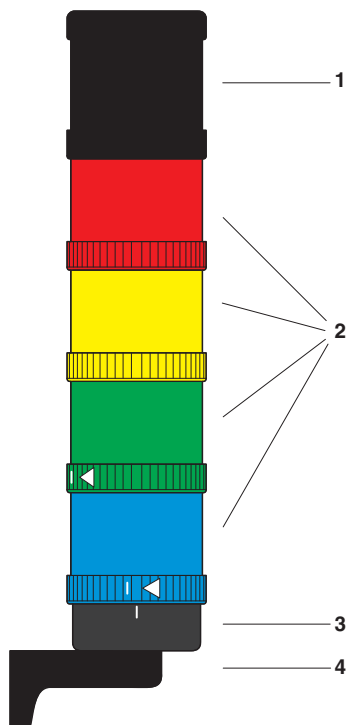
5 Example of a signal tower

Figure 1 Example of a signal tower

Key:

- 1 Audible signal element
- 2 Optical signal element
- 3 Connection element
- 4 Assembly element

6 Assembly notes for a signal tower

- Only use a maximum of five elements within a signal tower.
- Use only one audible element in a signal tower and position this element on top.
- When closing the bayonet locking system, observe the markings (see "Assembling the individual elements").

7 Assembling the individual elements

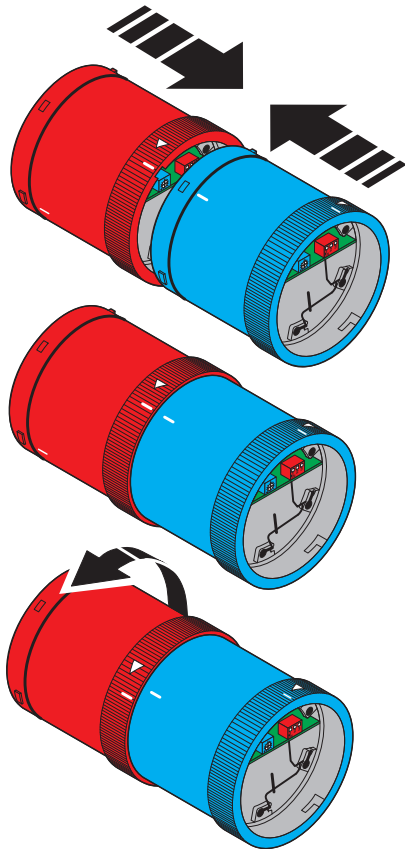


Figure 2 Assembling the individual elements

- Select the elements for your application.
- Connect the elements to be assembled so that the markings are aligned.
- Turn the upper element in the direction of the arrow.

8 Example for signal tower dimensions

The following figure shows the dimensions of a typical signal tower.

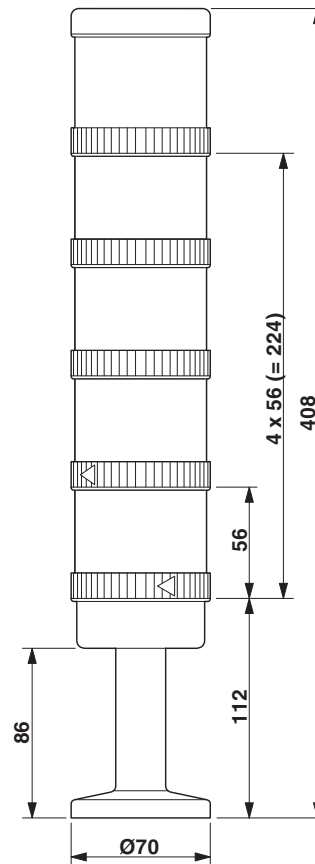


Figure 3 Dimensions of a signal tower (example)