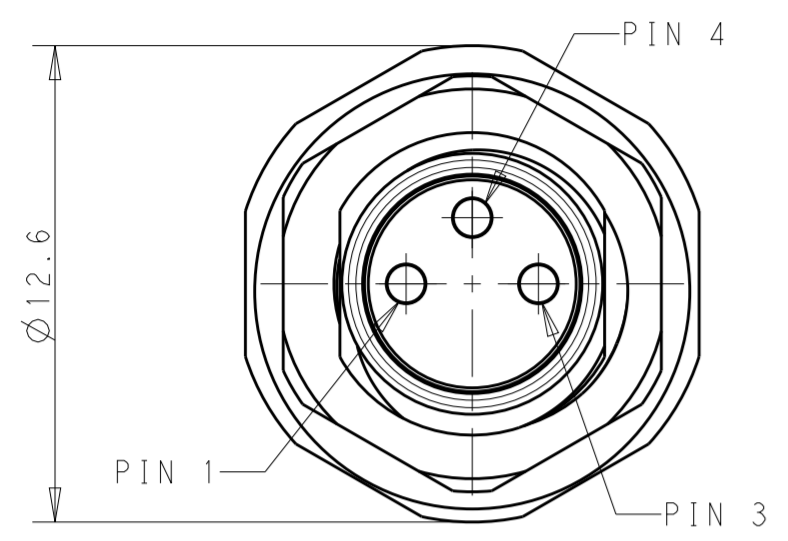
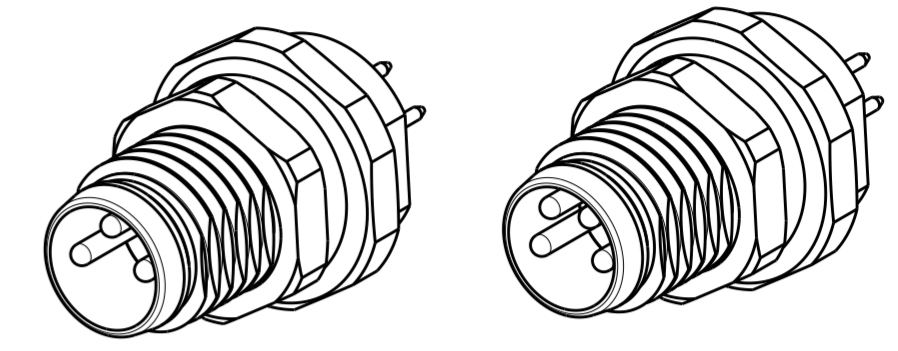
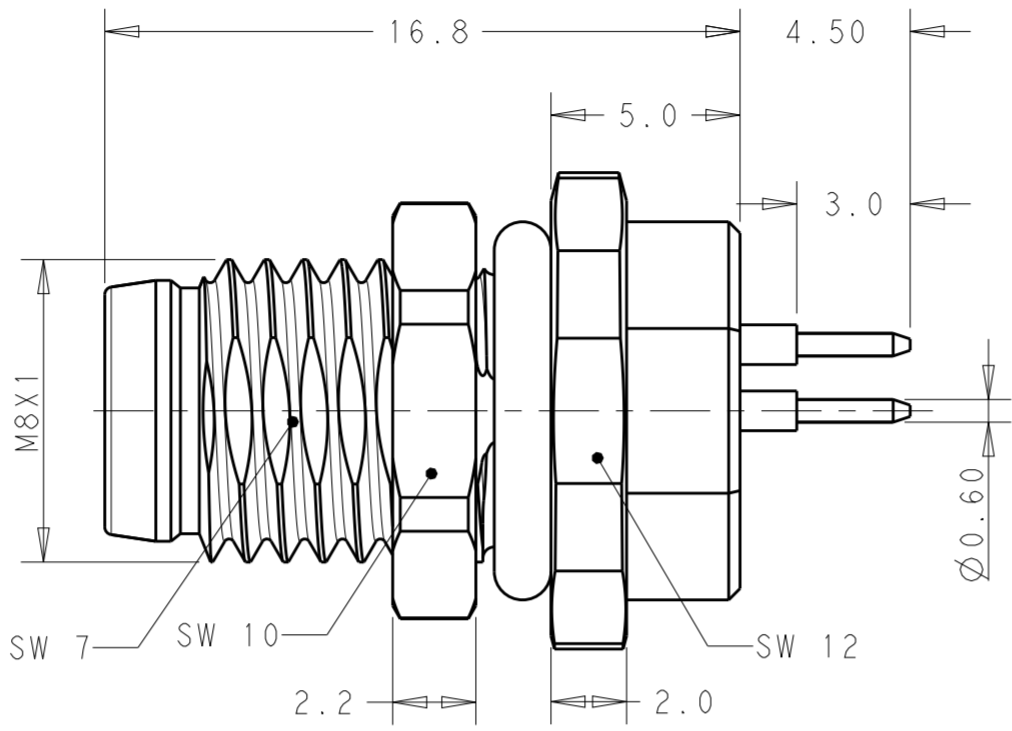


THIS DRAWING IS UNPUBLISHED. RELEASED FOR PUBLICATION 20
 © COPYRIGHT 20 BY - ALL RIGHTS RESERVED.

REVISIONS				
P	LTR	DESCRIPTION	DATE	APVD
A		INITIAL RELEASE	19DEC2016	N.P X.X



VIEW A
3POS.

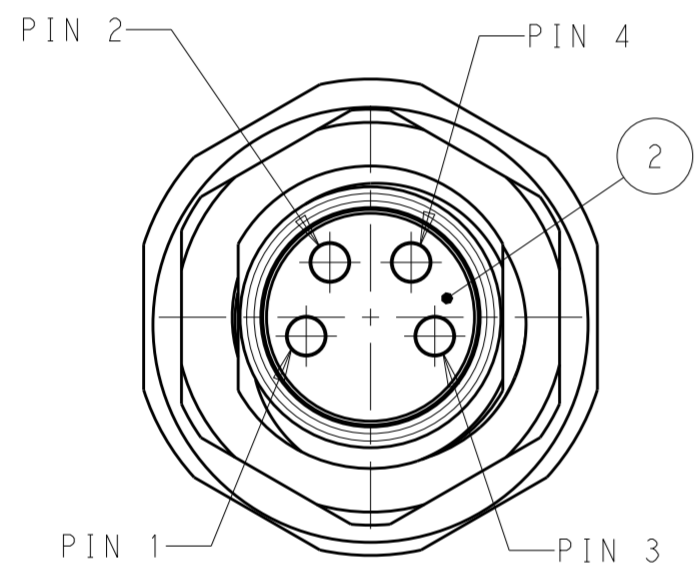


NOTES:

1. TECHNICAL DATA: SEE TABLE 1
2. PIN ASSIGNMENT SEE VIEW A.
3. ALL PRODUCT MUST COMPLIANCE WITH ROHS AND REACH.

注意事项

1. 技术参数：见表1
2. 端子分布见视图A；
3. 产品必须符合ROHS与REACH。



VIEW A
4POS.

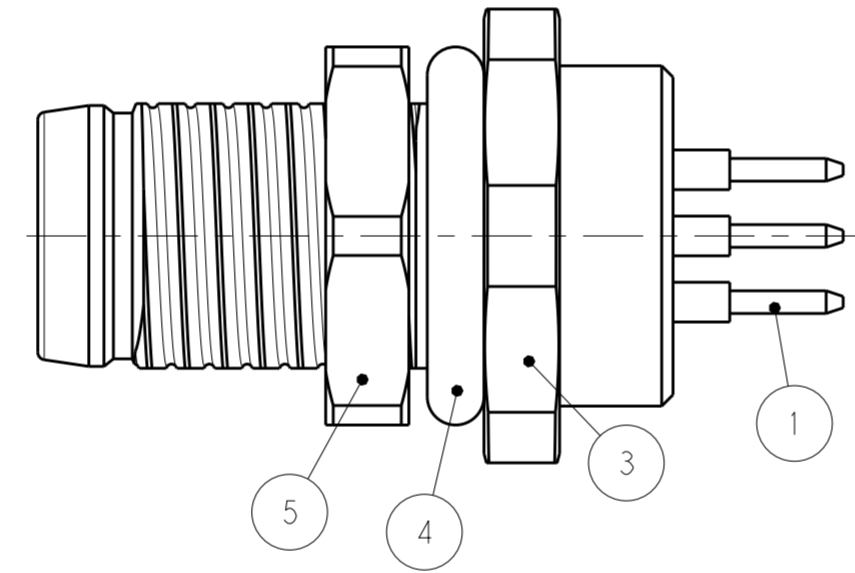
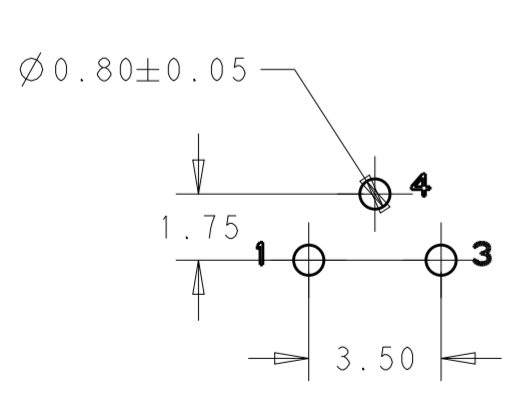


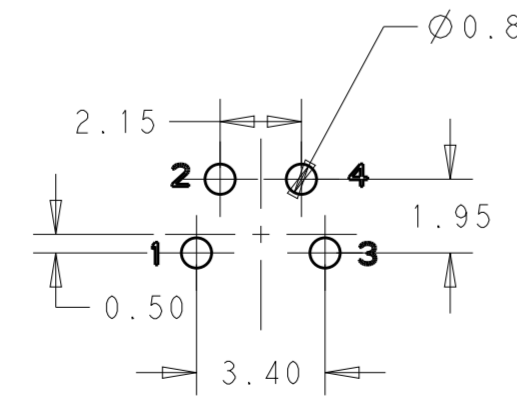
TABLE 1

TECHNICAL DATA	T4040014031-000	T4040014041-000
RATED IMPULSE VOLTAGE	1500V	800V
RATED VOLTAGE	60V	30V
RATED CURRENT	3A	
OVERVOLTAGE CATEGORY	II	
MATERIAL GROUP	II	
DEGREE OF PROTECTION	IP67	
TEMPERATURE	-40°C~85°C	

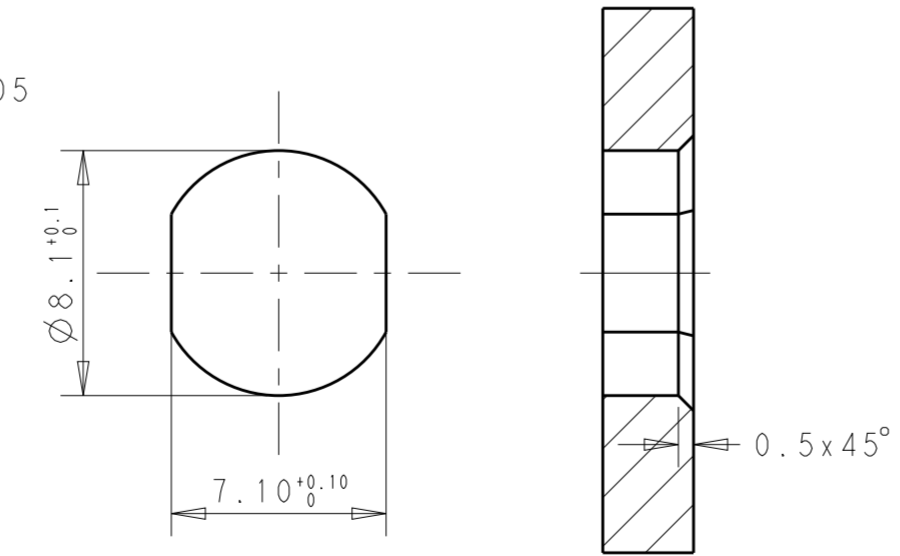


3POS.

RECOMMENDED PCB LAYOUT
PCB THICKNESS: 1.6mm



4POS.



PANEL THICK 2.5~4.0mm
RECOMMENDED PANEL THICK

MATERIAL	DESCRIPTION	ITEM
COPPER ALLOY	NUT	5
RUBBER	O-RING	4
COPPER ALLOY	BODY NUT	3
PA66 UL94-V0	HOUSING	2
GOLD PLATED	CONTACT	1

TYPE	POS.	PART NUMBER
RPC-M8-MF-4CON-M10-LBU	4	T4040014041-000
RPC-M8-MF-3CON-M10-LBU	3	T4040014031-000

THIS DRAWING IS A CONTROLLED DOCUMENT.		DWN Nick Pan 30NOV2016
DIMENSIONS: mm		CHK Kobby Zhao 30NOV2016
TOLERANCES UNLESS OTHERWISE SPECIFIED:		APVD Xiang Xu 30NOV2016
0 PLC ±	1 PLC ±0.25	PRODUCT SPEC 108-106140
2 PLC ±0.15	3 PLC ±	APPLICATION SPEC 114-137144-1
4 PLC ±	ANGLES ±	WEIGHT -
MATERIAL TBD	FINISH -	CUSTOMER DRAWING
material_2	finish_spec_2	

STE TE Connectivity

NAME: M8 PANEL PCB CONNECTOR MALE SIDE REAR MOUNTING

SIZE A2	CAGE CODE -	DRAWING NO. T40400140X1000	RESTRICTED TO -
SCALE 3:1	SHEET 1 OF 1	REV A	