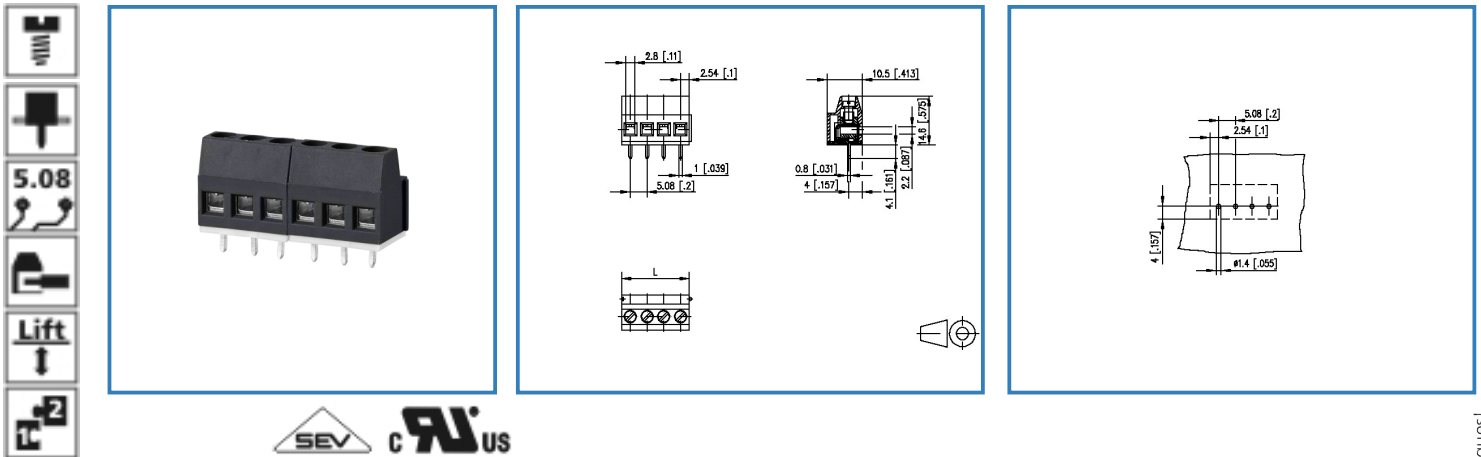


# Data Sheet

## RT056xxHBLU

### Illustration



see enlarged drawing at the end of the document

### Product specification

- screw type terminal block, solderable
- centerline 5.08 mm, direction of connection 90°
- lift system, modular
- color black

# Data Sheet

## RT056xxHBLU

### Technical Data



#### General Data

Tightening torque SEV	0.5 Nm		
Tightening torque UL	8 lb-in		
Solder pin length	4.1 mm		
min. number of poles	2		
max. number of poles	3		
Insulating material class	CTI 600		
clearance/creepage dist.	3.9 mm		
protection category	IP 20		
Overvoltage category	III	III	II
Pollution degree	3	2	2
Rated voltage	160.0 V	400.0 V	400.0 V
Rated test voltage	2.5 kV	2.5 kV	2.5 kV

#### Connection data

Rated wiring solid wire	0.34 - 2.5 mm <sup>2</sup> / AWG 28 - 12
Rated wiring stranded wire	0.34 - 2.5 mm <sup>2</sup> / AWG 28 - 12

#### Approvals

 V / A / AWG	300 / 15 / 22 - 14
 1.5 mm <sup>2</sup>	250 V / 17.5 A / T60

#### Material

insulating material	PA66
flammability class	V0
contact material	CuZn
Glow-Wire Flammability GWFI	960
Glow-Wire Flammability GWIT	775
contact surface	Ni + Sn
terminal body material	CuZn
terminal body surface	Ni
screw surface	Zn Cr(VI)-frei/free



# Data Sheet

## RT056xxHBLU

screw thread	M3
--------------	----

### Climatic properties

upper limit temperature	105 °C
lower limit temperature	-40 °C

### General

solderability	Acc. to JEDEC JESD22-B102E 245°C/5s
Tolerance	ISO 2768 -mH

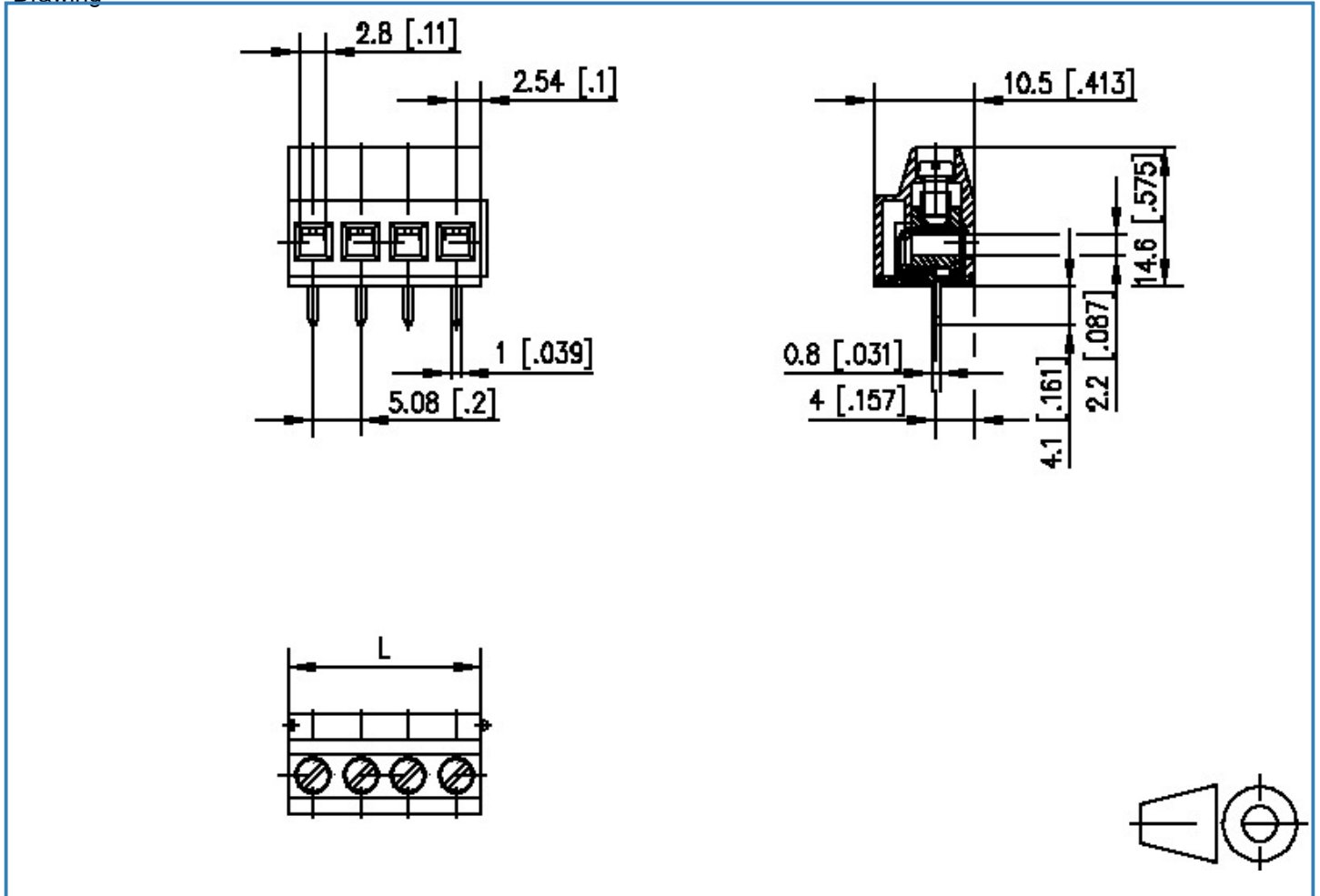


# Data Sheet

## RT056xxHBLU

### Illustration

Drawing



$L = (\text{pole size} - 1) \times \text{centerline} + 5.08 [0.2]$

# Data Sheet

## RT056xxHBLU

Page 5/5

P/N

310151xx

xx=number of poles

2017/05/04

### PCB Layout

