

MATERIALS AND FINISHES

BODY ZINC ALLOY  
PLATED NICKEL

HOUSING PLOYESTER BUTYLENE TEREPHTALATE  
COLOR: BLACK

CENTER CONTACT PHOSPHOR BRONZE  
PLATED GOLD

INSULATOR POLYPROPYLENE (94-V2)

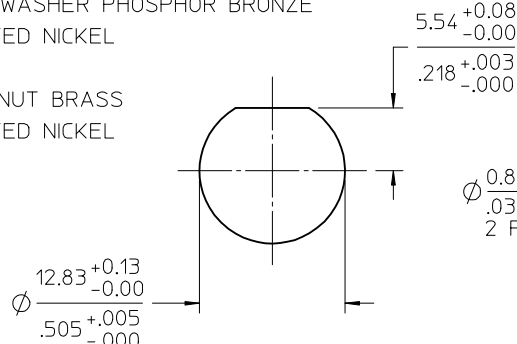
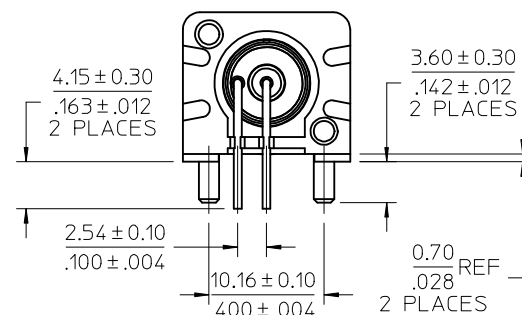
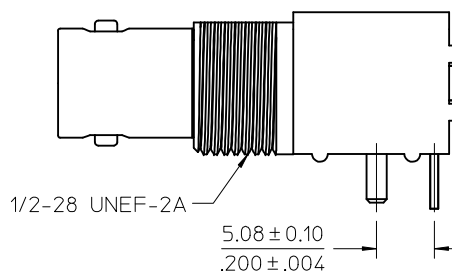
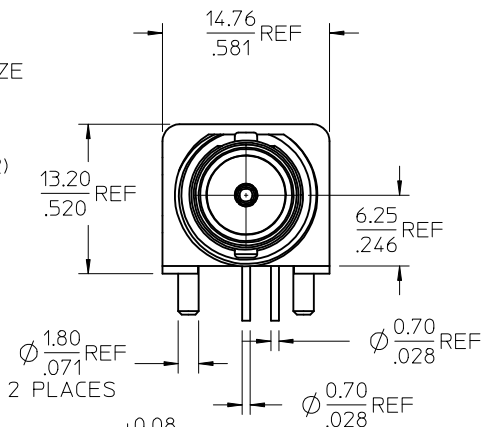
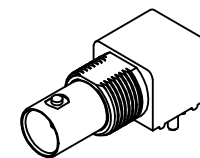
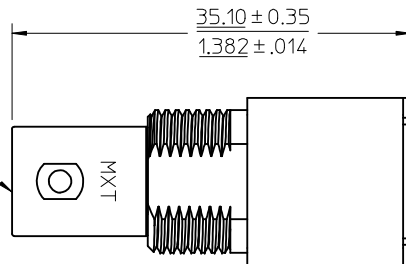
MOUNTING POST BRASS  
PLATED TIN

SOLDER TAIL BRASS WIRE  
PLATED TIN

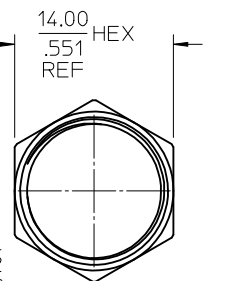
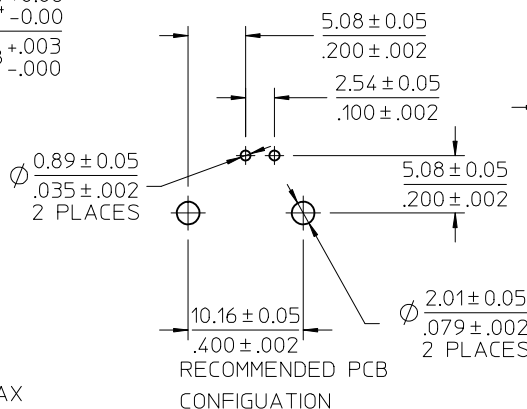
LOCKWASHER PHOSPHOR BRONZE  
PLATED NICKEL

JAM NUT BRASS  
PLATED NICKEL

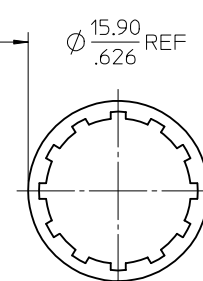
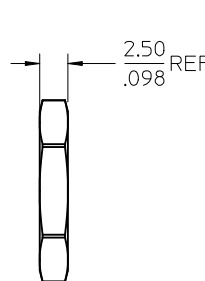
BNC JACK  
INTERFACE



RECOMMENDED MOUNTING HOLE  
PANEL THICKNESS: 5.50(.217) MAX  
RECOMMENDED MOUNTING TORQUE:  
0.56 N( 5 INCH-LBS) MAX



JAM NUT



LOCKWASHER

ES-73599-0000	INTERFACE
PS-73598-0051	PRODUCT SPECIFICATION
SPECIFICATION	DESCRIPTION

73171-6090	73100-0067 W/O NUT AND WASHER, PACKAGE BY TRAY
73171-2980	73100-0067, ONE PER BAG
73100-0067	PLASTIC TRAYS
PART NO.	PACKAGING

ADDED P/N 73171-6090

EC NO: URF2009-0317	2008/12/11
DRW: INELIN	2008/12/16
CHKD: APPR: MHUANG	2008/12/16
REV	DESCRIPTION
A2	

GENERAL TOLERANCES (UNLESS SPECIFIED)	
4 PLACES ±	mm INCH
3 PLACES ±	mm INCH
2 PLACES ±	mm INCH
1 PLACE ±	mm INCH
ANGULAR ± 2 °	
DRAFT WHERE APPLICABLE MUST REMAIN WITHIN DIMENSIONS	

DIMENSION STYLE	
MM/IN	
DRAWN BY	DATE
C.M. HUNG	1993/02/01
CHECKED BY	DATE
APPROVED BY	DATE
KWH	1993/04/01
MATERIAL NO.	DOCUMENT NO.
SEE TABLE	SD-73100-0067

SCALE	DESIGN UNITS	THIRD ANGLE PROJECTION
	METRIC	
TITLE		
BNC JACK, R/A, PCB RECEPTACLE, 75 OHMS BNC-J/RA/PCB		
MOLEX INCORPORATED		
SHEET NO.		1 OF 1
THIS DRAWING CONTAINS INFORMATION THAT IS PROPRIETARY TO MOLEX INCORPORATED AND SHOULD NOT BE USED WITHOUT WRITTEN PERMISSION		